

KL1382 | Bus Terminal, 2-channel digital input, thermistor, 24 V DC, 30 ms

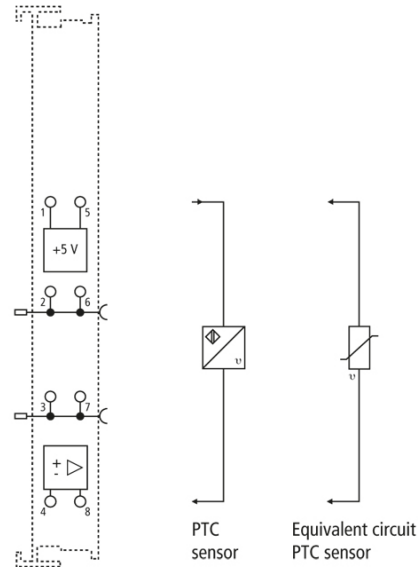
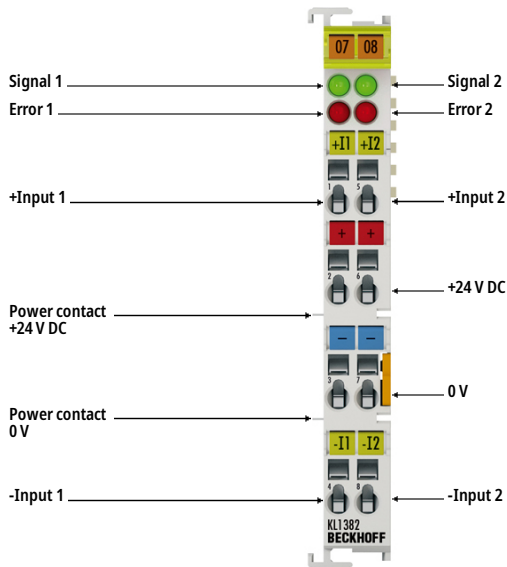
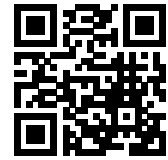


Image similar, may contain optional accessories

i **Product status:** regular delivery

The KL1382 digital input terminal analyzes the input signal from thermistor sensors with the aid of a current loop and a voltage of < 5 V. The bus terminal has two channels. The KL1382 is a monitoring device for thermal machine protection by PTC sensors and for the direct monitoring of motors, bearings and plants. In addition to the switching state, open circuit or short circuit is also detected. The LEDs display the signal states or any error states.

Special features:

- suitable as a monitoring device for thermal machine protection, e.g. PTC sensors
- direct monitoring of motors, bearings and plants with thermistor sensors
- possibility to diagnose open circuit and short circuit

Product information

Technical data

Technical data	KL1382
Connection technology	2-wire
Specification	thermistor PTC
Number of inputs	2
Nominal voltage	24 V (-15%/+20%)

"0" signal voltage	≤ 1.5 kΩ
"1" signal voltage	≥ 3 kΩ
Signal "0" release	≤ 1.5 kΩ
Signal "1" excess temperature	≥ 3 kΩ
Sensor voltage	≤ 5 V
Diagnostics	open-circuit monitoring > 8 kΩ, short-circuit diagnostic < 25 Ω
Input filter	30 ms
Current consumption K-bus	typ. 60 mA
Electrical isolation	500 V (K-bus/field potential)
Bit width in the process image	4 inputs
Configuration	no address or configuration setting
Special features	monitoring device for thermal machine protection
Weight	approx. 55 g
Storage temperature	-40...+85°C
Operating temperature	-25...+60°C
Relative humidity	95%, no condensation
Vibration/shock resistance	conforms to EN 60068-2-6/EN 60068-2-27
EMC immunity/emission	conforms to EN 61000-6-2/EN 61000-6-4
Protect. rating/installation pos.	IP20/variable
Plug-in wiring level	for all KSxxxx Bus Terminals
Approvals/markings	CE, CCC, UL, ATEX, IECEX, DNV
Ex marking	ATEX: II 3 G Ex ec IIC T4 Gc IECEX: Ex ec IIC T4 Gc

Housing data	KL-12-8pin	KS-12-8pin
Design form	compact terminal housing with signal LEDs	terminal housing with pluggable wiring level
Material	polycarbonate	
Installation	on 35 mm DIN rail, conforming to EN 60715 with lock	
Side by side mounting by means of	double slot and key connection	
Marking	labeling of the BZxxxx series	
Wiring	solid conductor (s), flexible conductor (st) and ferrule (f): spring actuation by screwdriver	

Connection cross-section	s*: 0.08...2.5 mm ² , st*: 0.08...2.5 mm ² , f*: 0.14...1.5 mm ²	s*: 0.08...1.5 mm ² , st*: 0.08...1.5 mm ² , f*: 0.14...1.5 mm ²
Connection cross-section AWG	s*: AWG28...14, st*: AWG28...14, f*: AWG26...16	s*: AWG28...16, st*: AWG28...16, f*: AWG26...16
Stripping length	8...9 mm	9...10 mm
Current load power contacts	I _{max} : 10 A	
Dimensions (W x H x D)	12 mm x 100 mm x 68 mm	

*s: solid wire; st: stranded wire; f: with ferrule

Ordering information

Ordering information	
KL1382	Bus Terminal, 2-channel digital input, thermistor, 24 V DC, 30 ms
KS1382	Bus Terminal, 2-channel digital input, thermistor, 24 V DC, 30 ms, pluggable wiring level