

SIEMENS

SIMATIC HMI

Industrial Thin Clients ITC V3, ITC V3 PRO

Operating Instructions



Preface

Overview

1

Safety instructions

2

Installing and connecting the device

3

Operating the device

4

ITC Operating mode

5

SINUMERIK operating mode

6

Device maintenance and repair

7

Technical specifications

8

Technical Support

A

Markings and symbols

B

Abbreviations

C

Firmware version V3.2

06/2023

A5E42761061-AE

Legal information

Warning notice system

This manual contains notices you have to observe in order to ensure your personal safety, as well as to prevent damage to property. The notices referring to your personal safety are highlighted in the manual by a safety alert symbol, notices referring only to property damage have no safety alert symbol. These notices shown below are graded according to the degree of danger.

DANGER

indicates that death or severe personal injury **will** result if proper precautions are not taken.

WARNING

indicates that death or severe personal injury **may** result if proper precautions are not taken.

CAUTION

indicates that minor personal injury can result if proper precautions are not taken.

NOTICE

indicates that property damage can result if proper precautions are not taken.

If more than one degree of danger is present, the warning notice representing the highest degree of danger will be used. A notice warning of injury to persons with a safety alert symbol may also include a warning relating to property damage.

Qualified Personnel

The product/system described in this documentation may be operated only by **personnel qualified** for the specific task in accordance with the relevant documentation, in particular its warning notices and safety instructions. Qualified personnel are those who, based on their training and experience, are capable of identifying risks and avoiding potential hazards when working with these products/systems.

Proper use of Siemens products

Note the following:

WARNING

Siemens products may only be used for the applications described in the catalog and in the relevant technical documentation. If products and components from other manufacturers are used, these must be recommended or approved by Siemens. Proper transport, storage, installation, assembly, commissioning, operation and maintenance are required to ensure that the products operate safely and without any problems. The permissible ambient conditions must be complied with. The information in the relevant documentation must be observed.

Trademarks

All names identified by ® are registered trademarks of Siemens AG. The remaining trademarks in this publication may be trademarks whose use by third parties for their own purposes could violate the rights of the owner.

Disclaimer of Liability

We have reviewed the contents of this publication to ensure consistency with the hardware and software described. Since variance cannot be precluded entirely, we cannot guarantee full consistency. However, the information in this publication is reviewed regularly and any necessary corrections are included in subsequent editions.

Preface

Purpose of the operating instructions

These operating instructions provide information based on the requirements defined by mechanical engineering documentation for manuals. This information relates to the place of use, transport, storage, mounting, use and maintenance.

These operating instructions are intended for the following user groups:

- Operators
The following chapters are of relevance:
 - Overview (Page 11)
 - Operating the device (Page 69)
- Administrator
The following chapters are of relevance:
 - Overview (Page 11)
 - Assigning device parameters (Page 81)
 - Configuring the server (Page 109)
- Commissioning engineers
The following chapters are of relevance:
 - Overview (Page 11)
 - Installing and connecting the device (Page 39)
 - Configuring the server (Page 109)
- Maintenance personnel
The following chapters are of relevance:
 - Overview (Page 11)
 - Device maintenance and repair (Page 163)

Chapter Safety instructions (Page 33) must be particularly observed by all user groups.

Basic knowledge required

General knowledge of automation technology and process communication is needed to understand the operating instructions.

Specialist knowledge of SINUMERIK systems are required for the "SINUMERIK" operating mode.

It is also assumed that those using the manual have experience in using personal computers and knowledge of Microsoft operating systems.

Scope of the operating instructions

The following operating instructions apply to the following ITC (Industrial Thin Client) V3 devices in connection with firmware version V3.2:

ITC V3 devices 12"

Designation	Type	Display / resolution	Article number, device with Siemens logo	Article number, device without Siemens logo
ITC1200 V3	Built-in unit	12" HD	6AV6646-1BA12-0AA1	6AV6646-1BA12-0NA1
ITC1200 V3 PRO	PRO device for pedestal (extendable, flange bottom)	12" HD	6AV6646-1BB12-0AA1	6AV6646-1BB12-0NA1
ITC1200 V3 PRO	PRO device for support arm (not extendable, flange top)	12" HD	6AV6646-1BC12-0AA1	6AV6646-1BC12-0NA1
ITC1200 V3 PRO	PRO device for support arm (extendable, round tube)	12" HD	6AV6646-1BD12-0AA1	6AV6646-1BD12-0NA1

ITC V3 devices 15"

Designation	Type	Display / resolution	Article number, device with Siemens logo	Article number, device without Siemens logo
ITC1500 V3	Built-in unit	15" HD	6AV6646-1BA15-0AA0	6AV6646-1BA15-0NA0
		15" HD	6AV6646-1BA15-0AA1	6AV6646-1BA15-0NA1
		15" Full HD	6AV6646-1BA16-0AA1	6AV6646-1BA16-0NA1
ITC1500 V3 PRO	PRO device for pedestal (extendable, flange bottom)	15" HD	6AV6646-1BB15-0AA0	6AV6646-1BB15-0NA0
		15" HD	6AV6646-1BB15-0AA1	6AV6646-1BB15-0NA1
		15" Full HD	6AV6646-1BB16-0AA1	6AV6646-1BB16-0NA1
ITC1500 V3 PRO	PRO device for support arm (not extendable, flange top)	15" HD	6AV6646-1BC15-0AA0	6AV6646-1BC15-0NA0
		15" HD	6AV6646-1BC15-0AA1	6AV6646-1BC15-0NA1
		15" Full HD	6AV6646-1BC16-0AA1	6AV6646-1BC16-0NA1
ITC1500 V3 PRO	PRO device for support arm (extendable, round tube)	15" HD	6AV6646-1BD15-0AA0	6AV6646-1BD15-0NA0
		15" HD	6AV6646-1BD15-0AA1	6AV6646-1BD15-0NA1
		15" Full HD	6AV6646-1BD16-0AA1	6AV6646-1BD16-0NA1

ITC V3 devices 19"

Designation	Type	Display / resolution	Article number, device with Siemens logo	Article number, device without Siemens logo
ITC1900 V3	Built-in unit	19" HD	6AV6646-1BA18-0AA0	6AV6646-1BA18-0NA0
		19" HD	6AV6646-1BA18-0AA1	6AV6646-1BA18-0NA1
		19" Full HD	6AV6646-1BA20-0AA1	6AV6646-1BA20-0NA1
ITC1900 V3 PRO	PRO device for pedestal (extendable, flange bottom)	19" HD	6AV6646-1BB18-0AA0	6AV6646-1BB18-0NA0
		19" HD	6AV6646-1BB18-0AA1	6AV6646-1BB18-0NA1
		19" Full HD	6AV6646-1BB20-0AA1	6AV6646-1BB20-0NA1
ITC1900 V3 PRO	PRO device for support arm (not extendable, flange top)	19" HD	6AV6646-1BC18-0AA0	6AV6646-1BC18-0NA0
		19" HD	6AV6646-1BC18-0AA1	6AV6646-1BC18-0NA1
		19" Full HD	6AV6646-1BC20-0AA1	6AV6646-1BC20-0NA1
ITC1900 V3 PRO	PRO device for support arm (extendable, round tube)	19" HD	6AV6646-1BD18-0AA0	6AV6646-1BD18-0NA0
		19" HD	6AV6646-1BD18-0AA1	6AV6646-1BD18-0NA1
		19" Full HD	6AV6646-1BD20-0AA1	6AV6646-1BD20-0NA1

ITC V3 devices 22"

Designation	Type	Display / resolution	Article number, device with Siemens logo	Article number, device without Siemens logo
ITC2200 V3	Built-in unit	22" Full HD	6AV6646-1BA22-1AA0	6AV6646-1BA22-1NA0
		22" Full HD	6AV6646-1BA22-1AA1	6AV6646-1BA22-1NA1
ITC2200 V3 PRO	PRO device for pedestal (extendable, flange bottom)	22" Full HD	6AV6646-1BB22-1AA0	6AV6646-1BB22-1NA0
		22" Full HD	6AV6646-1BB22-1AA1	6AV6646-1BB22-1NA1
ITC2200 V3 PRO	PRO device for support arm (not extendable, flange top)	22" Full HD	6AV6646-1BC22-1AA0	6AV6646-1BC22-1NA0
		22" Full HD	6AV6646-1BC22-1AA1	6AV6646-1BC22-1NA1
ITC2200 V3 PRO	PRO device for support arm (extendable, round tube)	22" Full HD	6AV6646-1BD22-1AA0	6AV6646-1BD22-1NA0
		22" Full HD	6AV6646-1BD22-1AA1	6AV6646-1BD22-1NA1

ITC V3 devices 24"

Designation	Type	Display / resolution	Article number, device with Siemens logo	Article number, device without Siemens logo
ITC2400 V3	Built-in unit	24" Full HD	6AV6646-1BA24-0AA1	6AV6646-1BA24-0NA1
ITC2400 V3 PRO	PRO device for pedestal (extendable, flange bottom)	24" Full HD	6AV6646-1BB24-0AA1	6AV6646-1BB24-0NA1
ITC2400 V3 PRO	PRO device for support arm (not extendable, flange top)	24" Full HD	6AV6646-1BC24-0AA1	6AV6646-1BC24-0NA1
ITC2400 V3 PRO	PRO device for support arm (extendable, round tube)	24" Full HD	6AV6646-1BD24-0AA1	6AV6646-1BD24-0NA1

Brands

The following designations marked with the symbol ® are registered trademarks of Siemens AG:

- HMI®
- SIMATIC®
- SINUMERIK®
- WinCC®

Style conventions

The following text notation will facilitate reading this manual:

Text markup	Example	Meaning
Text in quotation marks: "Text"	"Add screen"	<ul style="list-style-type: none"> Terminology that appears in the user interface, for example dialog names, tabs, buttons, menu commands Required input, for example, limits, tag values. Path information
Texts in quotation marks, separated by a greater-than sign: "Text > Text"	"File > Edit"	Operating sequences, for example, menu commands, shortcut menu commands.
Texts in square brackets: <Text>	<F1>, <Alt+P>	Keyboard operation

Please observe notes labeled as follows:

Note

Notes contain important information concerning the product, its use or a specific section of the documentation to which you should pay particular attention.

Naming conventions

Term	Applies to
Device, HMI device, Industrial Thin Client, Panel	All ITC V3 devices
Built-in unit	All ITC V3 built-in units
PRO device	All ITC V3 PRO devices
HD device	ITC V3 device with HD display
Full HD device	ITC V3 device with Full HD display

The information as to which devices are equipped with HD display or Full HD display can be found in the tables in the section "Scope (Page 3)".

Figures

This manual contains illustrations of the described devices. The figures can deviate from the particularities of the delivered device.

Picture parts are marked with black position numbers on a white background: ①, ②, ③, ...

Work steps within the figures are marked with white process numbers on a black background according to the sequence to be followed: ❶, ❷, ❸, ...

Table of contents

	Preface	3
1	Overview	11
1.1	Product description	11
1.2	Product package	14
1.3	Layout of the devices	15
1.3.1	ITC V3 built-in units.....	15
1.3.2	ITC V3 PRO devices.....	17
1.3.2.1	Overview	17
1.3.2.2	PRO devices for support arm (not extendable, flange top).....	18
1.3.2.3	PRO devices for pedestal (extendable, flange bottom)	19
1.3.2.4	PRO devices for support arm (extendable, round tube)	21
1.3.3	Interfaces	22
1.4	System components and accessories	23
1.4.1	System components for PRO devices	23
1.4.2	Accessories	31
2	Safety instructions	33
2.1	General safety instructions.....	33
2.2	Security management for HMI devices	35
2.3	Data protection.....	35
2.4	Notes about usage.....	36
2.5	Use in hazardous areas	38
3	Installing and connecting the device	39
3.1	Preparing for installation.....	39
3.1.1	Checking delivery	39
3.1.2	Checking the operating conditions	40
3.1.3	Built-in units	40
3.1.3.1	Permitted mounting positions	40
3.1.3.2	Checking clearances	41
3.1.3.3	Preparing the mounting cutout	42
3.1.3.4	Installing a strain relief.....	43
3.1.4	PRO devices	44
3.1.4.1	Permitted mounting positions	44
3.1.4.2	Installing a strain relief.....	45
3.2	Installing the built-in unit.....	46
3.2.1	Notes on installation.....	46
3.2.2	Positions of the mounting clips	46
3.2.3	Fastening the device with mounting clips.....	48
3.3	Installing a PRO device	50
3.3.1	Notes on mounting.....	50
3.3.2	PRO devices for support arm (not extendable, flange top) and for pedestal (extendable, flange bottom)	51
3.3.3	PRO devices for support arm (extendable, round tube)	53

3.4	Connecting the device	56
3.4.1	Notes on connection.....	56
3.4.2	Equipotential bonding	58
3.4.3	Connecting the power supply	60
3.4.4	Connecting device to the server	62
3.4.5	Connecting a USB device.....	63
3.4.6	Switching the device on, testing it and switching it off	65
3.4.7	Securing cables.....	66
3.4.8	Securing cables for use in hazardous areas	66
3.5	Removing the device	67
3.5.1	Removing the built-in unit	67
3.5.2	Removing a PRO device.....	68
4	Operating the device	69
4.1	Overview	69
4.2	Notes on the capacitive touch screen	70
4.2.1	General information	70
4.2.2	Devices with capacitive single-touch screen	72
4.2.3	Operating a device with capacitive multi-touch screen	73
5	ITC Operating mode.....	75
5.1	System requirements	75
5.2	Typical applications.....	76
5.3	ITC commissioning.....	79
5.4	Interrupting and restoring a connection	80
5.5	Assigning device parameters.....	81
5.5.1	Possible applications.....	81
5.5.2	Opening the configuration.....	81
5.5.3	Menu "All"	83
5.5.4	"Information" submenu.....	84
5.5.5	"System" submenu	85
5.5.6	"Network" submenu	90
5.5.7	"Connections" submenu	93
5.5.7.1	Setting up client-server connections.....	94
5.5.7.2	Connection settings.....	95
5.5.7.3	Setting up startup connection	99
5.5.7.4	PROFINET basic functions.....	99
5.5.8	"Passwords" submenu	100
5.5.9	"Desktop" submenu	103
5.5.10	"Programs" submenu	105
5.5.11	Remote configuration	108
5.6	Configuring the server	109
5.6.1	RDP	109
5.6.1.1	RDP overview.....	109
5.6.1.2	Administration on the server.....	110
5.6.2	Citrix	111
5.6.2.1	Citrix overview.....	111
5.6.2.2	Connecting to a Citrix application or a desktop	112
5.6.2.3	Restrictions.....	113
5.6.3	VNC.....	114

5.6.4	Sm@rtServer.....	115
5.6.5	WinCC OA.....	115
5.7	Operating ITC	116
5.7.1	Notes on Sm@rtServer access	116
5.7.2	Operating the taskbar	117
5.7.2.1	Structure and functions of the taskbar.....	117
5.7.2.2	Starting a connection.....	119
5.7.2.3	Changing from one connection to another	120
5.7.2.4	Terminating a connection	120
5.7.3	Operating the on-screen keyboard	121
5.7.4	Use USB memory devices	123
5.7.5	Using a USB reader	124
6	SINUMERIK operating mode	125
6.1	SINUMERIK commissioning	125
6.2	Networking	127
6.2.1	System settings	127
6.2.1.1	Industrial Thin Client (ITC).....	127
6.2.1.2	Settings for SINUMERIK solution line	128
6.2.1.3	System boot with system network.....	129
6.2.1.4	Factory default settings.....	130
6.2.2	ITC commissioning.....	132
6.2.2.1	Key assignment	132
6.2.2.2	Settings in the "TCU.ini" file.....	133
6.2.2.3	Displacement mechanism for ITCs.....	134
6.2.2.4	Disable switchover between ITC via PLC	135
6.2.2.5	Example: This how you select the behavior of the ITCs during run-up.	137
6.2.3	Network configuration.....	138
6.2.3.1	Permissible network topologies.....	138
6.2.3.2	Networks without connection to the company network.....	139
6.2.3.3	Networks with NCU connection to the company network	140
6.2.3.4	Example: Configuring a VNC connection to a PC	142
6.2.4	Service and diagnostics.....	144
6.2.4.1	Operation of the ITC main menu	144
6.2.4.2	Operation of ITC menu "Service sessions"	147
6.2.4.3	Operation of ITC menu "Service menu"	149
6.2.4.4	Operation of ITC menu "Modify settings"	152
6.2.4.5	Operation of the menu for a new ITC or replacement ITC.....	153
6.2.4.6	How to register an ITC in the system network.....	157
6.2.4.7	How to register a replacement ITC.....	159
6.2.4.8	Run-up of the panel	160
7	Device maintenance and repair.....	163
7.1	General information on maintenance and servicing	163
7.2	Cleaning the device	163
7.3	Spare parts and repairs	164
7.4	Recycling and disposal	164

8	Technical specifications.....	165
8.1	Labels, certificates and approvals	165
8.2	Electromagnetic compatibility.....	170
8.3	Mechanical environmental conditions	172
8.3.1	Storage conditions.....	172
8.3.2	Operating conditions	173
8.4	Climatic ambient conditions.....	173
8.4.1	Long-term storage	173
8.4.2	Transport and short-term storage.....	173
8.4.3	Operating Conditions.....	174
8.5	Information on insulation tests, protection class and degree of protection	175
8.6	Dimensional drawings	176
8.6.1	ITC1200 V3.....	176
8.6.2	ITC1500 V3.....	177
8.6.3	ITC1900 V3.....	178
8.6.4	ITC2200 V3.....	179
8.6.5	ITC2400 V3.....	180
8.6.6	ITC1200 V3 PRO.....	181
8.6.7	ITC1500 V3 PRO.....	184
8.6.8	ITC1900 V3 PRO.....	187
8.6.9	ITC2200 V3 PRO.....	190
8.6.10	ITC2400 V3 PRO.....	193
8.7	Technical specifications	196
8.7.1	ITC1200/1500 V3 (PRO)	196
8.7.2	ITC1900/2200/2400 V3 (PRO)	198
8.8	Description of the ports	199
8.8.1	Power supply	199
8.8.2	PROFINET (LAN), LAN - 10/100/1000 MBit	200
8.8.3	USB	200
8.9	Performance data	200
A	Technical Support.....	201
A.1	Service and support	201
A.2	Application examples and FAQs	202
B	Markings and symbols.....	203
B.1	Safety-relevant symbols.....	203
C	Abbreviations	205
	Glossary	207

Overview

1.1 Product description

SIMATIC ITC - the high-performance local thin client solution



Industrial Thin Clients are low-cost HMI terminals that provide local HMI functionality in plants spread over large areas. In this way, Industrial Thin Clients contribute to an improved overview, operability, and productivity of plants. In addition, the Industrial Thin Clients also reduce the total cost of ownership (TCO) by virtue of their extremely easy commissioning, efficient Ethernet networking, reduced software costs, and minimal service costs.

The Industrial Thin Client itself requires no installation and no licenses to operate. You can also bridge greater distances via Ethernet.

The Industrial Thin Client offers the following operating modes. The operating mode is defined as part of first commissioning.

- ITC Operating mode
- SINUMERIK operating mode

ITC Operating mode

In the ITC operating mode, the Industrial Thin Client always communicates with a host, such as an HMI device, industrial PC, or server, via the following connection types:

- Web browser functionality
- SIMATIC WinCC Sm@rtServer
- Standard RDP (Remote Desktop Protocol) from Microsoft
- VNC (Virtual Network Computing)
- On-demand application service from Citrix
- WinCC OA

You can do the following from the Industrial Thin Client:

- Display and run web-based content from a web server available on the network (e.g., S7 controller, Intranet/Internet) via the integrated web browser.
- Run WinCC projects on other HMI devices or industrial PCs via Sm@rtServer.
- Run HMI applications (e.g., WinCC), Office applications (e.g., Excel), or SAP directly at the machine via RDP.
- Operate a PC remotely with VNC (similar to RDP).
- Access a Citrix server as Citrix client.
- Access a WinCC OA server as client.

You will find the description of the ITC operating mode in Section "ITC Operating mode (Page 75)".

SINUMERIK operating mode

In SINUMERIK operating mode, the Industrial Thin Client behaves like a SINUMERIK operator panel face with built in Thin Client Unit TCU.

You will find the description of the SINUMERIK operating mode in Section "SINUMERIK operating mode (Page 125)".

Features

Installation compatibility

The Industrial Thin Client built-in units are compatible with SIMATIC Industrial PCs, Industrial Flat Panels, HMI devices and SINUMERIK TOP Panels of the same series.

Front

- Integrated glass front, anti-reflective coating, resistant to scratches and chemicals
- Brilliant 12"-, 15"-, 19"-, 22"- or 24" TFT display with 16 million colors

Touch screen

- Capacitive touch screen
- Suitable for operation with glove, pen and finger
- Detection of accidental contact

IP65 fully-enclosed

The Thin Client PRO with an IP65 protection class housing features all-round dust- and hose water protection. The ready-to-use HMI device can be mounted either from the top or the bottom to a support arm system or to a pedestal.

A basic adapter and adapter sets that can be ordered separately support mounting systems from various manufacturers (including VESA standard for flat screens). The rear panel can be easily opened. The interfaces of the HMI device can therefore be reached without problem. Special cables or plugs are not required.

The Thin Client PRO is impressive not only on account of its ease of servicing but also due to its sophisticated design and slimline device depth.

Easy commissioning



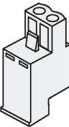
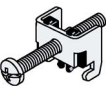




The Industrial Thin Client merely requires an IP address. For fast on-site commissioning and diagnostics, the SIMATIC ITC is equipped with a Setup Wizard optimized for touch operation. Local software installation on the device is not necessary. The display and user interface of the application are provided by the host.

High robustness

As a remote operator terminal without any rotating media (hard drive or fan), you can operate the Industrial Thin Client on machines having stringent requirements for mechanical robustness.

1.2 Product package

The following components are included in the scope of delivery of the device:

Designation	Figure	Quantity	
HMI device		1	
Installation instructions (Quick Installation Guide)		1	
Power supply connector		1	
Mounting clips with screw		Steel mounting clip, captive For built-in units	12
Strain relief bracket		For built-in units	1
		For PRO devices	1
Basic adapter		Only for PRO devices for support arm (not extendable, flange top) and for pedestal (extendable, flange bottom)	1
Cover for mechanical interface		Only for PRO devices for support arm (extendable, round tube)	1

Some components of the product package are also available separately, see section "System components and accessories (Page 23)".

1.3 Layout of the devices

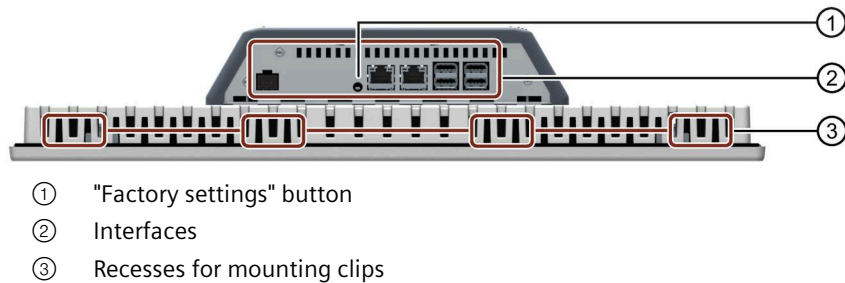
1.3.1 ITC V3 built-in units

The following figures show the structure of the Industrial Thin Clients using an example of the SIMATIC ITC1900 V3 built-in units with Siemens logo.

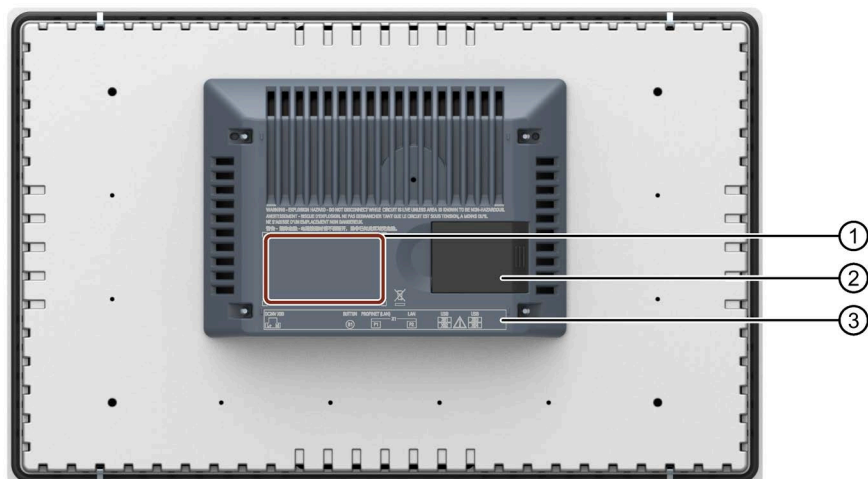
Front view and side view



Bottom view



Rear view



- ① Rating plate
- ② Cover
- ③ Interface designation

1.3.2 ITC V3 PRO devices

1.3.2.1 Overview

The PRO devices are available in the following variants. The figures show examples.

- **PRO devices for support arm (not extendable, flange top)**

These devices are designed for mounting on a support arm without extensions such as Extension Units. If required, the PRO Option handles can be used between the support arm and the device.



- **PRO devices for pedestal (extendable, flange bottom)**

These devices are designed for mounting on a pedestal with extensions such as Extension Units. If required, the PRO Option handles can be used between the pedestal and the device.



- **PRO devices for support arm (extendable, round tube)**

These devices are designed for mounting on a support arm with extensions such as Extension Units or PRO Options (e.g. handles, keyboard tray).



Additional information on the PRO Options as well as adapters and other system components can be found in the section "System components for PRO devices (Page 23)".

1.3.2.2 PRO devices for support arm (not extendable, flange top)

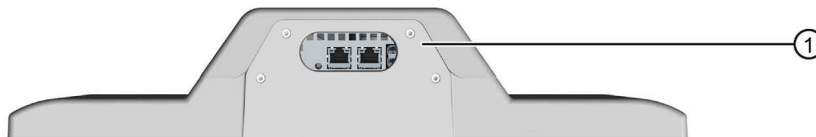
The following figures show the structure of the devices using the example of the ITC2200 V3 PRO for support arm (not extendable, flange top) with Siemens logo.

Front view and side view



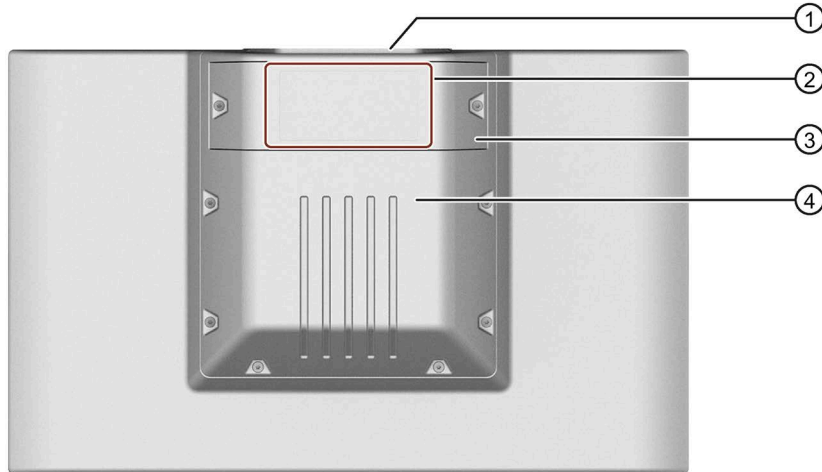
- ① Display with touch screen
- ② Enclosure
- ③ Backplane cover

Top view



- ① Mechanical interface for fastening

Rear view



- ① Mechanical interface for fastening
- ② Rating plate
- ③ Terminal compartment cover
- ④ Backplane cover

1.3.2.3 PRO devices for pedestal (extendable, flange bottom)

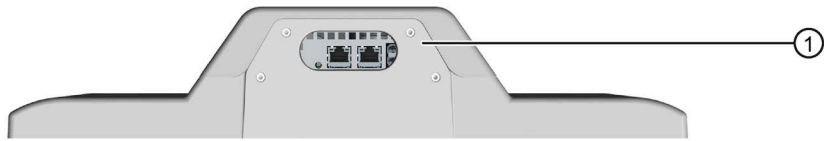
The following figures show the structure of the devices using the example of the ITC2200 V3 PRO for pedestal (extendable, flange bottom) with Siemens logo.

Front view and side view



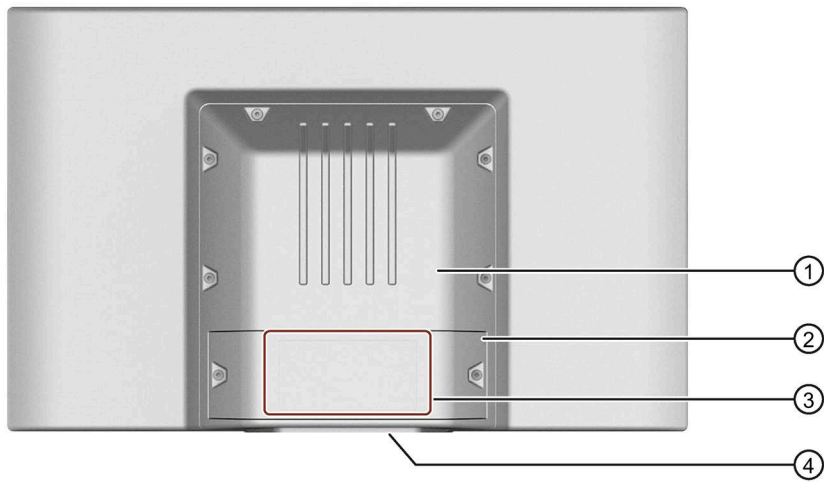
- ① Display with touch screen
- ② Enclosure
- ③ Backplane cover

Bottom view



- ① Mechanical interface for fastening

Rear view



- ① Backplane cover
- ② Terminal compartment cover
- ③ Rating plate
- ④ Mechanical interface for fastening

1.3.2.4 PRO devices for support arm (extendable, round tube)

The following figures show the structure of the devices using the example of the ITC1500 V3 PRO for support arm (extendable, round tube) with Siemens logo.

Front view and side view



- ① Display with touch screen
- ② Enclosure
- ③ Mechanical interface for fastening (round tube)
- ④ Terminal compartment cover
- ⑤ Mechanical interface below

Rear view

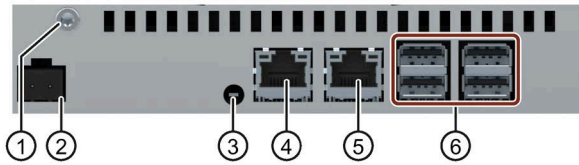


- ① Mechanical interface for fastening (round tube)
- ② Terminal compartment cover
- ③ Rating plate
- ④ Mechanical interface below
- ⑤ Lower cover, included in the product package

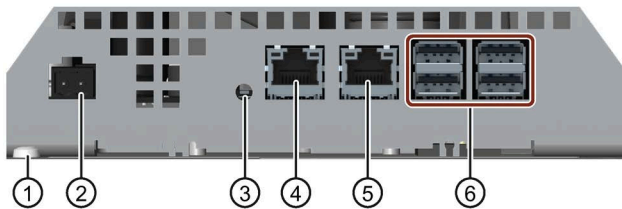
1.3.3 Interfaces

The following figures show the interfaces of the ITC V3 devices.

Built-in units



PRO devices



- ① Functional grounding connection
- ② X80 power supply connector
- ③ B1 "Factory settings" button

- ④ X1 P1 PROFINET (LAN), 10/100/1000 MBit
- ⑤ X1 P2 LAN, 10/100/1000 MBit
- ⑥ X61 ... X64 USB Type A

1.4 System components and accessories

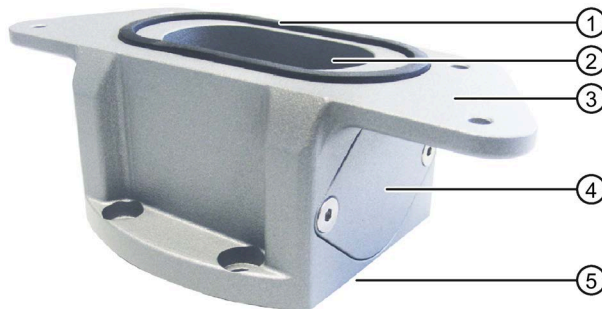
System components are products that have been developed for a specific system and can not be used in general, for example, like the base adapter. System components are always directly related to a core product.

Accessories can typically be used for multiple devices from the same or different device families, for example, batteries, touch pens or protective membranes.

1.4.1 System components for PRO devices

Base adapter

Using the base adapter, mount PRO devices for support arm (not extendable, flange top) or for pedestal (extendable, flange bottom) on the support arm or pedestal. A base adapter is included in the scope of delivery for the corresponding PRO device. The base adapter can also be ordered separately.



- ① Seal
- ② Channel cable
- ③ Mechanical interface to the PRO device
- ④ Cover
- ⑤ Mechanical interface to the support arm or pedestal including seal

Article number: 6AV7674-1KA00-0AA0

You can find the associated documentation on the Internet (<https://support.industry.siemens.com/cs/ww/en/view/32109730>).

Adapter sets and couplings

For mounting a PRO device for support arm (not extendable, flange top) or for pedestal (extendable, flange bottom) using the base adapter, the following adapter sets are available additionally:

- Adapter set VESA75 for VESA75-compatible systems, article number 6AV7674-0KE00-0AA0



- Adapter set VESA100 for VESA100-compatible systems, article number 6AV7674-0KD00-0AA0

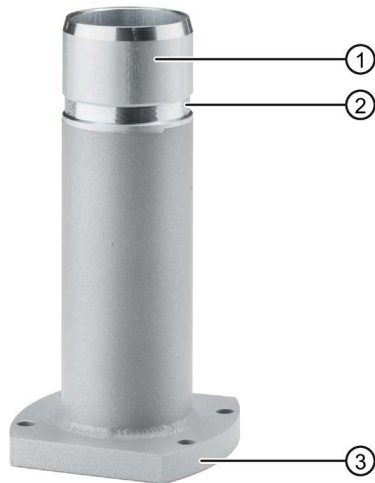


You can find the associated documentation on the Internet (<https://support.industry.siemens.com/cs/ww/en/view/32109730>).

In addition, other manufacturers are offering support arm or pedestal systems with mechanical interface or adapter for Siemens PRO devices, for example, RITTAL, ROLEC, BERNSTEIN, HASEKE, ROSE. Observe the technical specifications of the respective manufacturer.

Flange mount adapter

A flange mount adapter is available for mounting a PRO device for support arm (extendable, round tube).



- ① Flange mount adapter
- ② Ring groove for fastening on PRO device with setscrews
- ③ Mechanical interface to support arm

Article number: 6AV7674-1KF00-0AA0

You can find the associated documentation on the Internet (<https://support.industry.siemens.com/cs/ww/en/view/32109730>).

Round tube plug

If you do not need the mechanical interface of a PRO device for support arm (extendable, round tube) you can install the round tube plug into the mechanical interface. With the round tube plug, the degree of protection IP65 is maintained all around for the PRO device.

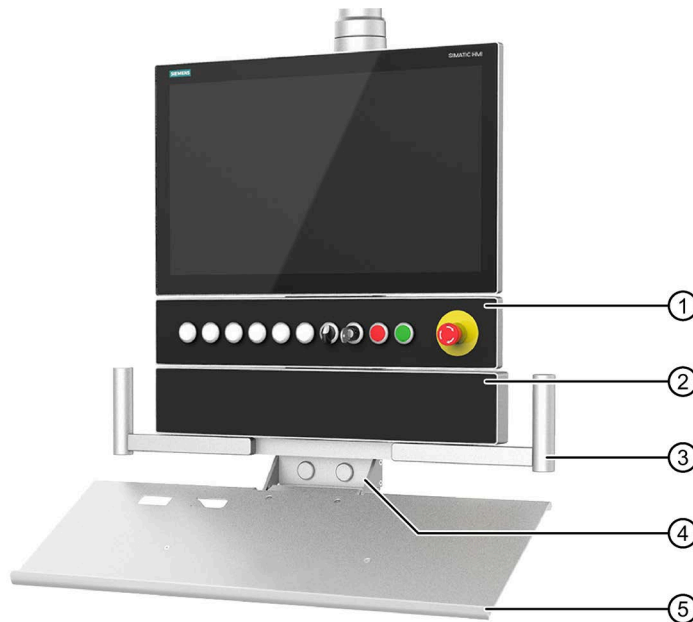


Article number: 6AV7674-1LB40-0AA0

You can find the associated documentation on the Internet (<https://support.industry.siemens.com/cs/ww/en/view/109769784>).

Extensions for PRO devices

The following example shows a PRO device for a support arm (extendable, round tube) with Extension Unit, Extension Unit box as well as the PRO Options Handles and Keyboard tray with Keyboard tray plate.



- ① **Extension Unit**, example of an Extension Unit 22" with eight operator controls and emergency stop button
- ② **Extension Unit box**, deep empty enclosure, example Extension Unit box 22" without operator controls
- ③ **Handles**, set matching the 22" device
- ④ **Keyboard tray** for mounting the keyboard tray plate or installing a suitable keyboard
- ⑤ **Keyboard tray plate**

Mounting options

The handles can be mounted above a PRO device of type "not extendable" or below a PRO device of type "extendable".

Extension Units and keyboard tray can only be mounted below a PRO device of the "extendable" type.

Note

A maximum of two Extension Units is permitted

A maximum of two Extension Units are permitted below a PRO device for pedestal (extendable, flange bottom) or for support arm (extendable, round tube) and can be configured in TIA Portal.

Extension Unit

The Extension Unit is used to install additional operator controls below a SIMATIC PRO device for pedestal (extendable, flange bottom) or for support arm (extendable, round tube).



The Extension Unit can be customized and is supplied without operator controls. The front of the Extension Unit has pre-perforated slots for operator controls. The Extension Unit is available in four sizes:

- Extension Unit 12", article number 6AV7674-1LA3x-0AA0
- Extension Unit 15", article number 6AV7674-1LA4x-0AA0
- Extension Unit 19", article number 6AV7674-1LA5x-0AA0
- Extension Unit 22", article number 6AV7674-1LA6x-0AA0
- Extension Unit 24", article number 6AV7674-1LA7x-0AA0

In each size, you have the flexibility to choose between the following Extension Unit interface variants (x) for connection to the plant:

- Hardwired (x=1)
- PROFINET (x=2)
- PROFIsafe (x=3)

In addition, different operator controls, such as Emergency Stop pushbutton, selector switch, illuminated pushbutton, keyswitch or indicator light are available.

Note

Only operator controls with Siemens approval may be installed in the Extension Unit.

You can find detailed information in the corresponding operating instructions on the Internet (<https://support.industry.siemens.com/cs/ww/en/view/109742323>).

Extension Unit Advanced

The Extension Unit Advanced can be ordered pre-configured or customer-specific in numerous variants and is mounted below a SIMATIC PRO device for pedestal (extendable, flange bottom) or for support arm (extendable, round tube).



The Extension Unit Advanced for PROFINET or PROFI-safe connections is available with one or more KP12 keypads. Free slots can be equipped with Standard/Advanced and Safety operator controls.

Note

Only operator controls with Siemens approval may be installed in the Extension Unit.

Extension Units Advanced minimum configuration with 1 x KP12 for PROFINET:

- Extension Unit 12" KP12 PN, article number 6AV2185-8CE01-0AA0
- Extension Unit 15" KP12 PN, article number 6AV2185-8DE01-0AA0
- Extension Unit 19" KP12 PN, article number 6AV2185-8EE01-0AA0
- Extension Unit 22" KP12 PN, article number 6AV2185-8FE01-0AA0

Extension Units Advanced maximum configuration with several KP12 for PROFINET:

- Extension Unit 12" KP24 PN, 2 x KP12, article number 6AV2185-8CE08-0AA0
- Extension Unit 15" KP36 PN, 3 x KP12, article number 6AV2185-8DE08-0AA0
- Extension Unit 19" KP36 PN, 3 x KP12, article number 6AV2185-8EE08-0AA0
- Extension Unit 22" KP48 PN, 4 x KP12, article number 6AV2185-8FE08-0AA0

Extension Units Advanced with 1 x KP12 for PROFINET/PROFI-safe:

- Extension Unit 12" KP12F PN, article number 6AV2185-8CF01-0AA0
- Extension Unit 15" KP12F PN, article number 6AV2185-8DF01-0AA0
- Extension Unit 19" KP12F PN, article number 6AV2185-8EF01-0AA0
- Extension Unit 22" KP12F PN, article number 6AV2185-8FF01-0AA0

In addition, customer-specific Extension Units Advanced can be ordered in various pre-configured expansion stages with operator controls.

You can find detailed information in the corresponding operating instructions on the Internet (<https://support.industry.siemens.com/cs/ww/en/view/109756068>).

Extension Unit box

The Extension Unit box offers an empty enclosure for installation of larger customer-specific components below a 16:9 SIMATIC PRO device for pedestal (extendable, flange bottom) or for support arm (extendable, round tube).



The Extension Unit is supplied without operator controls; the front has not been prepared for installation of operator controls. The Extension Unit box is available in four sizes:

- Extension Unit box 12", article number 6AV7674-1LA30-0AA0
- Extension Unit box 15", article number 6AV7674-1LA40-0AA0
- Extension Unit box 19", article number 6AV7674-1LA50-0AA0
- Extension Unit box 22", article number 6AV7674-1LA60-0AA0
- Extension Unit box 24", article number 6AV7674-1LA70-0AA0

You can find the associated documentation on the Internet (<https://support.industry.siemens.com/cs/ww/en/view/109761025>).

Handles

The width of the handles can be adjusted so that the entire device can be aligned or positioned without having to touch the display of the PRO device.



Article number: 6AV7674-1LB10-0AA0

You can find the associated documentation on the Internet (<https://support.industry.siemens.com/cs/ww/en/view/109761024>).

Keyboard tray

You can mount the keyboard tray plate or a matching keyboard to the keyboard tray. In addition, the keyboard tray has two openings for USB interfaces on the front and two openings for cable glands in the rear.



Article number: 6AV7674-1NF01-0AA0

You can find the associated documentation on the Internet (<https://support.industry.siemens.com/cs/ww/en/view/109761024>).

1.4 System components and accessories

Keyboard tray plate

The keyboard tray plate has sufficient space for the keyboard and the mouse.



Article number: 6AV7674-1NG00-0AA0

You can find the associated documentation on the Internet (<https://support.industry.siemens.com/cs/ww/en/view/109761024>).

Replacement adapter

The Replacement adapter simplifies the dismantling and mounting of a Extension Unit, that are mounted below a SIMATIC PRO device of the "extendable" type .



Article number: 6AV7674-1LB50-0AA0

You can find the associated documentation on the Internet (<https://support.industry.siemens.com/cs/ww/en/view/109769845>).

Additional information

You can find additional information on system components for fully-enclosed IP65 and Type 4X/12 protected devices on the Internet (<https://mall.industry.siemens.com/mall/en/WW/Catalog/Products/10268745>).

1.4.2 Accessories

An accessory kit with the necessary accessories is included with the HMI device.

Note

This section includes a selection of accessories suited to your operator control. You can find additional versions of this selection and the full range of accessories for HMI devices in the Industry Mall on the Internet (<https://mall.industry.siemens.com/mall/en/WW/Catalog/Products/10144445>). Details such as the delivery quantity and technical specifications of accessories can be found in the Industry Mall under the respective article numbers.

An overview of the status and compatibility of the accessories portfolio can be found in the "Cross-List" on the Internet (<https://support.industry.siemens.com/cs/ww/en/view/40466415>).

HMI I/O components

Designation	Article number
Plug for the power supply of the HMI device, 2-pole, screw terminals	6AV6671-8XA00-....
Plug for the power supply of the HMI device, 2x2-pole, spring-type terminals	6ES7193-4JB00-....

"...." stands for the variant key of the article number.

Protective films

Designation	Article number
Protective film 12" front, for built-in units *	6AV6881-0MJ22-....
Protective film 15" front, for built-in units and PRO devices	6AV6881-0QJ22-....
Protective film 19" front, for built-in units and PRO devices	6AV6881-0UJ22-....
Protective film 22" front, for built-in units and PRO devices	6AV6881-0VJ22-....
Protective film 24" front, for built-in units and PRO devices	6AV6881-0WJ22-....

* Protective film requires trimming for use with 12" PRO device

"...." stands for the variant key of the article number.

Storage media

Use only the following storage media for the HMI device.

Designation	Article number
SIMATIC HMI USB stick	6AV2181-0AS42-....

"...." stands for the variant key of the article number.

Fasteners

Designation	Article number
Set with steel mounting clips	6AV6671-8XK00-....

"...." stands for the variant key of the article number.

Adapter frames

Designation	Article number
Adapter frame widescreen 15"	6AV6881-6QD41-....
Adapter frame widescreen 19"	6AV6881-6UD41-....
Adapter frame widescreen 22"	6AV6881-6VD41-....

"...." stands for the variant key of the article number.

Input help

Designation	Article number
Touch pen systems ELO and V2A	6AV6881-0AV2.-....

"...." stands for the variant key of the article number.

INOX frame systems

In combination with an INOX frame and a protective film, the degree of protection of the built-in unit can be increased to IP69. With the INOX frame and an antibacterial protective film, which at the same time offers conditional splinter protection, you can use the control unit in some areas of the food, beverages and tobacco industries, or the pharmaceutical industry, for example.

You can find more information and important tips on the Internet (<https://support.industry.siemens.com/cs/ww/en/view/109806812>).

Other accessories

Additional USB accessories can be found on the Internet in the following entry: FAQ 19188460 (<https://support.industry.siemens.com/cs/ww/en/view/19188460>).

Safety instructions

2.1 General safety instructions

The device is designed for use in the industrial sector for operating and monitoring plant processes.

Observe the safety and accident prevention instructions applicable to your application in addition to the safety information given in the device documentation.

Safety of the plant or system

NOTICE

The planner is responsible for the safety.

The safety of the plant or system into which the device is integrated is the responsibility of the plant or system planner.

Safety instructions for built-in units

WARNING

The rear of the device constitutes open equipment.

The rear of the device constitutes open equipment. This means that the device may only be installed in an enclosure or cabinet which provides front access for operating the device. The enclosure or the cabinet must provide protection against electric shock and the spread of fire. The enclosure or the cabinet must meet the requirements for mechanical strength and the degree of protection for the relevant application.

Access to the enclosure or cabinet in which the device is installed should only be possible by means of a key or tool and for trained and authorized personnel.

Electrocution risk when control cabinet is open

When you open the control cabinet, there may be a dangerous voltage at certain areas or components.

If you touch these areas or components, you may be killed by electric shock.

Disconnect the cabinet from the mains before opening it. Do **not** plug in or pull out the system component during operation.

Safety instructions for PRO devices

WARNING

The device must be mounted on a suitable support arm or pedestal

If the device is not mounted, mounted improperly or mounted on an unsuitable support arm system or pedestal system, liquids, dust or gases can enter the device. This can result in malfunctions which could cause death or serious injuries.

The device is only considered enclosed equipment and only fulfils the specified degree of protection or Enclosure Type when it is connected in line with the stipulations in this document to a suitable support arm system or pedestal system which also fulfils the required degree of protection or Enclosure Type.

Operation of the device is only permitted when the device is secured to a suitable support arm system or pedestal system in line with the stipulations in these operating instructions. All connection cables of the HMI panel must be routed through the support arm or pedestal.

If the device is extended by optional system components, then the system components must also meet the required degree of protection or enclosure type. Observe the technical specifications of the system components.

ESD



An electrostatically sensitive device is equipped with electronic components. Due to their design, electronic components are sensitive to overvoltage and thus to the discharge of static electricity. Note the corresponding regulations when handling ESD.

Industrial Security

Siemens provides products and solutions with industrial security functions that support the secure operation of plants, systems, machines and networks.

In order to protect plants, systems, machines and networks against cyber threats, it is necessary to implement – and continuously maintain – a holistic, state-of-the-art industrial security concept. Siemens' products and solutions constitute one element of such a concept.

Customers are responsible for preventing unauthorized access to their plants, systems, machines and networks. Such systems, machines and components should only be connected to an enterprise network or the internet if and to the extent such a connection is necessary and only when appropriate security measures (e.g. firewalls and/or network segmentation) are in place.

For additional information on industrial security measures that may be implemented, please visit (<https://www.siemens.com/industrialsecurity>).

Siemens' products and solutions undergo continuous development to make them more secure. Siemens strongly recommends that product updates are applied as soon as they are available and that the latest product versions are used. Use of product versions that are no longer supported, and failure to apply latest updates may increase customer's exposure to cyber threats.

To stay informed about product updates, subscribe to the Siemens Industrial Security RSS Feed under (<https://www.siemens.com/cert>).

Disclaimer for third-party software updates

This product includes third-party software. Siemens AG only provides a warranty for updates/patches of the third-party software, if these have been distributed as part of a Siemens software update service contract or officially released by Siemens AG. Otherwise, updates/patches are undertaken at your own risk. You can find more information about our Software Update Service offer on the Internet at Software Update Service (<https://support.industry.siemens.com/cs/ww/en/view/109759444>).

Notes on protecting administrator accounts

A user with administrator privileges has extensive access and manipulation options in the system.

Therefore, ensure there are adequate safeguards for protecting the administrator accounts to prevent unauthorized changes. To do this, use secure passwords and a standard user account for normal operation. Other measures, such as the use of security policies, should be applied as needed.

2.2 Security management for HMI devices

You can find additional information on security management of HMI devices on the Internet at the following address:

Panel Security Guidelines (<https://support.industry.siemens.com/cs/de/en/view/109481300>)

2.3 Data protection

Siemens observes the data protection guidelines, especially the requirements regarding data minimization (privacy by design). This means the following for this SIMATIC product: The product does not process / save any personal information, but only technical functional data (e.g. time stamps). If the user links this data to other data (e.g. shift plans) or if the user saves personal information on the same medium (e.g. hard disk) and therefore creates a personal reference in the process, the user has to ensure meeting the guidelines regarding data protection.

Remote maintenance is not recommended for production and should be disabled before production is started.

The remote maintenance settings are disabled by default. If you enable them for maintenance purposes, disable the remote maintenance settings once again for production in the start menu "Configuration > System", "Remote maintenance" (see configuration settings, section ""System" submenu (Page 85)").

2.4 Notes about usage

NOTICE
The HMI device is approved for indoor use only.
The HMI device may be damaged if it is operated outdoors.
Operate the HMI device only indoors ("Indoor use only").

Note

Operate the device only in a normal atmospheric environment

The technical characteristics of the device described in the operating instructions are guaranteed if you operate the device in normal ambient air conditions with usual air composition.

Note

The device is intended for operation on a SELV/PELV circuit according to IEC/EN 61131-2 or IEC/EN UL 61010-2-201 in a dry environment, which means for the different types of devices:

- Built-in units: A dry environment at the rear of the device
- PRO devices: A dry environment inside the enclosure

You can find additional information in the section "Operating Conditions (Page 174)".

Industrial applications

The HMI device is designed for industrial applications. It conforms to the following standards:

- Requirements for interference emission EN 61000-6-4:2019
- Requirements for interference immunity EN 61000-6-2:2019

Use in mixed-use zone

Under certain circumstances, you can use the HMI device in a mixed-use zone. A mixed-use zone is used for housing and commercial operations that do not have a significant impact on residents.

When you use the HMI device in a mixed-use zone, you must ensure that the limits of the generic standard EN 61000-6-3 regarding emission of radio frequency interference are observed. Suitable measures for achieving these limits for use in a mixed-use zone include:

- Installation of the HMI device in grounded control cabinets
- Use of filters in electrical supply lines

Individual acceptance is required.

Use in residential areas

Note

HMI device not intended for use in residential area

The HMI device is not intended for use in residential areas. Operation of an HMI device in residential areas can have a negative influence on radio or TV reception.

Use with additional measures

The HMI device should not be used at the following locations unless additional measures are taken:

- In locations with a high degree of ionizing radiation
- In locations with severe operating conditions, for example, due to:
 - Corrosive vapors, gases, oils or chemicals
 - Strong electrical or magnetic fields of high intensity
- In systems that require special monitoring, for example, in:
 - Elevators
 - Systems in especially hazardous rooms

TFT displays

NOTICE

Burn-in effect

A permanently displayed picture of two or more colors can result in a burn-in effect, i.e. the image remains slightly visible for a certain time even on a blank screen. The longer the image has been burned in, the longer the image remains. In an extreme case, the image is displayed permanently.

The ghost image usually disappears by itself if the screen remains off for a long period or the screen content changes, for example, when the screen saver is activated. Screen savers for the backlit active black mode reduce the burn-in effect.

- Activate a screen saver on the server.


Backlighting

The brightness of the backlighting decreases incrementally during its operating period. You can extend the life of the display and backlight by taking the following measures:


- Reduce the backlighting, see section ""System" submenu (Page 85)".
- Observe the operating period of the backlighting, see section "Technical specifications (Page 196)".

2.5 Use in hazardous areas

The following warnings apply to operating a device with Ex approval in hazardous areas.

 WARNING
<p>Do not plug or pull connectors in potentially explosive atmospheres</p> <p>If you plug in or pull out connecting plugs during operation, there is a risk of sparkover. An explosion can be triggered in the hazardous area due to sparkover, and death or serious physical injury can occur.</p> <p>Plugging or pulling connecting plugs, such as a 24 V DC power supply plug, is prohibited in a potentially explosive atmosphere.</p> <p>Only plug or pull a connecting plug when one of the following two conditions is met: The area is no longer hazardous or the device and its plug-in connections are de-energized.</p> <p>To switch off the device, close all open programs or the current project, and switch off the power to the device.</p>

Note for using the HMI device within the scope of UL approval:

 WARNING
<p>Explosion Hazard</p> <p>Do not disconnect while circuit is live unless area is known to be non-hazardous. Substitution of components may impair suitability for Class I, Division 2 or Zone 2.</p> <p>Risque d'Explosion</p> <p>Ne pas déconnecter pendant que le circuit est sous tension, sauf si la zone est non-dangereuse. Le remplacement de composants peut compromettre leur capacité à satisfaire à la Classe I, Division 2 ou Zone 2.</p>

Also read the enclosed documentation for use in potentially explosive atmospheres and the information in the section "Labels, certificates and approvals (Page 165)".

Installing and connecting the device

3.1 Preparing for installation

Points to observe when selecting the mounting location:

- Position the HMI device so that it is not subjected to direct sunlight.
- Position the HMI device such that it is ergonomically accessible for the operator.
Choose a suitable mounting height.
- Note the permissible mounting positions.

3.1.1 Checking delivery

Check the package content for visible signs of transport damage and for completeness.

Note**Damaged parts**

A damaged part will cause the HMI device to malfunction.

Do not install parts damaged during shipment. In the case of damaged parts, contact your Siemens representative.

Check the scope of supply of the HMI device (see Product package (Page 14)).

Additional documents may be included in the delivery.

The documentation is part of the HMI device and is required for subsequent commissioning. Keep all enclosed documentation for the entire service life of the HMI device. You must pass along the enclosed documentation to any subsequent owner or user of the HMI device. Make sure that every supplement to the documentation that you receive is stored together with the operating instructions.

3.1 Preparing for installation

3.1.2 Checking the operating conditions

Note the following aspects before installing the HMI device:

1. Familiarize yourself with the standards, approvals, EMC parameters and technical specifications for operation of the HMI device. This information is available in the following sections:
 - Labels, certificates and approvals (Page 165)
 - Electromagnetic compatibility (Page 170)
2. Check the mechanical and climatic ambient conditions for operation of the HMI device:
 - Mechanical environmental conditions (Page 172)
 - Climatic ambient conditions (Page 173)

3.1.3 Built-in units

3.1.3.1 Permitted mounting positions

Mounting position

The device is suitable for installation in:

- Mounting cabinets
- Control cabinets
- Switchboards
- Consoles

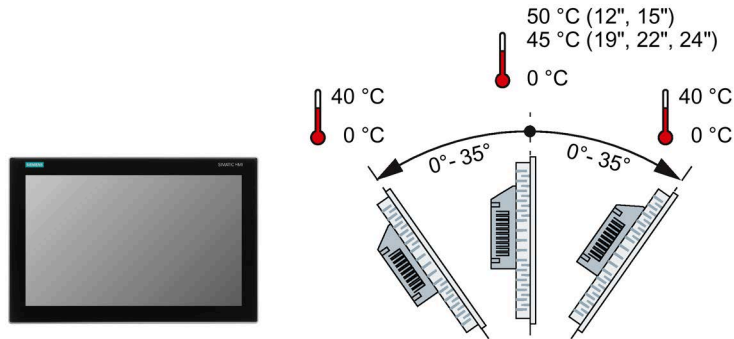
In the following, all of these mounting options are referred to by the general term "control cabinet".

The device is self-ventilated and may be installed up to an angle of $\pm 35^\circ$ to the vertical.

NOTICE
Damage due to overheating
An inclined installation reduces the convection by the device and therefore the maximum permitted ambient temperature for operation.
If there is sufficient convection from forced ventilation, the HMI device can also be operated in the inclined mounting position up to the maximum permitted ambient temperature for vertical installation. The HMI device may otherwise be damaged and its certifications and warranty will be void.
The operating temperature ranges specified in this section apply to the rear and front of the HMI device.

For detailed information regarding the permitted ambient temperatures, refer to section "Climatic ambient conditions (Page 173)".

Mounting in landscape format

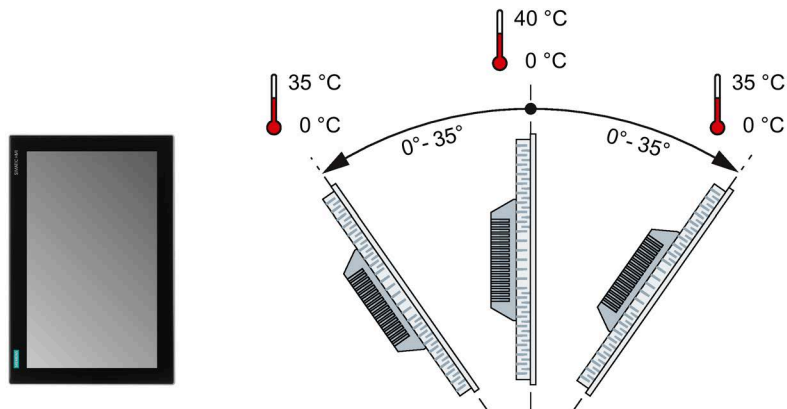


Mounting in portrait format

Note

Portrait format must also be supported by the software

Only install the HMI device in portrait format when the software used supports portrait format.



3.1.3.2 Checking clearances

The following clearances around the device are required:

- Above and below the mounting cutout for ventilation purposes: 50 mm each
- Keep 15 mm free to the right and left of the mounting cutout for inserting the mounting clips.
- At least 10 mm behind the rear panel of the device. The device depth in the control cabinet is 73.1 mm.

Note

Ensure compliance with the permissible ambient temperature when the device is installed in a cabinet and especially in a closed enclosure.

3.1.3.3 Preparing the mounting cutout

Note

Stability of the mounting cutout

The material in the area of the mounting cutout must provide sufficient strength to guarantee the enduring and safe mounting of the HMI device.

The force of the mounting clips or operation of the device may not lead to deformation of the material in order to achieve the degrees of protection described below.

Degrees of protection and installation area

The degrees of protection of the HMI device can only be guaranteed if the following requirements are met:

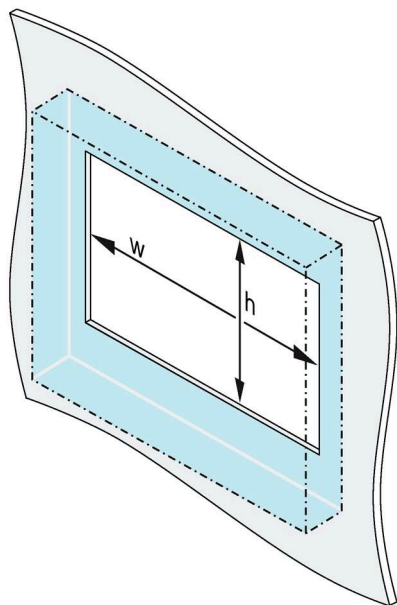
- Material thickness at the mounting cutout for degree of protection IP65 or Type 4X/12 (indoor use only, front face only): 2 mm to 6 mm
- Permitted deviation from plane at the mounting cutout: ≤ 0.5 mm
This condition must also be fulfilled for the mounted HMI device.
- Permitted surface roughness in the area of the mounting gasket: $\leq 120 \mu\text{m}$ ($R_z 120$)
- The installation area is dry and free from contamination such as dust or lubricant.

Compatibility of the mounting cutout to other HMI devices

The Industrial Thin Client built-in units are compatible with SIMATIC Industrial PCs, Industrial Flat Panels, HMI devices and SINUMERIK TOP Panels of the same series with corresponding display size.

Note that despite the same dimensions for the mounting cut-out, the device depth of ITC V3 devices can differ from the device depth of the compatible devices.

Dimensions of the mounting cutout



	w_0^{+1}	x	h_0^{+1}
ITC1200 V3	310	x	221 mm
ITC1500 V3	382	x	241 mm
ITC1900 V3	448	x	278 mm
ITC2200 V3	513	x	315 mm
ITC2400 V3	569	x	347 mm

The width and height values must be reversed accordingly for mounting in portrait format.

3.1.3.4 Installing a strain relief

Requirement

For the assembly of the strain relief bracket you require:

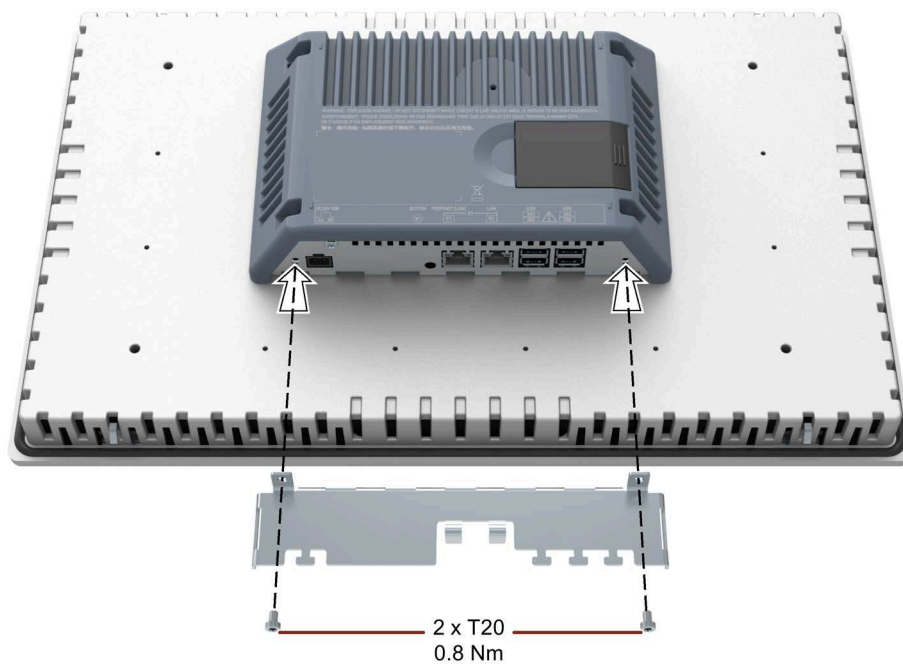
- The strain relief bracket from the scope of delivery
- A torque screwdriver with a T20 bit

Procedure

Fasten the strain-relief with the screws intended for this purpose, torque 0.8 Nm.

The screws are already inserted in the device in the delivery state.

The figure below shows an example.



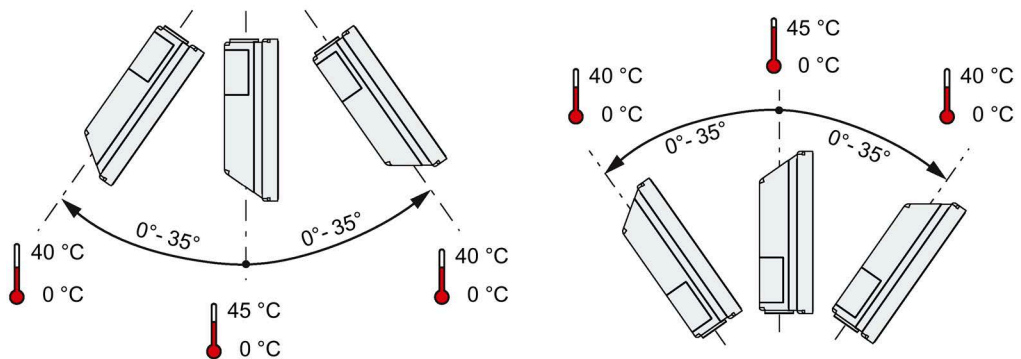
3.1.4 PRO devices

3.1.4.1 Permitted mounting positions

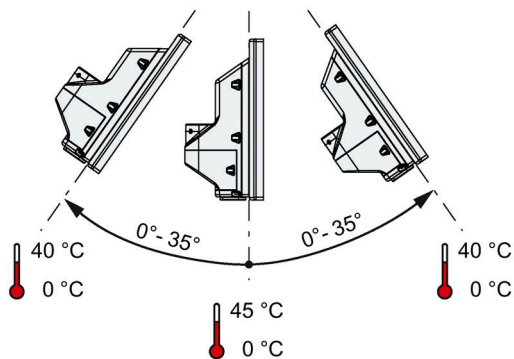
The device is intended for mounting on a support arm or stand.

The following figures show the permissible mounting positions of the different PRO devices.

PRO devices for support arm (not extendable, flange top) and for pedestal (extendable, flange bottom)



PRO devices for support arm (extendable, round tube)



Note

Mounting a PRO device in portrait format is **not** permitted.

See also

Climatic ambient conditions (Page 173)

3.1.4.2 Installing a strain relief

Requirement

For the assembly of the strain relief bracket you require:

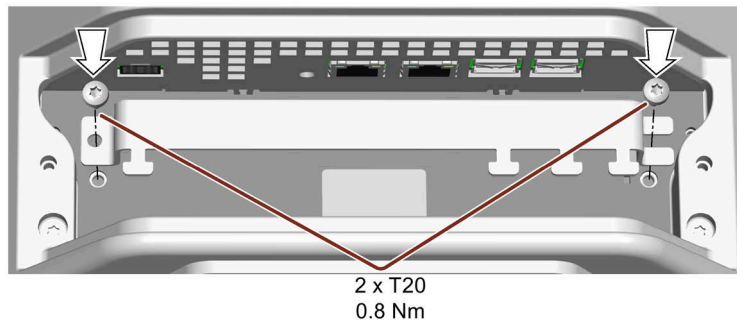
- The strain relief bracket from the scope of delivery
- A torque screwdriver with a T20 bit

Procedure

Mount the strain relief plate as follows:

1. Loosen the two screws of the terminal compartment cover and remove the terminal compartment cover.
2. Fasten the strain-relief with the screws intended for this purpose, torque 0.8 Nm. The screws are already inserted in the device in the delivery state.

The figure below shows an example.



For PRO devices for support arm (not extendable, flange top), the strain relief plate must be installed rotated by 180°.

3. If you do not install the device to a support arm or a pedestal immediately afterwards, close the terminal compartment. Fasten the terminal compartment cover with the two associated screws, torque 1.5 Nm. Check that the seal is sitting correctly.

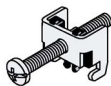
3.2 Installing the built-in unit

3.2.1 Notes on installation

<p>NOTICE</p> <p>Use according to IEC 61010-2-201 requires an appropriate enclosure</p> <p>The rear of the built-in device is classified as "Open Equipment" according to IEC 61010-2-201 for use in industrial control equipment.</p> <p>For approval and operation according to IEC 61010-2-201, the device must be installed in an enclosure or integrated in a cabinet. The enclosure or the cabinet must provide protection against electric shock and the spread of fire. The enclosure or the cabinet must meet the requirements for mechanical strength and the degree of protection for the relevant application.</p>
--

3.2.2 Positions of the mounting clips

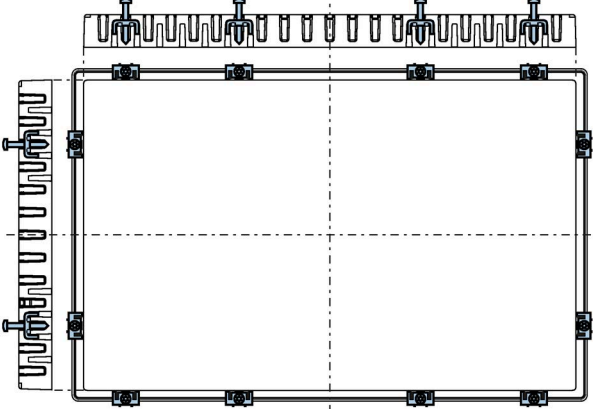
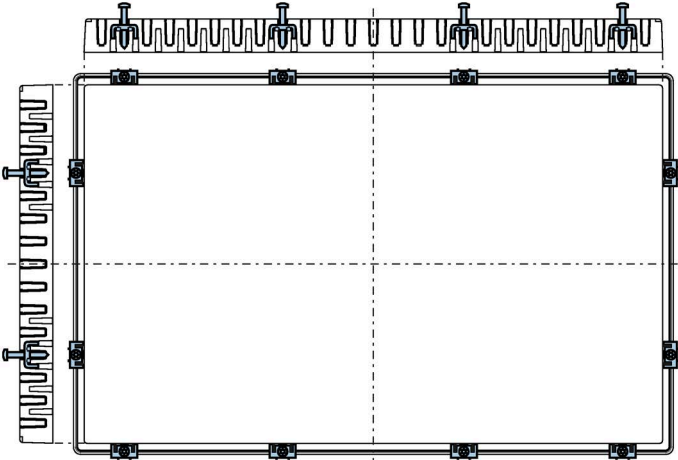
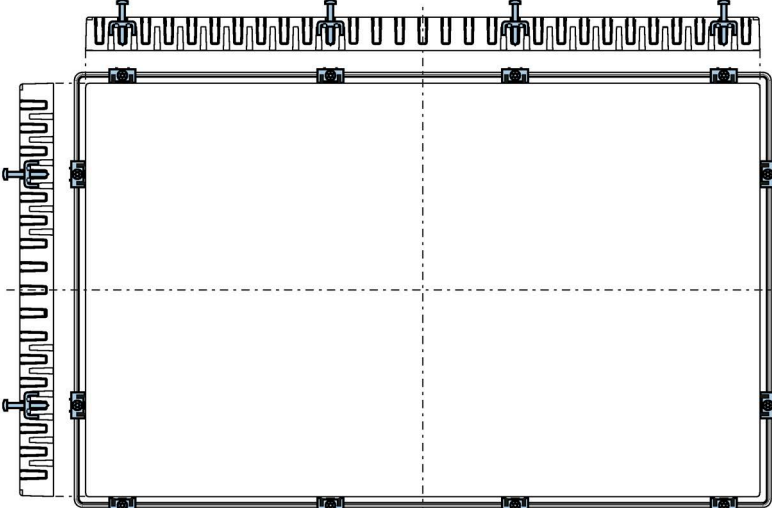
You attach the device with 12 mounting clips from the accessory kit, which are also available as an accessory.

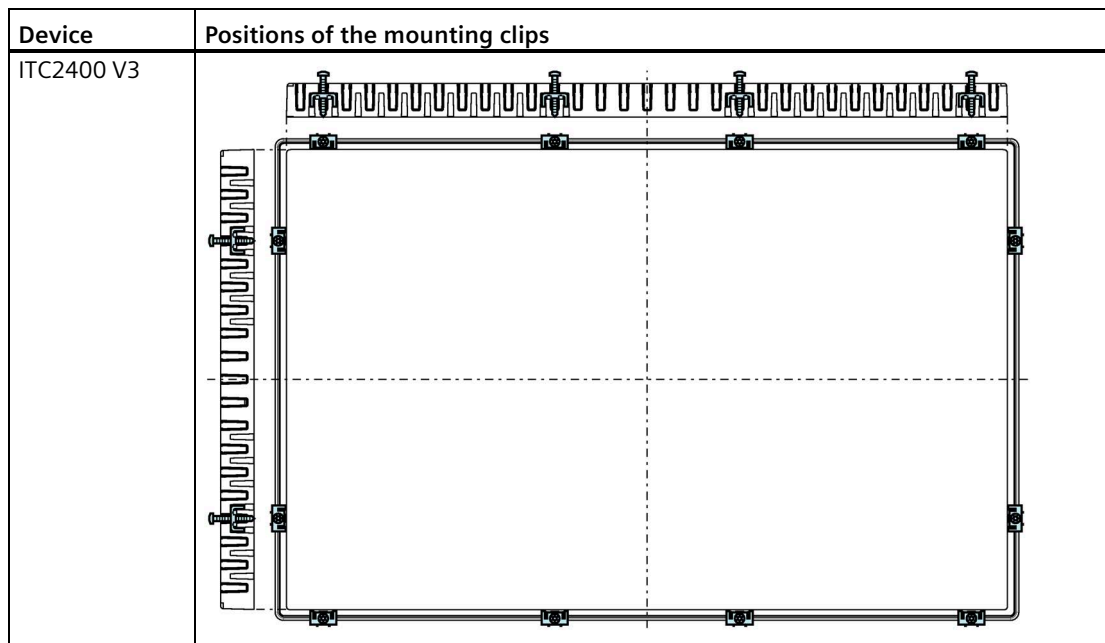


See also section "Accessories (Page 31)".

In order to achieve an IP65 degree of protection for the device, mounting clips must be installed in the following positions.

Device	Positions of the mounting clips
ITC1200 V3	

Device	Positions of the mounting clips
ITC1500 V3	
ITC1900 V3	
ITC2200 V3	



3.2.3 Fastening the device with mounting clips

Requirement

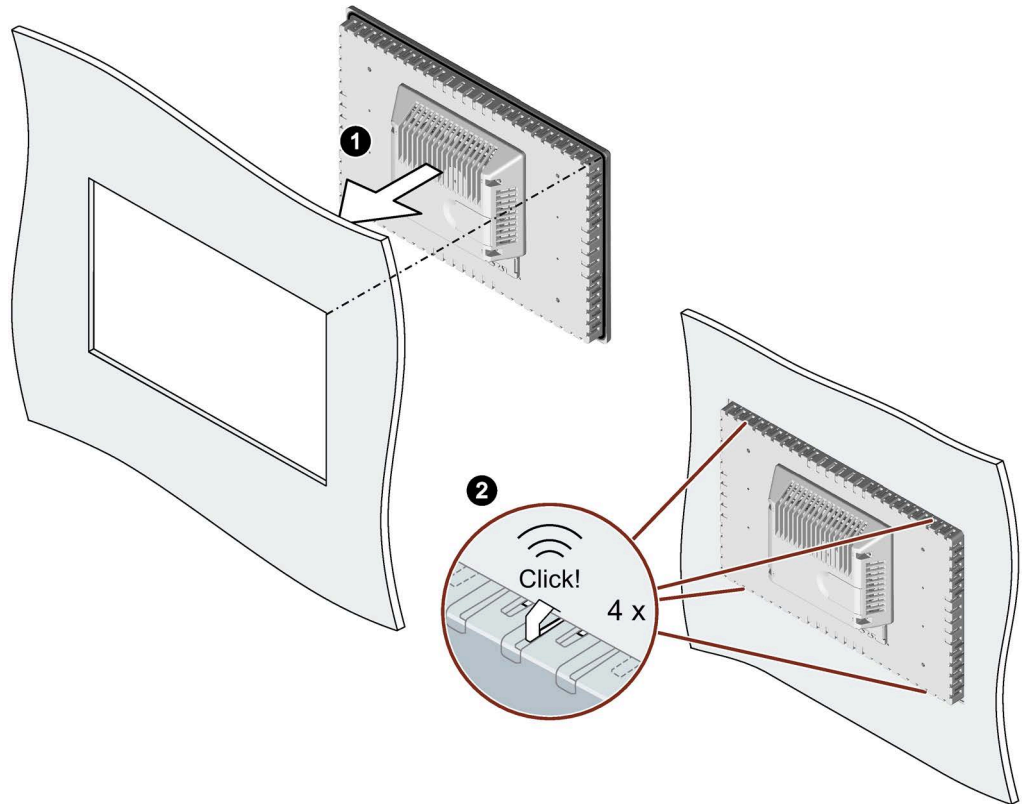
- All packaging components and protective films have been removed from the device.
- The following material and tools are available:
 - The mounting clips from the accessory kit
 - One torque screwdriver with cross-tip insert, size 2

Procedure

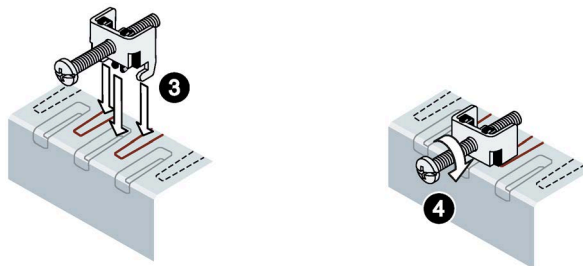
Note

If the mounting seal is damaged, the degree of protection is not guaranteed.

1. Insert the device into the mounting cutout from the front.




2. Make sure that all four spring locks on the top and bottom of the device fully engage. If necessary, gently press the device into the recess if it is not fully engaged.
3. Insert a mounting clip into the cutout provided on the device. Make sure it is in the correct position; see the section "Positions of the mounting clips (Page 46)".



4. To secure the mounting clip, tighten the grub screw with the screwdriver, torque 0.5 Nm.
5. Repeat step 3 and 4 for all mounting clamps until all clamps are fastened.
6. Check the fit of the mounting seal.

3.3 Installing a PRO device

3.3.1 Notes on mounting

 WARNING
<p>The device must be mounted securely.</p> <p>Inadequately dimensioned fasteners may cause the device to fall down. Serious physical injury may result.</p> <p>Make sure that fasteners are adequately dimensioned during installation. Make sure to consider the weight of the device and the forces acting on the device when dimensioning. This applies in particular to dynamic load of the device. All fasteners including mounting surfaces, support arm systems, and fastening elements such as screws must be able to carry at least four times the weight of the device.</p> <p>Observe any further statutory specifications applying at the location of use of the device and further applicable regulations with regard to fastening the device.</p> <p>Pay attention to the torque specifications in the following sections.</p>

NOTICE
<p>Degree of protection for overall device</p> <p>If you are using a support arm system or a pedestal system that does not have IP65 degree of protection or Enclosure Type 4X/12 (indoor use only), IP65 degree of protection or Enclosure Type 4X/12 (indoor use only) are lost for the entire device. Spray and water jets as well as penetrating substances can then damage the device.</p> <p>Use a suitable support arm system or pedestal system with IP65 degree of protection or Enclosure Type 4X/12 (indoor use only) for your application.</p>

Note

Liability disclaimer

The device is mounted to a pedestal or a support arm via the mechanical interface with screws. Siemens AG assumes no liability for the consequences of incorrect installation.

Warranty at risk

If you do not install the HMI device in accordance with the specifications in these operating instructions, the warranty for the device is voided.

- Always install the device according to these operating instructions.
- If the seal on the backplane cover is damaged, it can be repaired. For a repair scenario, following the instructions in the section "Spare parts and repairs (Page 164)".

IP65 degree of protection and Enclosure Type 4X/12 (indoor use only) at risk

If there are no seals on the mechanical interfaces or if they are damaged, IP65 degree of protection and Enclosure Type 4X/12 (indoor use only) is at risk. Check the condition and proper seating of the seals.

NOTICE**Damaging the seal when opening**

If the device has not been opened for a long time, the backplane cover or terminal compartment cover may stick to the seal of the enclosure. Opening the device with excessive force or with tools will destroy the seal. Spray and water jets as well as penetrating substances can then damage the device.

Open the terminal compartment cover gently, without too much pressure.

3.3.2 PRO devices for support arm (not extendable, flange top) and for pedestal (extendable, flange bottom)

Note**Mounting with and without a base adapter**

The SIMATIC PRO devices are designed for mounting with the base adapter. If you install the device without a base adapter, you must adjust the mechanical interface between the support arm or pedestal and the unit accordingly, including placement of an appropriate seal on the mechanical interface.

Requirement

- All packaging components and protective films have been removed.
 - Siemens base adapter with screws, included in the product package of a PRO device for support arm (not extendable, flange top) or for pedestal (extendable, flange bottom).
 - One of the following support arms or pedestal systems:
 - Support arm or pedestal with mechanical VESA interface and the corresponding Siemens adapter set
 - Support arm or pedestal with mechanical interface for the Siemens base adapter
The type of mechanical interface differs depending on the type of support arm or pedestal.
- See also section "System components for PRO devices (Page 23)".
- The following cables are fed through the pedestal or the support arm to which the device is mounted:
 - Cables for the power supply
 - Equipotential bonding cable
 - Data cables, e.g. PROFINET/Ethernet or USB cable

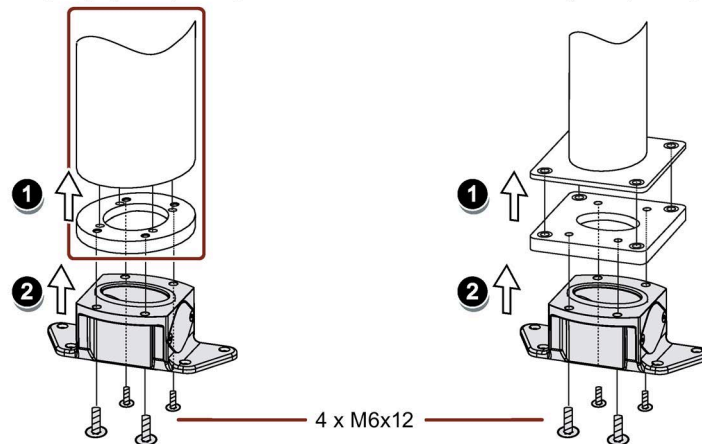
Procedure

This section describes the mounting of the device to a support arm system using example figures. Installation on a pedestal is carried out in the same way. For PRO devices for support arm (not extendable, flange top), the base adapter is screwed on from the top of the device. For PRO devices for pedestal (extendable, flange bottom) the base adapter is screwed on from the bottom of the device. A PRO device for support arm system cannot be used on a pedestal and vice versa.

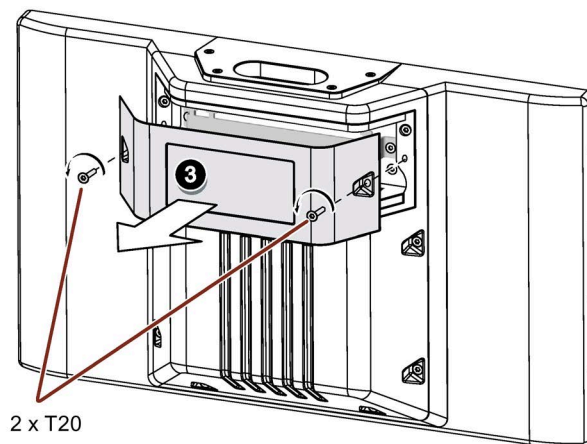
1. If an adapter plate for the Siemens base adapter is included in your support arm system, attach the adapter plate to the support arm with 4 M6x12 screws. Pay attention to the torque that is specified for the support arm.

3rd party system, example

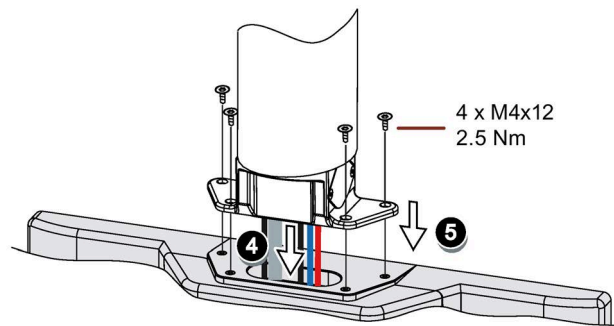
VESA system, example



2. Attach the base adapter with 4 M6x12 screws to the mechanical interface of the support arm from below. Pay attention to the torque that is specified for the support arm.
3. Loosen the 2 screws of the terminal compartment cover and remove the terminal compartment cover.



4. Insert all connection cables through the opening of the PRO device. Make sure that the connection cables are not damaged.



5. Attach the device with 4 M4x12 screws to the base adapter from the top, torque 2.5 Nm. Make sure that the connection cables are not crushed.
6. Connect all cables according to the description in the section below.
7. Fasten the terminal compartment cover to the device with the 2 screws, torque 1.5 Nm. Check that the seal is sitting correctly.

3.3.3 PRO devices for support arm (extendable, round tube)

Requirement

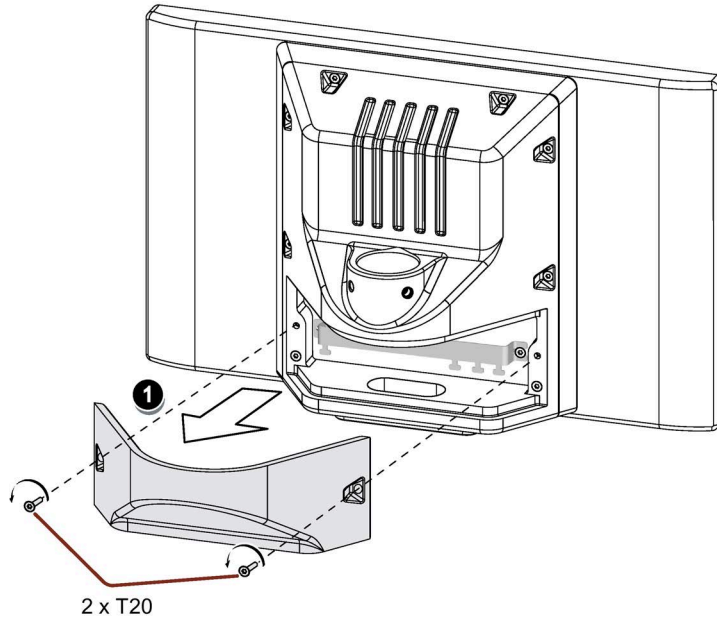
- One of the following support arm systems:
 - Support arm with round tube end with outside diameter 48.3 mm, appropriate for the opening of the PRO device
When selecting the round tube, ensure that its inside diameter is large enough so that all needed cables and their connectors can fit through.
 - Support arm with mechanical interface, suitable for the flange of the flange mount adapter, and Siemens flange mount adapter (not included in product package)
 - Support arm with mechanical VESA interface, the corresponding Siemens adapter set and the Siemens flange mount adapter (not included in product package)
- See also section "AUTOHOTSPOT".
- The PRO device, all packaging components and protective films have been removed
- The lower cover of the PRO device from the accessory kit
- The following cables are fed through the support arm to which the device is mounted:
 - Cables for the power supply
 - Equipotential bonding cable
 - Data cables, e.g. PROFINET/Ethernet or USB cable

Procedure

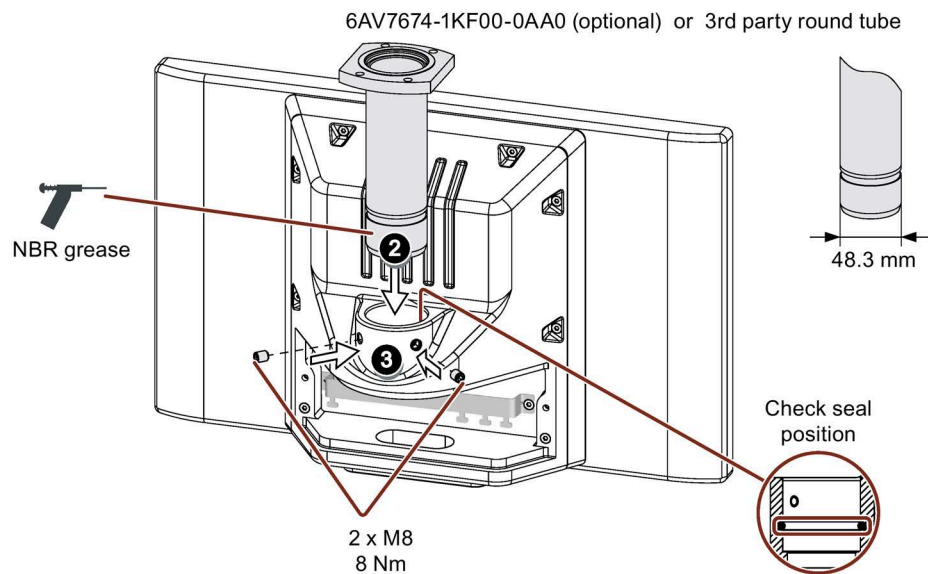
The following figures show an example of how to attach the PRO device to a support arm system using the optionally available Siemens flange mount adapter. The same approach is used to mount the PRO device to a 48.3 mm round tube.

3.3 Installing a PRO device

1. Loosen the 2 screws of the terminal compartment cover and remove the terminal compartment cover.



2. Ensure that the NBR seal is correctly seated on the inside of the mechanical interface to the flange mount adapter, see figure below. Grease the flange mount adapter or 48.3 mm round tube with grease suitable for NBR seals, and insert the flange mount adapter or 48.3 mm round tube into the corresponding opening of the PRO device.

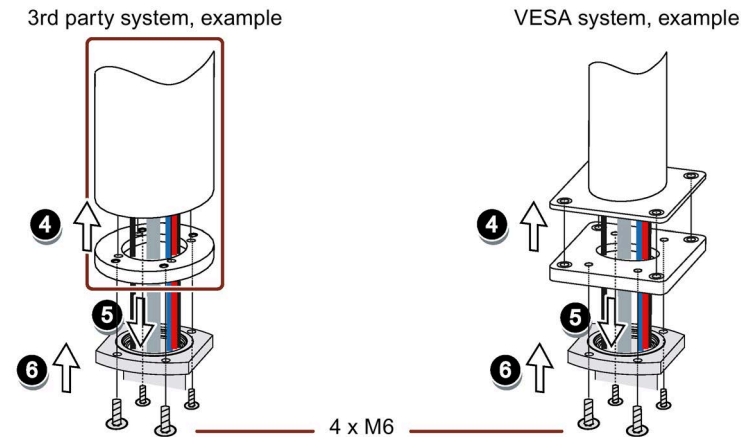


3. Attach the flange mount adapter or the 48.3 mm round tube with the two M8 threaded pins. Observe the appropriate torque:
 - Siemens flange mount adapter: 8 Nm
 - 48.3 mm steel round tube 8 Nm
 - 48.3 mm aluminum round tube: 5 Nm

- If you use an adapter plate from a Siemens VESA adapter set, attach the adapter plate to the support arm with four M6x12 screws.

If you use an adapter plate suitable for the Siemens flange mount adapter, attach the adapter plate to the support arm using the appropriate mounting hardware.

When tightening the screws, adhere to the torque that is specified for the support arm.



- Insert all connection cables through the opening of the flange mount adapter or 48.3 mm round tube into the connection compartment of the PRO device. Make sure that the connection cables are not damaged.
- If you use an adapter plate from a Siemens VESA adapter set, attach the flange mount adapter to the support arm from the bottom with four M6 screws, 16 mm to 20 mm in length.
If you do not use an adapter plate or use a different one, attach the flange mount adapter to the support arm from the bottom with four M6 screws. The length of the screws depends on the specifications for the support arm and must be at least 16 mm to ensure secure fastening of the flange mount adapter.
The screws are not included in the product package of the PRO device. Pay attention to the torque that is specified for the support arm. Make sure that the connection cables are not crushed.
- Connect all cables according to the description in the section below.
- Fasten the terminal compartment cover to the device with the 2 associated screws, torque 1.5 Nm. Check that the seal is sitting correctly.
- Attach the lower cover from the product package to the PRO device with 4 M4x12 screws, torque 1.5 Nm. Alternatively, you can extend the PRO device by adding an Extension Unit at the bottom. Observe the associated documentation.

3.4 Connecting the device

3.4.1 Notes on connection

Connecting cables

Use only shielded standard cables as data connection cables. You can find order information on the Internet (<https://mall.industry.siemens.com>).

Note

Disconnect SELV/PELV circuits from other circuits or insulate the cables

The wiring of the SELV/PELV circuits must be disconnected from other circuits that are not SELV/PELV or the insulation of all conductors must be rated for the higher voltage. Alternatively, a grounded shielding or additional insulation must be arranged around the wiring for SELV/PELV circuits or other circuits based on IEC 60364-4-41.

Note for using the HMI device in the geographical scope of the UL approval:



CAUTION

Use copper cables at connectors with terminal connections

Use copper (Cu) cables for all supply lines that are connected to the device with terminals, e.g. 24 V DC power supply cables to the 24 V DC power supply connectors.

Utiliser des câbles en cuivre sur les connexions à bornes

Utilisez des câbles en cuivre (Cu) pour tous les câbles d'alimentation qui sont raccordés à l'appareil par des bornes, par exemple les câbles d'alimentation 24 V CC sur le connecteur d'alimentation 24 V CC.

Connection sequence

NOTICE**Damage to the HMI device**

If you do not keep to the connection sequence you could damage the HMI device.

Be sure to connect the HMI device in the following sequence.

1. Equipotential bonding
2. Power supply
3. PROFINET/Ethernet
4. USB devices

Disconnect the HMI device by completing the above steps in reverse order.

Connecting the cables

NOTICE**Adhere to the local installation regulations**

When connecting the cables, observe the local regulations and the local installation conditions, such as protective circuits for power supply lines.

NOTICE**Temperature resistance and insulation of the cables**

Use cables with a maximum permissible operating temperature that is at least 20 °C more than the maximum ambient temperature.

The insulation of the cables must be suitable for the operating voltage.

NOTICE**Short-circuit and overload protection**

Various measures as protection against short-circuits and overloads are required for setting up a full installation. The types of components and the degree to which the protective measures are mandatory depend on the regulation that applies to your system setup.

- When connecting the cables, make sure that you do not bend the contact pins.
- Secure the cable connectors by fastening the connector to the socket with screws.
- Provide adequate strain relief for all cables.
- The pin assignment of the interfaces is described in the technical specifications.

3.4.2 Equipotential bonding

Differences in electrical potential

Differences in electrical potential can develop between spatially separate plant components. Such electrical potential differences can lead to high equalizing currents across the data cables and therefore to the destruction of their interfaces. Equalizing currents can develop if the cable shielding is terminated at both ends and grounded to different plant components.

Differences in potential may develop when a system is connected to different mains supplies.

General requirements for equipotential bonding

Differences in potential must be reduced by means of equipotential bonding in order to ensure trouble-free operation of the relevant components of the electronic system. The following must therefore be observed when installing the equipotential bonding circuit:

- The effectiveness of equipotential bonding increases as the impedance of the equipotential bonding conductor decreases or as its cross-section increases.
- If two plant components are interconnected by means of shielded data cables and their shielding is bonded at both ends to the grounding/protective conductor, the impedance of the additionally installed equipotential bonding cable must not exceed 10% of the shielding impedance.
- The cross-section of an equipotential bonding conductor must be capable of handling the maximum equalizing current. Equipotential-bonding cables are required between two control cabinets with a minimum conductor cross-section of 16 mm².
- Use equipotential bonding conductors made of copper or galvanized steel. Establish a large surface contact between the equipotential bonding conductors and the grounding/protective conductor and protect them from corrosion.
- Clamp the shield of the data cable from the HMI device flush at the equipotential bonding rail using suitable cable clamps. The equipotential bonding rail should be as close to the HMI device as possible.
- Route the equipotential bonding conductor and data cables in parallel and with minimum clearance in between.

Note

Equipotential bonding cable

Cable shields are not suitable for equipotential bonding. Always use the prescribed equipotential bonding conductors for this. An equipotential bonding conductor between control cabinets must have a minimum cross-section of 16 mm². The cable between the ground bar and HMI device must have a minimum cross-section of 4 mm².

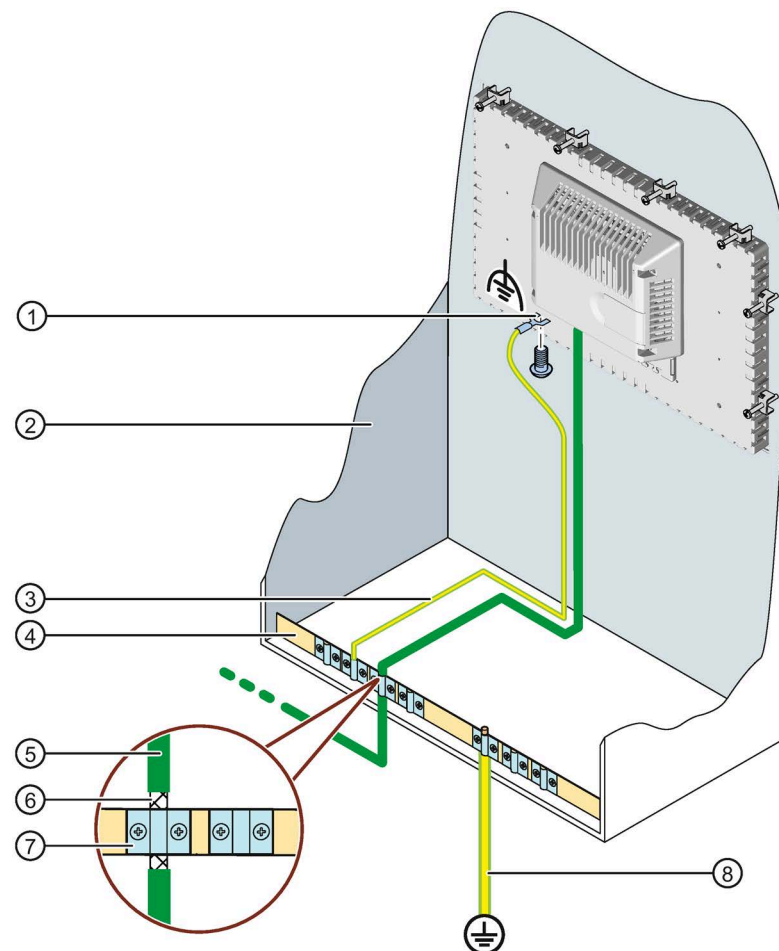
Connection diagram

The following figure shows the connection of the functional grounding for equipotential bonding using the SIMATIC ITC1900 V3 as an example and applies in the same way to the other built-in devices.

Note**Cable routing for the PRO devices**

Since the PRO device is mounted on a pedestal or a support arm instead of in a control cabinet, the connecting cables must be routed through the support arm or pedestal. The cross-sections specified for the built-in units are also valid for the PRO devices.

Follow the corresponding connection diagrams in the Quick Install Guide, which is enclosed with your PRO device.



- ① Connection for functional ground
- ② Control cabinet
- ③ Equipotential bonding cable, 4 mm²
- ④ Equipotential busbar for equipotential bonding cables, grounding connection and shield support of the data cables
- ⑤ PROFINET data cable
- ⑥ Shield of the PROFINET data cable, connected to the equipotential busbar
- ⑦ Cable clip
- ⑧ Ground bar, 16 mm²

3.4.3 Connecting the power supply

NOTICE
<p>Safe electrical isolation</p> <p>For the 24 V DC supply, use only power supply units with safe electrical isolation (SELV/PELV) in accordance with IEC 61010-2-201 or IEC 62368-1.</p> <p>The supply voltage must be within the specified voltage range. Malfunctions in the HMI device may otherwise result.</p> <p>For non-isolated plant design: Connect the connection for GND 24 V from the 24 V power supply output to equipotential bonding for uniform reference potential. Select a central termination point as far as possible.</p>

Connecting cables for the power supply connector

The power supply plug is included in the accessory kit.

For the power supply connector, use flexible cables with end sleeves according to the specification in the following table.

Cables for the 24 V DC power supply connector		Specification
Cable type		Flexible cable (Cu), with end sleeve
Connectable cable cross-sections		0.5 ... 1.5 mm ² AWG*: 20 ... 16
Number of cables per connection		1
Stripped length of the cables		7 ... 8 mm
End sleeves according to DIN 46228	Without plastic sleeve	Form A, 7 mm long
	With plastic sleeve 0.5 ... 1.5 mm ²	Form A, 7 mm long
Sheath diameter		8.5 mm
Tool		Screwdriver, tapered, 3 ... 3.5 mm
Connection system		Screw terminal
Tightening torque		0.5 ... 0.6 Nm

* American Wire Gauge

Additional information on the power supply connector supplied and other permissible power supply connectors can be found in the section "Accessories (Page 31)".

Connecting the power supply

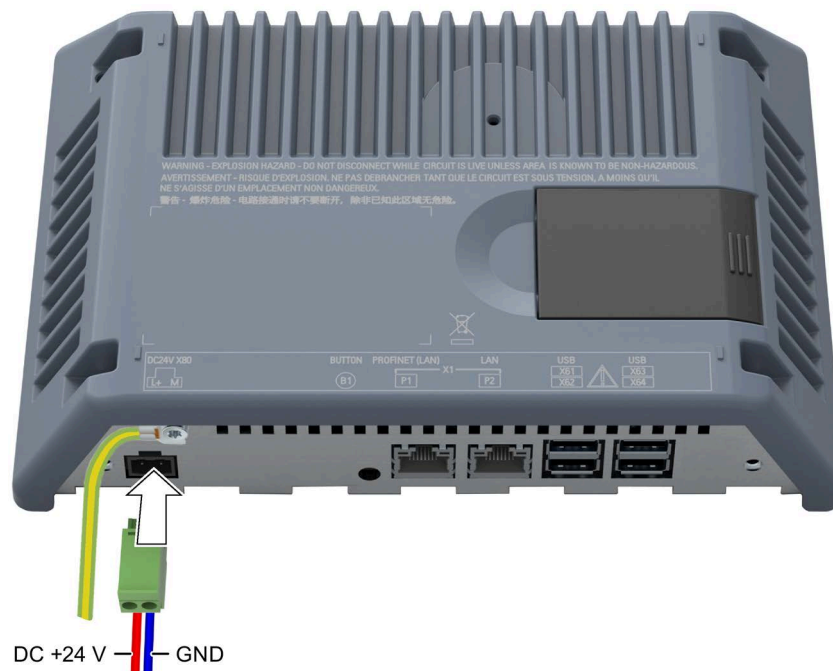
NOTICE

Do not damage the socket

Do not tighten the screws of the power supply connector if it is plugged into the HMI device. The pressure from the screwdriver may otherwise damage the HMI device socket.

Connect the power cables when the power supply is disconnected from the HMI device.

1. Switch off the power supply.
2. Connect the power supply cables to the power supply connector as shown by way of example in the following figure. Observe the cable specification in the table above.



3. Connect the power supply connector to the corresponding socket of the HMI device. Check for correct polarity of the cables by referring to the interface labeling on the back of the HMI device.

Reverse polarity protection

The device is equipped with reverse polarity protection.

See also

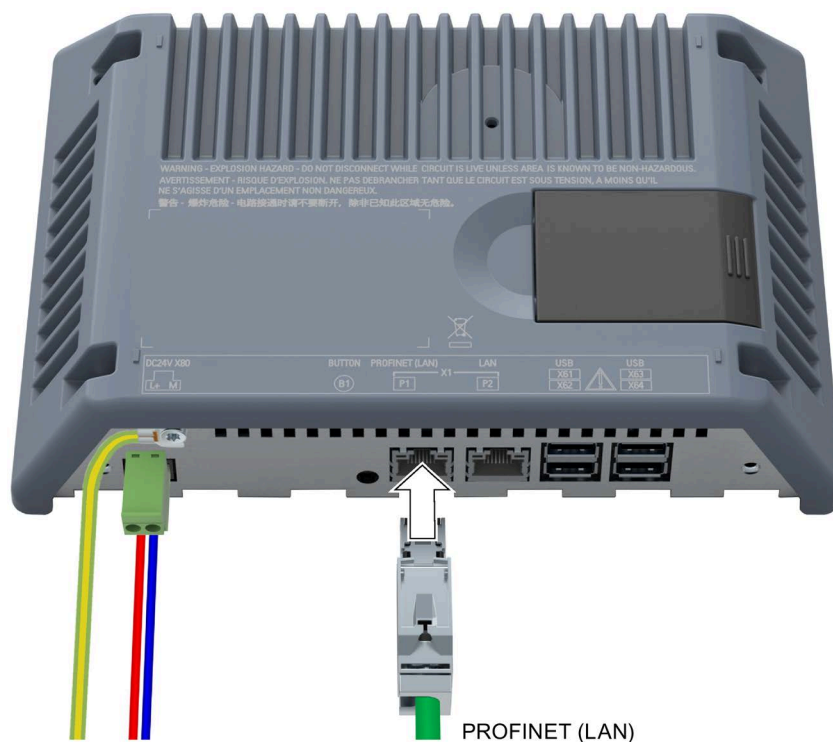
Interfaces (Page 22)

Power supply (Page 199)

3.4.4 Connecting device to the server

Connection diagram

The following figure shows the connection between the device and the server via PROFINET/Ethernet.



For PROFINET communication, use interface X1 P1 "PROFINET (LAN)", e.g. to use topology detection.

Procedure

1. Connect the PROFINET/Ethernet cable to the PROFINET (LAN) interface on the device.
2. Connect the PROFINET/Ethernet cable to the network or server.

See also

Interfaces (Page 22)

PROFINET (LAN), LAN - 10/100/1000 MBit (Page 200)

3.4.5 Connecting a USB device

You can connect the following industrial grade devices to the USB port:

- Mouse
- Keyboard
- Industrial USB Hub 4
- USB devices

The Industrial Thin Client supports USB storage devices that have been formatted with the FAT16/32 or NTFS file system.

Additionally, exFAT formatted USB storage devices and, for connection type "RDP", the following USB readers will be supported from firmware version V3.2.2.0 onwards:

- SIMATIC MV32x optical handheld readers
- SIMATIC RF10xxR readers, which can be used, for example, in conjunction with the PM-LOGON or SIMATIC Logon software.

Please note the detailed information on the use of USB devices in the following chapters:

- Use USB memory devices (Page 123)
- Using a USB reader (Page 124)

Note

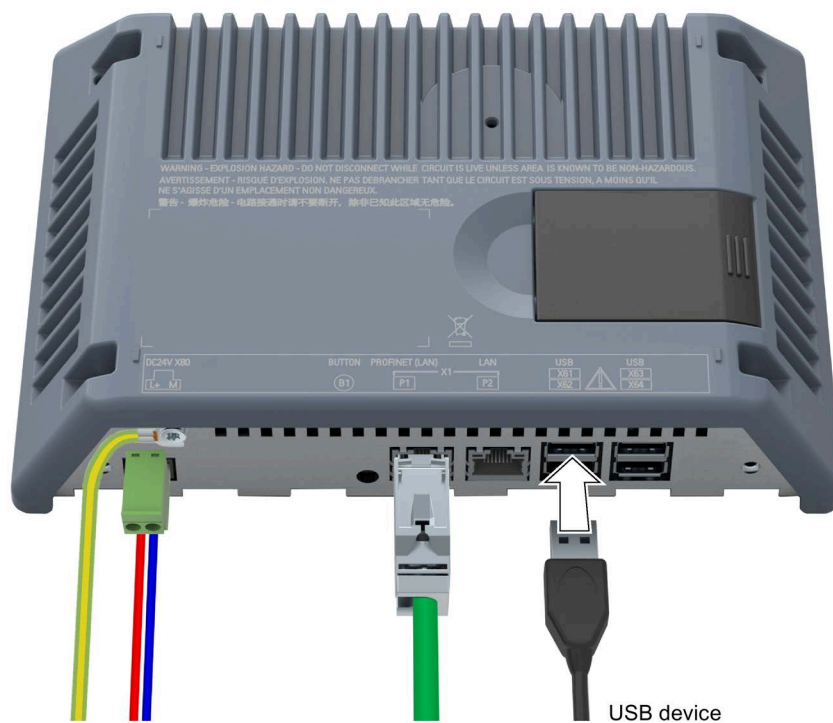
Malfunction of the USB port

If you wish to connect a USB device with its own power supply to the USB port, ensure that the USB ground connection of the external device is connected to the ground.

You can find additional information in section "Accessories (Page 31)".

Connection diagram

The figure below shows an how to connect a USB device.



See also

[Interfaces \(Page 22\)](#)

[USB \(Page 200\)](#)

3.4.6 Switching the device on, testing it and switching it off

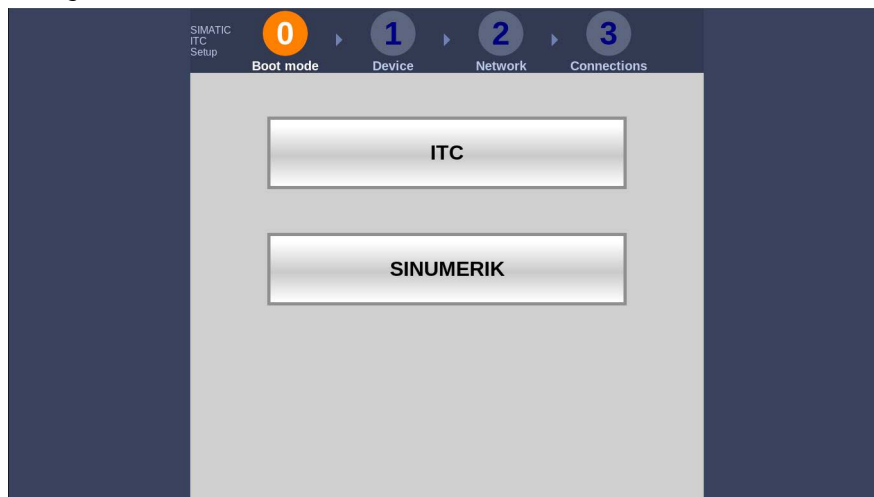
Execute a function test after connecting.

Function test

1. Switch on the power supply of the HMI device.

If the device fails to start, you might have crossed the wires on the power plug. Check the connected cables and change their polarity.

If the HMI device is properly connected, then you will see in the first commissioning dialog:



2. Switch the operator control off or perform the commissioning depending on the desired operating mode according to the following sections:
 - ITC commissioning (Page 79)
 - SINUMERIK commissioning (Page 125)

Shutdown the device

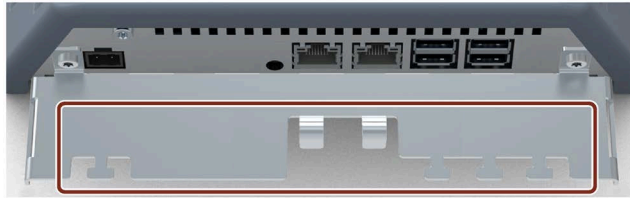
Proceed as follows:

1. Exit all open programs and ITC or SINUMERIK connections with the HMI device.
2. Turn off the power supply to the HMI device.

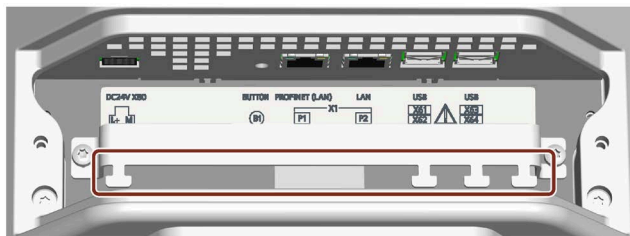
3.4.7 Securing cables

After connecting the cables, secure the cables with cable ties on the marked fastening elements.

Built-in units



PRO devices



See also

Installing a strain relief (Page 43)

3.4.8 Securing cables for use in hazardous areas

When devices with Ex approval are used in hazardous areas, note that the connectors must be secured in a captive manner at the interfaces.

! WARNING

Explosion hazard from sparks when connectors come loose

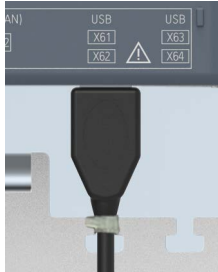
If a plug connector comes loose from the associated device interface during operation in a hazardous area, a spark over at the interface may cause an explosion. Death or serious physical injury as well as property damage may result.

For use in hazardous areas, it must be ensured that the plug connectors of the cables are fully connected to the respective interface and cannot come loose from the interfaces in any case. With SIMATIC HMI Industrial Thin Clients, this danger only exists at the USB interfaces.

Secure all connected USB cables directly at the transition between plug and cable to the nearest mounting element using a cable tie. Tighten up all cable ties in such a way that they fully wrap around the respective cable but do not damage the cable.

Use the appropriate mounting elements to secure the connected USB cables, as described in the previous chapter.

The following figure shows an example of how to captively secure a USB plug.



3.5 Removing the device

3.5.1 Removing the built-in unit

The HMI device is generally removed by following the steps taken to install it but in the reverse order.

Procedure

Proceed as follows:

1. Exit all open programs and ITC or SINUMERIK connections with the HMI device.
2. Switch off power to the HMI device.
3. If you use the HMI device in a hazardous area, ensure that both of the following conditions are met: The area is no longer hazardous or the operator control and its plug-in connections are de-energized.
4. Remove all cable ties which are located on the operator control to relieve strain from the connection cables.
5. Remove all connector plugs and the equipotential bonding from the operator control.
6. Secure the operator control so that it cannot fall out of the installation slot.
7. Remove the screws from the cover of the mounting clip and remove all mounting clips.
8. Replace the operator control from the installation slot.

See also

Installing the built-in unit (Page 46)

Connecting the device (Page 56)

3.5.2 Removing a PRO device

The HMI device is generally removed by following the steps taken to install it but in the reverse order.

Procedure

Proceed as follows:

1. Exit all open programs and ITC or SINUMERIK connections with the HMI device.
2. Switch off power to the HMI device.
3. If you use the HMI device in a hazardous area, ensure that both of the following conditions are met: The area is no longer hazardous or the device and its plug-in connections are de-energized.
4. Open the connection bay by removing the connection bay cover.
5. Remove all cable ties which are located in the connector compartment on the operator control to relieve strain from the connection cables.
6. Remove all connector plugs and the equipotential bonding from the operator control.
7. Replace the operator control from the support arm or pedestal. Make sure that the connection cables are not damaged.
8. Fasten the terminal compartment cover to the device with the 2 screws, torque 1.5 Nm.

See also

Installing a PRO device (Page 50)

Connecting the device (Page 56)

Operating the device

4.1 Overview

Introduction

If you are using the device to access a server, the screen display of the server is shown on the device. You operate the server screen from the device.

Operator input options

The following operator input options are available, depending on the peripherals that are connected to your device:

- External keyboard, connected via USB
- External mouse, connected via USB
- Touch screen

You control operating elements by touching with your finger.

To double-click, touch an operating element twice in rapid succession. The server can be configured for opening folders and files with a single click.

Depending on the features of the server to which the Industrial Thin Client is connected, the capacitive touch screen provides single-touch or multi-touch functionality.

WARNING

Unintentional actions

In conjunction with a server configured for single-touch operation, operate only one operating element on the screen at a time.

Otherwise, you can trigger unintended reactions.


On-screen display for remote access to a server

The server screen is displayed as a full screen.


4.2 Notes on the capacitive touch screen

4.2.1 General information

The following information applies to all devices with a capacitive touch screen, regardless of whether the touch screen is operated in single-touch or multitouch mode.

 WARNING
Personal injury or property damage due to no earth connection
An inadequate earth connection or the lack of one may cause malfunction of the capacitive touch screen. Functions may not work properly. This can result in personal injury or property damage.
<ul style="list-style-type: none">• Always connect the device to an earth conductor.• The earth conductor from the device must be connected directly to earth with low impedance (short connection, minimum cross-section 4 mm²).

You can find additional information on connecting the ground conductor in the section "Equipotential bonding (Page 58)".

 WARNING
Personal injury or property damage due to maloperation
Incorrect operation of devices with a touch screen can occur. This can result in personal injury or property damage.
Take the following precautions:
<ul style="list-style-type: none">• Configure the plant so that safety-related functions are not operated with the touch screen.• Switch off the device for cleaning and maintenance.

NOTICE
Damage to the touch screen
Operation of the touch screen in the following ways will reduce its service life up to and including total failure:
<ul style="list-style-type: none">• Touching it with a pointed or sharp object• Abrupt impact with solid objects
Use only your finger or a touch pen to touch the touch screen.

Note

Do not touch the touch screen during startup

During the startup process, the device automatically calibrates the capacitive multitouch screen. The touch screen is locked during calibration.

Do **not** touch the touch screen during startup. Make sure that you do **not** rest on the touch screen with the palm of your hand during startup.

Make sure that there are **no** conductive liquids on the touch screen during startup.


Security functions in an industrial environment

The touch screen is locked for security reasons when following happens:

- There is a conductive liquid on the touch screen with ground contact via the enclosure or the operator, for example.
- An electromagnetic disturbance has an effect which exceeds the specification in the technical specifications of the device, see section "Electromagnetic compatibility (Page 170)".

Once the interference is over, the touch screen is no longer locked.

4.2.2 Devices with capacitive single-touch screen

 WARNING
Danger of malfunction due to improper execution of gestures on the touch screen
If gestures are executed incorrectly on the capacitive single-touch screen, these gestures may not be recognized or could be recognized incorrectly. The entries made are then not implemented by the device or are implemented incorrectly or in an unintended manner.
Incorrect execution of the functions can lead to errors in the operation of the plant and thus to physical injury.
Note when operating the capacitive single-touch screen:
<ul style="list-style-type: none">• The touch screen reacts to contact on its surface, not to pressure.• When using a touch pen: Operate the touch screen only with a touch pen for capacitive touch.• Avoid unintended multiple touches, for example, with your knuckles.

Notes on operation

Note when operating the capacitive single-touch screen:

- Surface contact with a diameter of about 5 to 20 mm is required for an operator action to be detected.
- An operation with gloves with a material thickness of <2 mm is detected in most cases. However, check the usefulness of the gloves you are using.
- To avoid incorrect operation, certain inputs are ignored and blocked from further entry:
 - Simultaneous operation with multiple fingers.
 - Surface contact with a diameter of > 3 cm, for example, resting the palm of the hand on the touch screen
 - As soon as the touch screen is no longer touched, input is possible again.

Functions of the capacitive single-touch screen

- Automatic calibration of the touch screen during startup; manual calibration is not necessary.
- Touch and gesture control according to the operation capabilities of the device to which your ITC V3 device is connected.

4.2.3 Operating a device with capacitive multi-touch screen

You operate the multi-touch screen with one or multiple fingers. You can also operate it using gestures with up to five fingers at a time.



WARNING

Danger of malfunction due to improper execution of gestures on the touch screen

If gestures are executed incorrectly on the touch screen with multi-touch function, these gestures may not be recognized or could be recognized incorrectly. The entries made are then not implemented by the device or are implemented incorrectly or in an unintended manner.

Incorrect execution of multi-touch functions can lead to errors in the operation of the plant and thus to physical injury.

Note the following when operating the touch screen with multi-touch function:

- The touch screen reacts to contact on its surface, not to pressure.
- When using a touch pen: Operate the touch screen only with a touch pen for capacitive touch.
- Avoid unintended multiple touches, for example, with your knuckles.

Before you start to operate the device, make sure you are familiar with the multi-touch functions of the Windows operating system, as well as with the application to be used and its functions. Ensure that the gestures which the user executes on the multi-touch display are recognized by the application. It is possible that certain gestures need to be trained beforehand.

Notes on operation

Note when operating the multi-touch screen:

- Surface contact with a diameter of about 5 to 20 mm is required for an operator action to be detected.
- An operation with gloves with a material thickness of <2 mm is detected in most cases. However, check the usefulness of the gloves you are using.
- To avoid incorrect operation, certain inputs are ignored and blocked from further entry:
 - Simultaneous operation with more than 5 fingers.
 - Surface contact with a diameter of > 3 cm, for example, resting the palm of the hand on the touch screen
 - As soon as the touch screen is no longer touched, input is possible again.

Functions of the multi-touch screen

- Detection of up to 5 finger touches at a time.
- Detection of gestures that are supported by the operating system or the software installed on the device.

Note

Multi-touch operation can provide advanced features or pose limitations depending on the operating system and the software installed on the device. Read the corresponding documentation.

- You do not need to calibrate the touch screen. Some operating systems do offer touch calibration. However, this calibration does not lead to any improvement in accuracy.

ITC Operating mode

5.1 System requirements

The following list shows the operating system and software requirements depending on the specific connection type.

- RDP, Sm@rtServer

RDP	Sm@rtServer	
X		Windows Server 2008 R2 (64-bit)
X		Windows Server 2012 R2 (64-bit)
X		Windows Server 2016 (64-bit)
X		Windows Server 2019 (64-bit)
X		Microsoft Windows 7 SP1 (32-bit and 64-bit)
X		Microsoft Windows 10 (32-bit and 64-bit)
X		Microsoft Windows 11 (64 Bit)
	X	As of SIMATIC WinCC V14 (TIA Portal) with the options: <ul style="list-style-type: none"> • SIMATIC WinCC Sm@rtServer for SIMATIC Panels • SIMATIC WinCC Sm@rtServer for Runtime Advanced

- VNC: The following protocols are supported for the following versions: RealVNC 6.0.1, TightVNC 2.8.5 and UltraVNC 1.2.1.0
- WinCC OA: The connection to WinCC OA is supported as of version WinCC OA 3.16. Support with an earlier version can be requested from the WinCC OA team. Additional information can be found on the Internet at the following address: SIMATIC WinCC Open Architecture (<https://new.siemens.com/global/en/products/automation/industry-software/automation-software/scada/simatic-wincc-oa/wincc-oa-basic-software.html>)
- Citrix: The current Citrix version is supported. The corresponding system requirements apply. Additional information can be found on the Internet at the following address: Citrix product page (<https://www.citrix.com/products.html>)
- Web access via HTML5

See also

Technical support (<https://support.industry.siemens.com>)

5.2 Typical applications

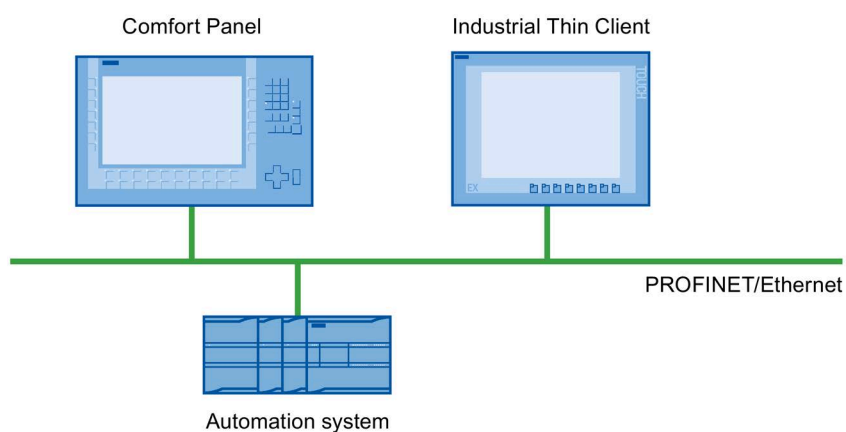
Industrial Thin Clients can be used as operator terminals in different scenarios. With the Industrial Thin Client, for example, you can access an HMI device and hence control a work process. You can also use the Industrial Thin Client to run Office applications on a server, for example, on a PC and modern web applications.

Typical applications are presented in the following.

Access to a Sm@rtServer

The Industrial Thin Client accesses an HMI device or industrial PC as a Sm@rtServer client using the SIMATIC WinCC Sm@rtServer option. You operate and monitor the WinCC project (TIA Portal) of the device on which the Sm@rtServer is activated.

The following figure shows one possible configuration.

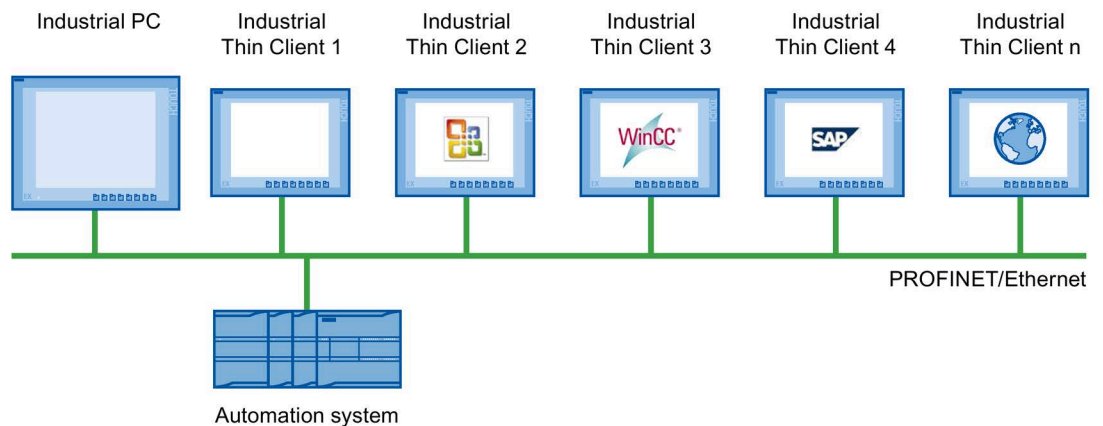


Access to a server via "RDP".

The Industrial Thin Client uses RDP (Remote Desktop Protocol) to access a server, such as an industrial PC or a PC. The following applications are also possible.

- WinCC/Web Navigator
The Industrial Thin Client uses an Internet browser on the server to access the WinCC Web Navigator as a Web Navigator client. In this case, the Windows Server operating system must be installed on the server. For more information, refer to the documentation for the WinCC/Web Navigator option.
- The Industrial Thin Client accesses an Office application (e.g., MS Excel) or SAP application on the server. In contrast to the Windows Server operating systems, you can only operate one screen with Windows 7. The other monitor is always blocked.
- The Industrial Thin Client accesses an Office application, such as MS Excel, running with the Windows Server operating system or a SAP application on the server.

The following figure shows one possible configuration with the Windows Server operating system on an Industrial PC or a PC.

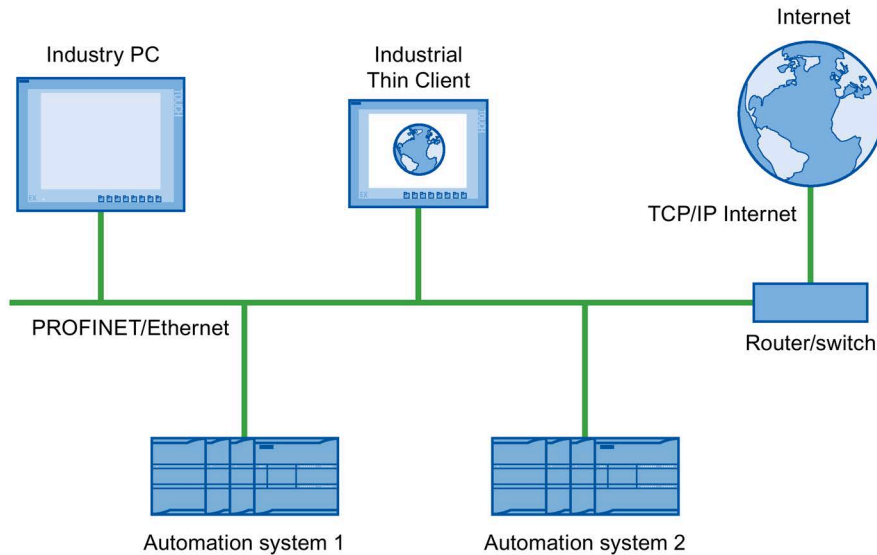


Access to a server via "VNC"

You use VNC in a similar way as RDP to remotely monitor and run a PC and to monitor its screen outputs. In contrast to RDP, all clients display the same server screen.

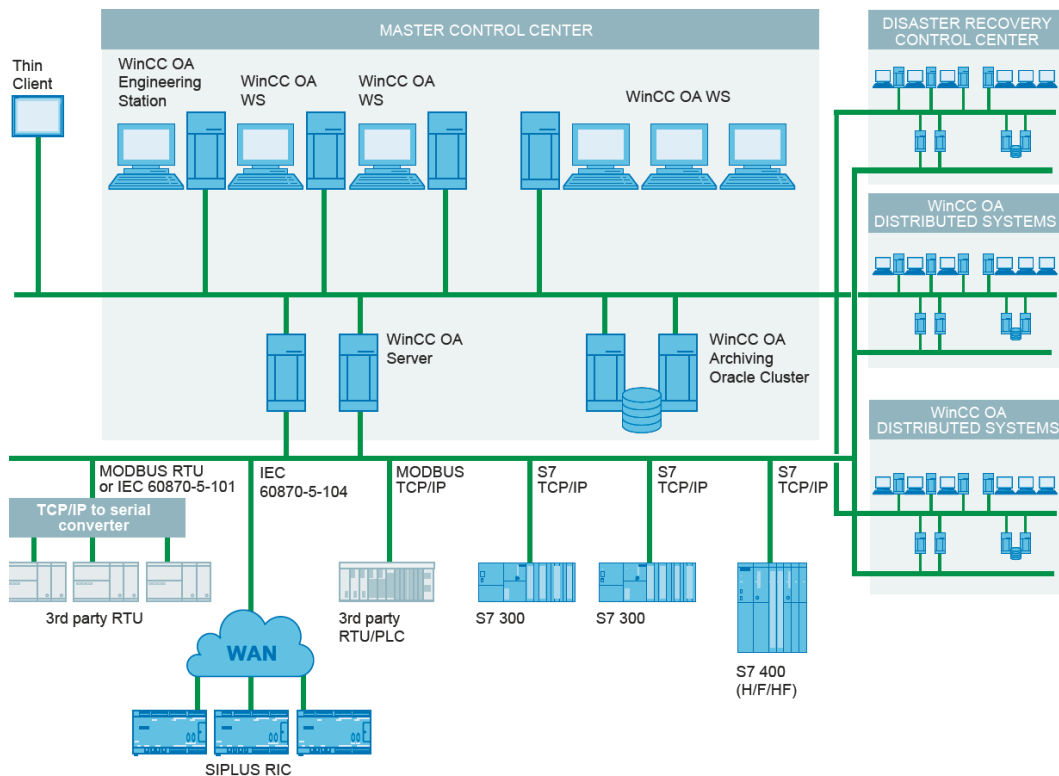
Access to a web server via "Web"

The Industrial Thin Client displays applications and the content of a web server using the integrated web browser functionality. Web-based content may be diagnostic or user-specific web pages of an S7 controller (PROFINET), for example, or content from the Intranet/Internet.



Access to a web server via the "WinCC OA"

The Industrial Thin Client operates similarly to a SIMATIC WinCC OA WebClient. The WinCC OA server makes the client component available to the Industrial Thin Client.



5.3 ITC commissioning

Requirement

The device is connected according to the description in these operating instructions to the 24V DC power supply and equipotential bonding is connected.

Procedure

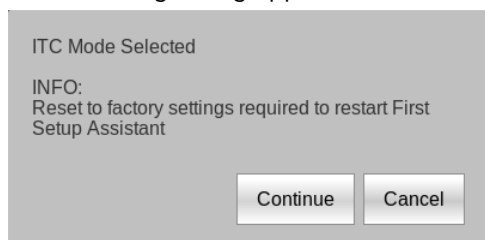
1. Switch on power to the Industrial Thin Client.

The first commissioning dialog to select the operating mode is displayed.



2. Select the operating mode "ITC".

The following dialog appears:



3. Confirm the dialog with the "Continue" button.

The device starts in ITC operating mode. Information regarding the included free software is displayed during startup.

The Setup Wizard guides you in setup steps 2 through 4 through the configuration of selected device and network data as well as passwords and connection settings.

4. Follow the instructions of the Setup wizard.

The Setup Wizard remains open until the configuration settings are validated.

5.4 Interrupting and restoring a connection

The first commissioning was successful if one of the following conditions applies:

- The taskbar is displayed.
- The configured startup connections are established.

Result

The first commissioning has been completed and the operating mode has been defined. In the future, the device starts in ITC operating mode and the first commissioning dialogs are no longer displayed.

To re-commission, you must reset the device to factory settings or update the firmware, see section ""System" submenu (Page 85)".

5.4 Interrupting and restoring a connection

Introduction

The connection to the server can be interrupted in several ways:

- The server is offline or has not completed its startup sequence.
- The password is incorrect.
- A firewall is blocking server access.
- The server has been shut down, for example, for maintenance purposes.
- The PROFINET/Ethernet network cable has been disconnected.
- A connection problem occurred in the network.
- A client-server connection was started on another device which logs onto the server with the same data. The client-server connection running on your device is then terminated.

Note that there can be multiple client-server connections at one time.

Automatic connection establishment

The device offers the possibility to re-establish an interrupted physical connection automatically. There are two basic standard cases for this:

- Initial start of a connection
The connection cannot be established because the server is not ready, for example. The device makes continuous attempts to establish the connection to the server.
- Existing connection
An existing connection to the server is interrupted because the network cable has been removed or the network is faulty, for example. The device attempts to re-establish the connection to the server.

You can find additional information in the section "Connection settings (Page 95)".

5.5 Assigning device parameters

5.5.1 Possible applications

The Industrial Thin Client can fulfill the following functions as an operator terminal:

- Access to an HMI device as a Sm@rtServer client via the WinCC Sm@rtServer option.
- Access as a client via the "RDP" protocol.
- Access as a client via the "VNC" protocol.
- Access a Citrix server as Citrix client.
- Access as a client on a WinCC OA server.
- Access as a web client to a web server, e.g. of an S7 controller or the Intranet.

When the device accesses a server, for example, an HMI device or a PC, as a client, the screen display of the server is shown on the screen of the Industrial Thin Client. The user uses the Industrial Thin Client to access programs or projects on the server.

Note

"Sm@rtServer", "RDP", "VNC", and "Web" are referred to as connection types in this document.

Note

The web browser of the Industrial Thin Client up to and including firmware version V3.2.0.0 is based on Firefox version ESR 52.

With firmware version V3.2.1.0, the Firefox-based web browser of the Industrial Thin Client was replaced by a Chromium-based browser. This web browser is based on Chromium Version 89.

5.5.2 Opening the configuration

This section describes how you can make configuration settings on the device.

Note

Alternatively, you can edit the configuration settings of the device via remote access from a PC, see section "Remote configuration (Page 108)".

Procedure

1. In the Start menu, press the "Start menu" icon.



2. Select the menu entry "Configuration".

The configuration settings are opened and are structured as follows:

Menu/Submenu	Content
Menu "All" (Page 83)	All configuration settings in one window
"Information" submenu (Page 84)	Device and network parameters
"System" submenu (Page 85)	Parameters for device, screen, firmware, remote maintenance and remote configuration
"Network" submenu (Page 90)	Settings for the network access
"Connections" submenu (Page 93)	Parameters for the client-server connection of the ITC
"Passwords" submenu (Page 100)	Connection password and administrator password
"Desktop" submenu (Page 103)	Parameters for displaying the ITC desktop
"Programs" submenu (Page 105)	Parameters for the web browser

3. To edit the configuration, log on as an administrator.

Note

Forced termination of connection

When you change and save the configuration settings, all started client-server connections are terminated without a confirmation prompt and all open programs are closed. The autostart connections are re-established afterwards and the new configuration settings are put into effect.

If you do not log on as administrator, you only have read access to device and network data under "Configuration > Information".

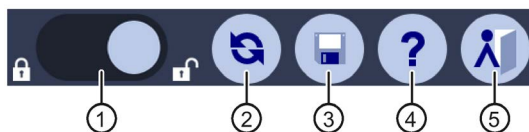
Note

Protection against unauthorized access

To protect the configuration settings from unauthorized access, assign a new administrator password immediately after first commissioning or after restoring the factory settings.

Title bar of the configuration settings

The title bar contains the following icons with the following functions:



- ① "Log on" as an administrator and then "log off"
- ② "Restart" device
- ③ "Save" configuration settings
- ④ Call "Help"
- ⑤ "Exit" configuration

NOTICE**Unintended reactions of the device**

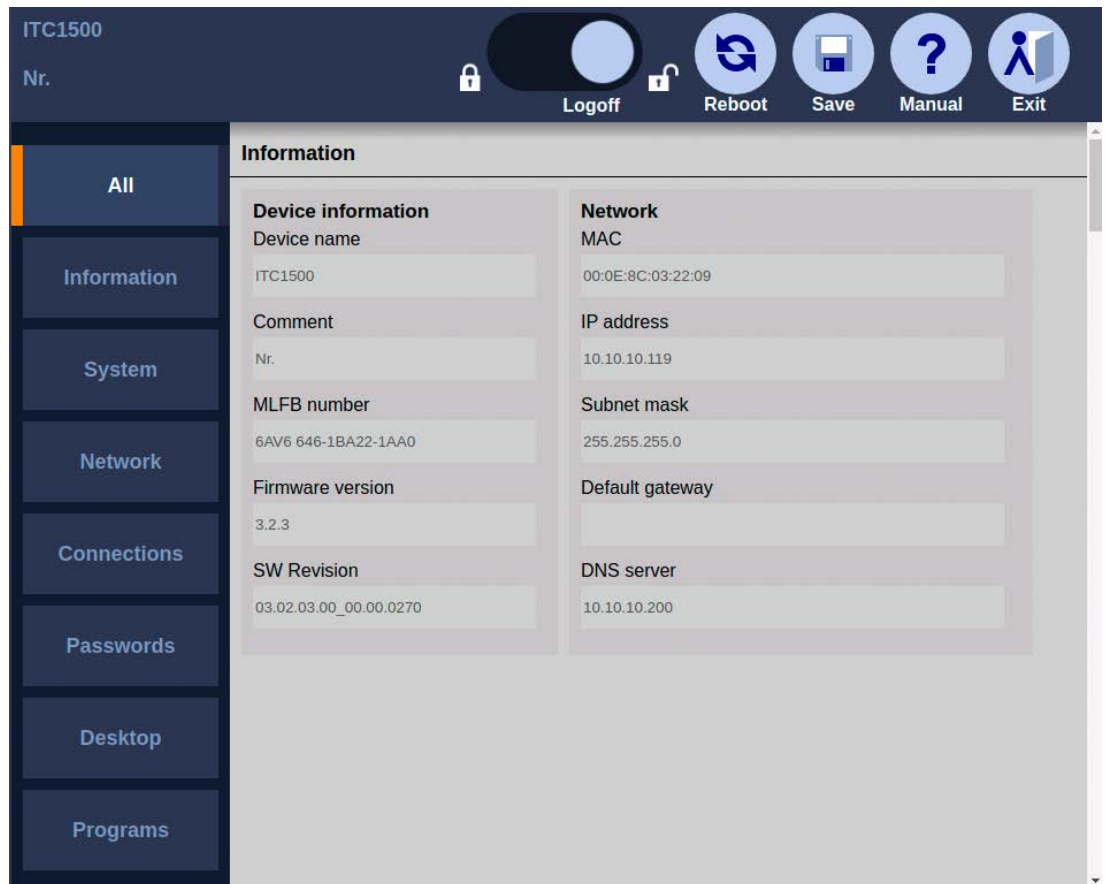
Two people can edit the configuration settings simultaneously: locally on the device and via remote configuration. The most recently saved settings are the valid settings at any given time (blue "Save" symbol).

Organize access to the configuration settings in such a way that only one person can edit the configuration settings at one time.

5.5.3 Menu "All"

Structure

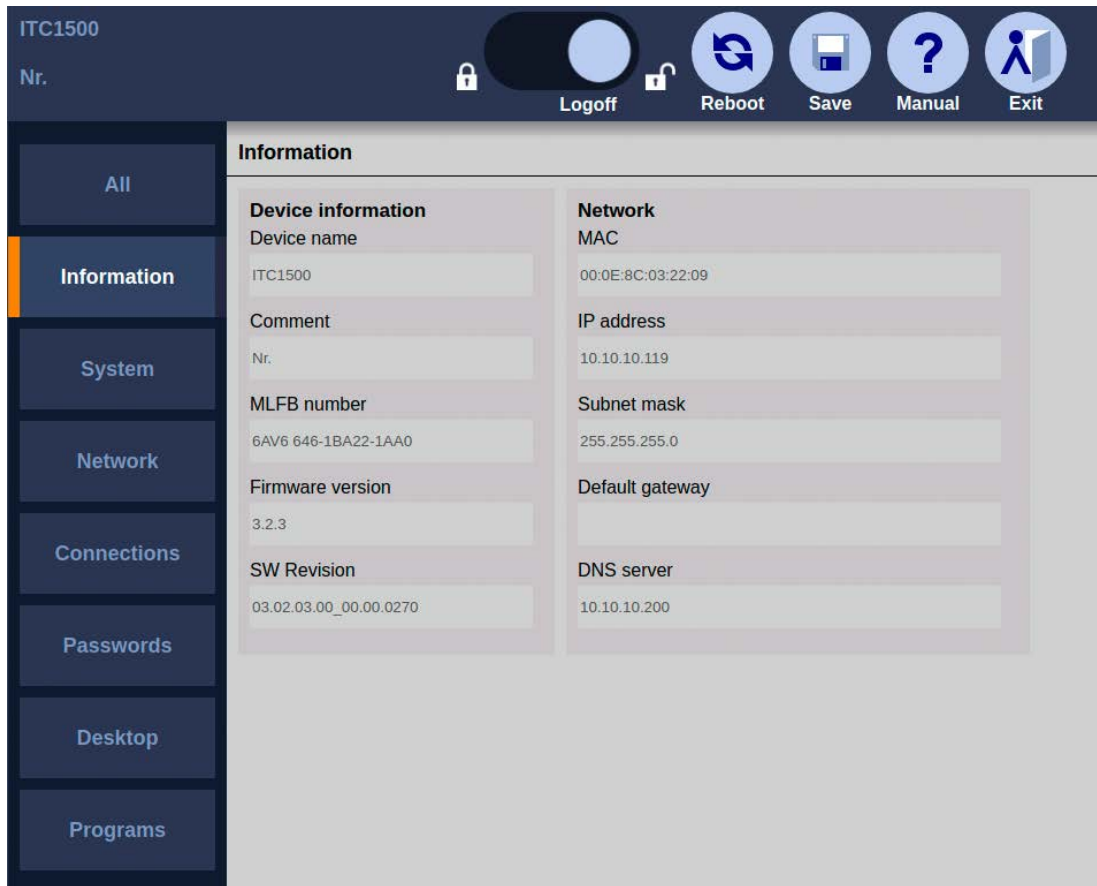
The following figure shows the "All" menu in which all the configuration settings are shown on one page.



If you are logged on as administrator, you have write access, otherwise only read access to the settings.

5.5.4 "Information" submenu

The following figure shows the device data in the Start menu "Configuration > Information".



The device data identify the device uniquely and are shown here for informational purposes only. You can change the device data via the system settings and the network settings, see sections ""System" submenu (Page 85)" and ""Network" submenu (Page 90)". The home page of the web browser also displays device data and network settings.

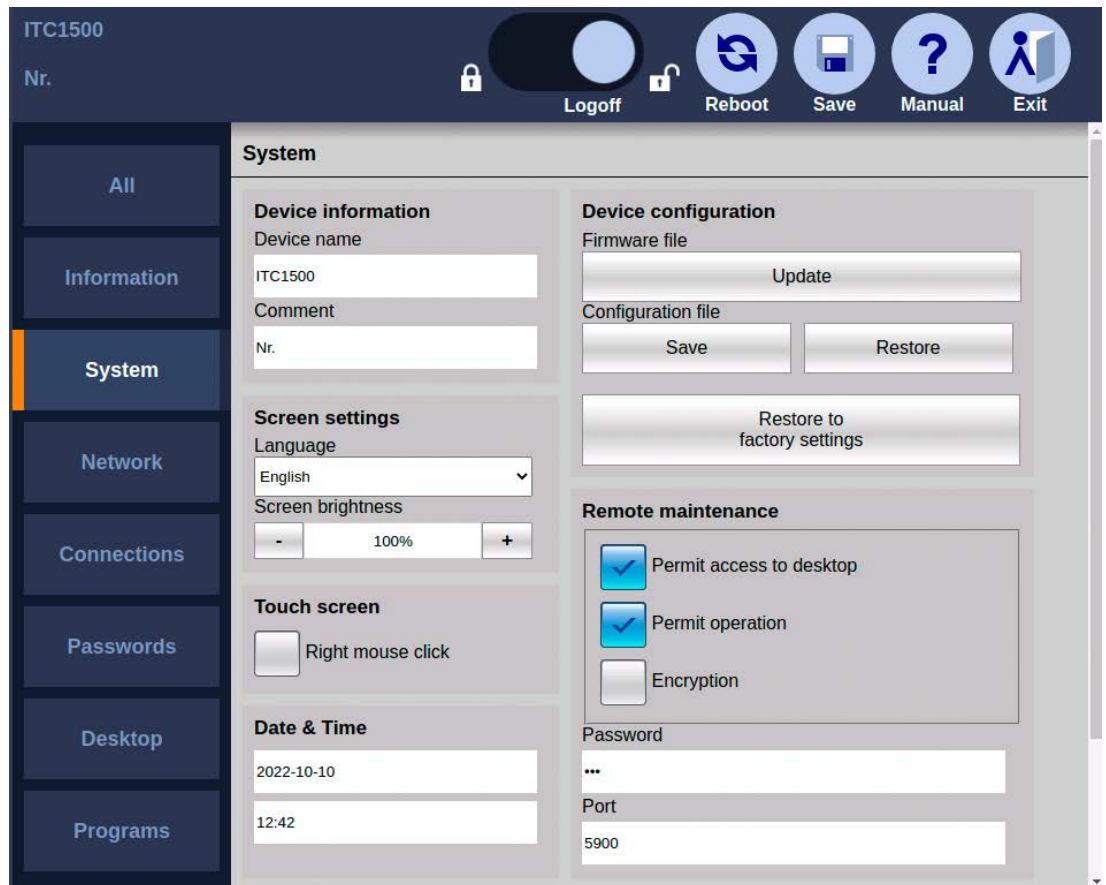
Note

If no administrator is logged on, the configuration settings only show the "Information" submenu.

5.5.5 "System" submenu

Introduction

The following figure shows the system settings in the Start menu "Configuration > System".



You can perform the following actions:

- Specify device name
- Setting up screen: Language, brightness, right mouse click
- Update firmware
- Save and retrieve the configuration file
- Restore to factory settings
- Setting for remote maintenance via VNC
Remote maintenance is performed via an encrypted connection. Remote maintenance requires a VNC client that supports the corresponding encryption, for example Tiger VNC.

Specifying device name

In the "Device information" area, specify a name for the Industrial Thin Client in "Device name". This name will allow the administrator to identify the device. The device name will be displayed at the following places:

- In the title bar of the configuration settings
- As the PROFINET station name in SIMATIC Manager

The device name is also the PROFINET station name and must meet the following conditions:

- One or more identifiers separated by a dot.
- Length of identifier: 1-25 characters
- Length of the device name: 1-255 characters, but only up to 26 characters are displayed on the device
- The identifiers contain lower case letters a-z and numbers 0-9.
- The identifiers cannot start or not end with "-".
- The first identifier does not have the form "port-xyz" or "port-xyz-abcde" where a, b, c, d, e, x, y, z = numbers 0 to 9.
- Identifiers do not start with "xn--" if RFC 3490 is applied.
- The device name may not end with "0".
- The device name does not have the n.n.n.n format, where n = 0 to 999.


Devices with more than one Ethernet interface do not need more than one device name.

Only up to 23 characters of the **comment** are displayed on the device (see above).

Setting up screen

Set the system language that includes the following texts under "Language":

- Start menu and settings
- On-screen keyboard and externally attached USB keyboard
- Messages

 CAUTION
<p>Damage to the machine or plant through operating error</p> <p>The configured system language, English for example, also determines the keyboard language of the externally connected USB keyboard. If you then connect an English keyboard, the keys do not have the same meaning as what is printed on them.</p> <p>This may result in operating errors at the machine and personal injury or damage to the machine or plant. To connect an English keyboard, set the system language to English under "Language" in the Start menu "Configuration > System".</p>

Under "Screen brightness", adjust the intensity of the backlighting.

If you select the "Right mouse click" option, each contact on the touch screen lasting more than 2 seconds will be interpreted as a right-click.

Example: If you touch the "Workstation" icon in Windows for more than 2 seconds, the operating system or application will respond as though you had right-clicked the icon: the context menu is displayed where you can select the "Properties" item, for example.

Update firmware

You update the device firmware either directly on the device via USB or with remote access from a PC, see section "Remote configuration (Page 108)".

NOTICE

Data loss during firmware update

All configuration settings are lost during a firmware update. The factory settings are restored after the update, which also resets passwords.

Back up the configuration file beforehand and reload it afterward (see below).

NOTICE

Damage to the device

If the power supply or the connection to the device containing the firmware is interrupted during the update process, the device may no longer be functional.

- Ensure that the power supply and the connection to the device are maintained during the entire updating process.
- Make sure that all applications running on the device are closed.
- Before updating the firmware, restart the device to prevent memory problems.

In the "Device configuration" area, use the "Update" button to select an update file "*.upd". The selected file will be transferred to the device. To determine whether the selected file is suitable for the device, the system checks it against the following criteria, for example:

- The selected file is an update file.
- The selected update file is more current than the version installed on the device.
- The selected update file is suitable for this device.

If all the criteria are met, the selected update file will be run on the device. The device and the Setup Wizard restart automatically.

Note

The progress of the update is displayed on the screen.

Back up and restore the configuration file

You back up the configuration file of the device either directly on the device via USB or with remote access from a PC, see section "Remote configuration (Page 108)".

The configuration file contains all device-specific configuration settings with the exception of the background image. You can back up the configuration file of a device and, for example, restore it to several devices:

- Use the "Save" button to back up the configuration file for the device to the connected USB drive. To do this, you select a folder in the file system and close the dialog with "OK". The configuration file is stored in the selected folder.
- Use the "Restore" button to restore the backed up configuration file via a connected USB drive, for example if the current configuration file has been inadvertently overwritten. To do this, you select a configuration file from a file dialog and close the dialog with "OK". The syntax within the configuration file is checked. If the syntax is free of errors, the configuration file is transferred to the device and the previous configuration file is overwritten. Otherwise an alarm is output.

Note

Saving the configuration file

Back up the current configuration file before and after each firmware update.

You are prompted to enter a password between 8 and 32 characters in length when saving.

Restoring the configuration file

Only configuration files created on the device or via remote configuration are supported for restoration. Configuration files of older V2.x versions are no longer supported.

When you restore, you are prompted to enter the password you assigned when backing up.

IP address conflicts

Do not restore configuration files with identical IP addresses on different devices. Reassign the IP addresses.

Restore to factory settings

Restoring factory settings has the following effects:

- The default configuration file overwrites the configuration file. All connection data for the network, remote access and web browser is reset. The language and screen brightness, the settings and position of the taskbar and on-screen keyboard, and the background image are reset.

NOTICE
Data loss restoring the factory settings
Back up the configuration file and then reload it (see above).

- The administrator password is deleted and must be reassigned at next restart.

Procedure

- Touch the "Restore to factory settings" button. The "Resetting to factory defaults" message is shown on the touch screen. The device reboots automatically if you confirm this message.

Alternative procedure

1. Switch off power to the device.
2. Press and hold the button "Factory settings" on the device with a sharp object and turn the device power back on. The "Default settings" button is next to the interface X1 P1 PROFINET (LAN).

The device restarts.

Press and hold the "Factory settings" button on the device with a pointed object during a reboot until first commissioning is completed and a message is briefly displayed.

Service device remotely via VNC

Allows remote access to the device. The device has a VNC server for this purpose. With VNC remote access, you can "Permit access to Desktop" or "Permit operation", in other words, enable operation of the plant or machine from the device. You also set the "port" and the "password" for remote access. Remote access must always be protected by a password, i.e. an entry in the "Password" field is required.

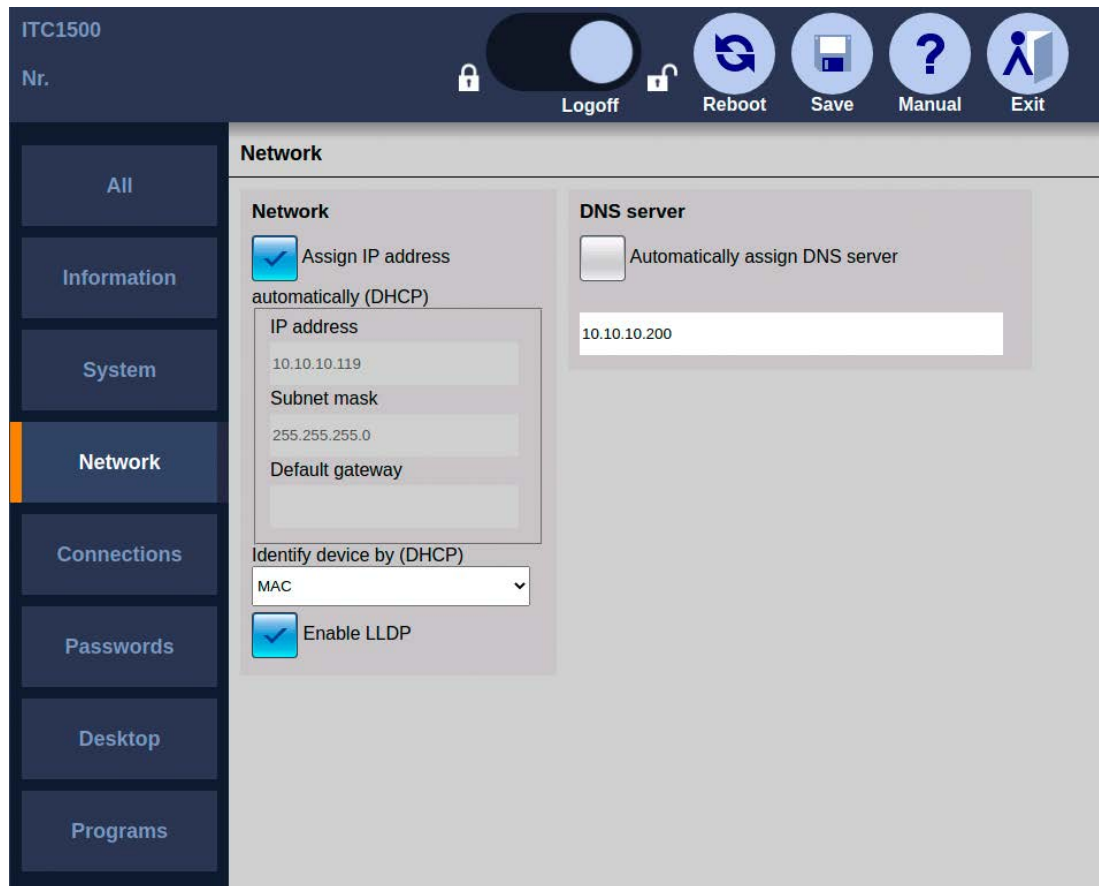
Activating remote configuration

You can use the "Remote configuration" option, "Activate (Web)" to specify whether or not it is allowed to configure the Industrial Thin Client via the Web browser of another device. The configuration settings of the Industrial Thin Client are accessed via an encrypted connection in HTML5 format, which means access must be made with a Web browser that supports HTML5 and encrypted connections (https).

5.5.6 "Network" submenu

Introduction

The following figure shows the network settings in the Start menu "Configuration > Network".



You can perform the following actions:

- Specify network parameters
- Assign network parameters dynamically
- Use DNS server
- Check valid settings

Specify network parameters

You assign the network parameters either statically or dynamically:

- If "Assign IP address automatically (DHCP)" is not selected, assign a valid static IP address, subnet mask, and default gateway.
- You can also use the "Assign IP address automatically (DHCP)" option to specify that the network parameters will be assigned dynamically by the DHCP server and are therefore not available for assignment (grayed out).

Note

IP address conflicts

Before an IP address is assigned, a check is made to determine whether a device with this IP address already exists in the network. If so, an error message is appears and the address is not assigned. Assign an individual IP address to each device.

The subnet mask specifies the maximum number of nodes, e.g., "255.255.255.0".

Note

Invalid subnet mask

If a subnet mask is invalid, an error message appears and the subnet mask is not assigned. Assign a valid subnet mask.

Activate a PROFINET service under "Enable LLDP" (Link Layer Discovery Protocol) that identifies the Industrial Thin Client in the network as such. If other network components also make their identity known, the management station, such as STEP7, can then detect the network topology automatically.

Assign network parameters dynamically

The following applies only if the "Assign IP address automatically (DHCP)" option is selected.

The device has two features that identify it uniquely. Under "Device identification (DHCP)", you specify the identification feature that the DHCP server uses to identify the device:

- If you select "Device name", the DHCP server identifies the device based on the name stored in the "Device name" field of the system settings, see section ""System" submenu (Page 85)". If configured correspondingly, the DHCP server searches for the device name in its configuration file and transfers the network settings stored there to the Industrial Thin Client.
- If you select the most common identification parameter "MAC address", the DHCP server identifies the device on the basis of its MAC address.

Use DNS server

You can manually enter the IP address of the DNS server under "DNS server". If you select the "Automatically assign DNS server" option, the manual IP address is overwritten by an IP address assigned by the DHCP server. This requires that the "Assign IP address automatically (DHCP)" option is also selected.

Note

No connection between client and server

If you edit the configuration settings from an external PC, take the following into account: The connection can be interrupted as soon as you enter a different IP address in "IP address" or select the "Assign IP address automatically (DHCP)" option.

If you edit the configuration settings locally on the device, the connection to the configuration settings will be maintained even if you change the IP address in the configuration settings.

If the "Assign IP address automatically (DHCP)" option is selected and no DHCP server is available, no IP address will be assigned to the device. Communication between the server and device is not possible.

- Start the configuration settings locally on the device, and assign an IP address to the device that is not already used in the network.

Alternatively, you can select the "Assign IP address automatically (DHCP)" option with "Device name".

Note

A maximum of 240 characters is permitted. For connections via RDP, the device name will be automatically truncated to the first 15 characters at logon.

Check valid settings

In the Start menu "Configuration> Information", the network settings that are currently valid are always shown, regardless of whether they were assigned statically or dynamically. Use this approach to check whether the change in the network settings was accepted or not.

See also

PROFINET basic functions (Page 99)

5.5.7 "Connections" submenu

Introduction

Users can connect from the Thin Client to different servers. Example:

- RDP Server 1: Access to office planning documents
- VNC Server 2: Access to Office spreadsheets
- Sm@rtServer 3: Access to WinCC messages at the plant
- WinCC OA-Server 4: Access to WinCC OA workstations
- Web-Server 5: Access to web-based content, for example, of an S7 controller (PROFINET) or Intranet/Internet using the integrated web browser.

Note

Web connection and web browser

You can configure a Web connection, for example, the server address, via the connection settings, see section "Connection settings (Page 95)". You configure the Web browser itself and its proxy settings in the application settings, see section ""Programs" submenu (Page 105)".

You can establish up to 5 such client-server connections at the same time. These connections are specified mainly by the following parameters:

- Connection type, e.g., "Sm@rtServer" or "RDP"
- IP address of the server
- Port of the server

The Industrial Thin Client then displays the server screen as a full screen.

This section shows how you configure client-server connections. The connection settings can be found in the configuration settings in the Start menu "Configuration > Connections".

Displaying client-server connections in the taskbar

The "Display connection (favorites)" option is enabled by default so that the client-server connection appears in the start bar (under "Favorites") and can be started from there. The favorites contain a maximum of 10 client-server connections.

It makes sense to disable the "Show connection (Favorites)" option, for example, when the associated server must be serviced at regular intervals.

Factory default settings

- "Obtain IP address automatically (DHCP)"

Note

Unauthorized access

To prevent unauthorized persons from logging on and gaining free access to the configuration settings and client-server connections, you should immediately assign a new administrator password after first commissioning or restoring of factory settings.

Note

Avoiding malfunctions

The factory default is that the IP address is assigned dynamically (DHCP). If you disable the "Obtain IP address automatically (DHCP)" option, there is no static IP address ("0.0.0.0"). Therefore, assign an individual IP address to each device.

Some client-server connections have already been created as examples. Set up client-server connections with valid IP addresses.

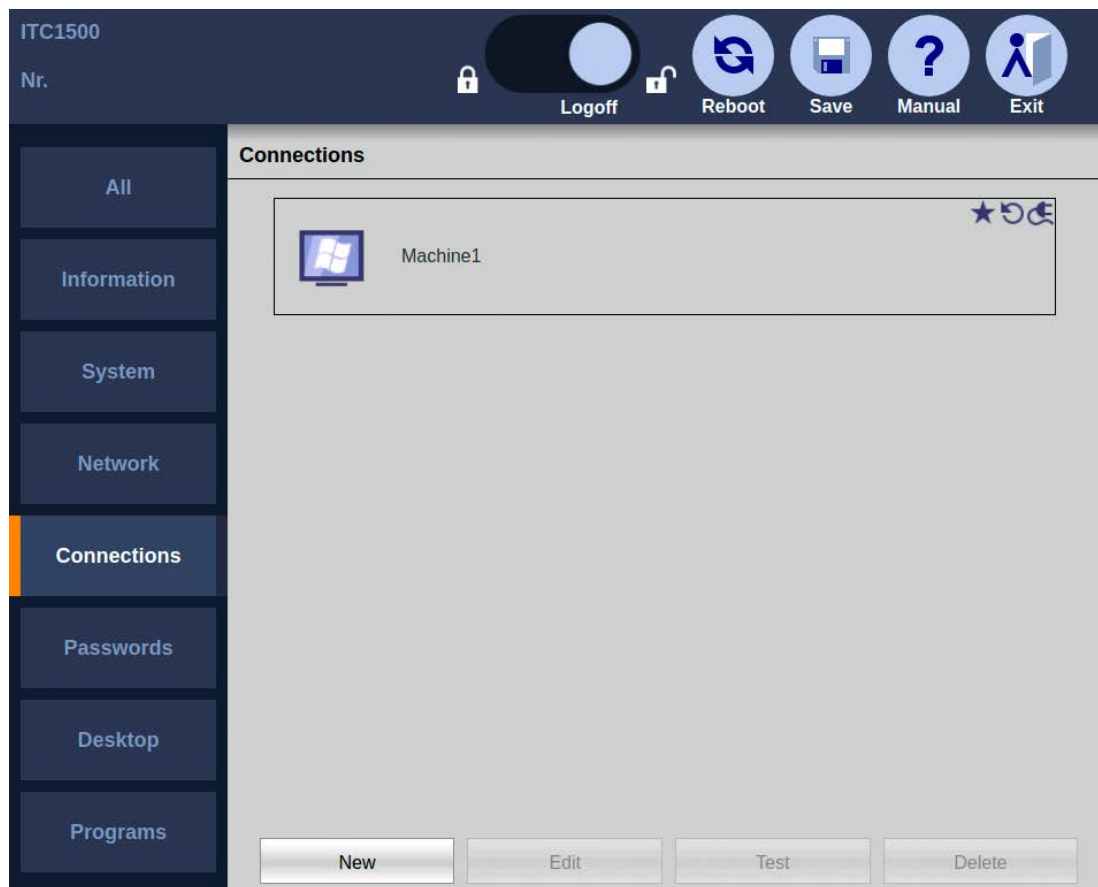
See also

PROFINET basic functions (Page 99)

5.5.7.1 Setting up client-server connections

Structure of the tab

The following figure shows the list of client-server connections in the Start menu "Configuration > Connections".



Below the list there are buttons for editing a selected client-server connection.

Buttons

The buttons have the following functions:

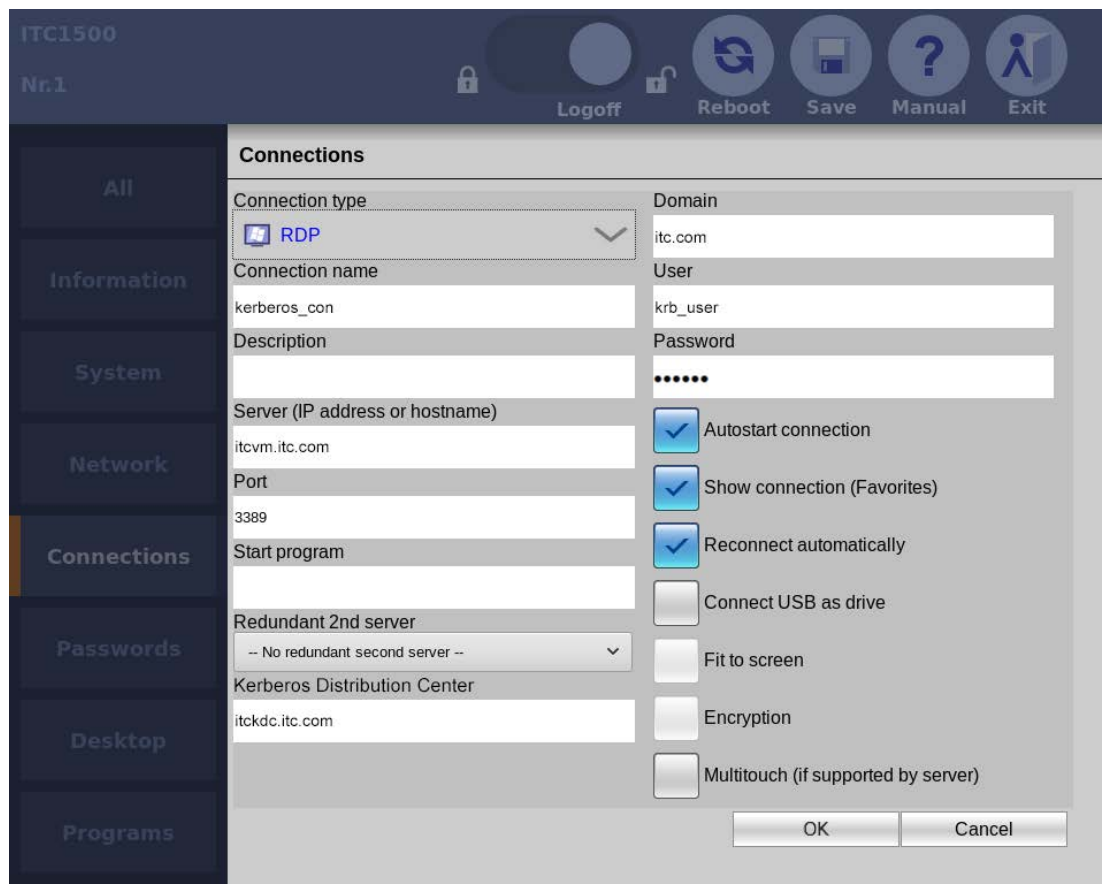
- "New": creates a new client-server connection.
- "Edit": opens the connection settings of the client-server connection.
Same dialog as "New" with the only difference that the "Connection type" can no longer be changed.
- "Testing": Checks if the server and port can be reached (ping).
- "Delete": deletes the client-server connection.

See also

Opening the configuration (Page 81)

5.5.7.2 Connection settings

By way of example, the following figure shows the connection settings for an RDP connection in the Start menu "Configuration > Connections".



You select a client-server connection, or create a new one. The following connection settings can be specified:

Note**Grayed-out fields**

Not all connection settings are available for each connection type (exception: RDP). Connection settings that are not required are grayed out.

- The "Connection type" specifies the type of client-server connection, e.g. RDP connection, VNC connection, etc.
- In "Connection name", you enter a name for the client-server connection, e.g. "Server screen 1". The client-server connection will then appear with this name in selection menus. If the operator selects "Server screen 1" in the taskbar, for example, the client-server connection configured with this name will be started.
- In "Description", you enter a text for the client-server connection. This description then appears in selection menus under "Connection name".
- Under "Server (IP address)", you specify an IP address or host name at which the server can be reached.
- In "URL" ("Web" connection type only), you specify an Internet address at which the web server can be reached.
- The default port is set under "Port". RDP: 3389, Sm@rtServer/VNC: 5900.
- In "Start program" (RDP only), you specify the software program that is automatically started on the server with this RDP connection. For this function, a "Server" type operating system is required on the server PC. The server must be configured accordingly.
- Under "Redundant 2nd server" (RDP only), select a second RDP connection that is already configured. If the first RDP connection configured here fails, the second RDP connection will be started (fallback). And vice versa: If the second RDP connection fails, the first RDP connection will be restarted.

To use two redundant RDP connections, the following options must be enabled for both connections:

- "Show connection (Favorites)"
- "Reconnect automatically"

If the "Redundant 2nd server" and "Reconnect automatically" options are enabled, three attempts, with a time interval of about 15 seconds, are made to restore the currently active connection before the start of the other connection.

- Under "Kerberos Distribution Center", enter the name of the Kerberos server for Kerberos authentication.

For a successful RDP connection with Kerberos authentication, fill in the following input fields:

- "Kerberos Distribution Center": Computer name of the Kerberos server.
- "Server": Computer name of the server that the client wants to use.
- "Domain": Name of the domain in which both servers are located.

The required data can be found in the basic information of the respective server in Windows.



You also require:

- A working DNS server.
- Working DNS resolvers on the participating machines in the Kerberos realm.

Enter the IP address of the DNS server in the network settings of the Industrial Thin Client under "DNS server", see section ""Network" submenu (Page 90)".

- You specify the logon information for logging the device onto the server under "Domain" (RDP, Citrix), "User" (RDP, Citrix, WinCC OA), and "Password".

Note

Password length

With the connection to a Sm@rtServer with WinCC Advanced (TIA Portal) V13 or higher, a password length of more than eight characters is supported after the "Encryption" checkbox is selected.

WinCC OA

In WinCC OA, the "User" and "Password" fields are used for HTTP download of Runtime. Logon in the WinCC OA logon screen is therefore not possible. A password is required to assign a user name.

- If you select "Autostart connection", this client-server connection is automatically established when the device is restarted or rebooted and after modified configuration settings are saved. "Automatic start connection" only works when the "Display connection (favorites)" flag is set for the connection.

Note

Limited number of client-server connections

A maximum of 5 client-server connections can be started at the same time. An error message appears when a 6th connection is activated.

- If you select "Show connection (favorites)", this client-server connection will appear in the taskbar under "Favorites". If the favorites contain 10 connections, you cannot add an additional connection, and this option is no longer available.

If you deselect the option, the client-server connection is not visible to the operator and can only be started by the administrator in the Start menu "Configuration > Connections" via the "Test" button.

- If "Reconnect automatically" is selected, the device continually attempts to restore a physically interrupted connection to the server. This procedure can be aborted by closing the connection via the taskbar.

Note

Only one user with RDP on Windows operating system

If a second client has established the same RDP connection to the server with the identical logon information, the client-server connection of the first client is interrupted. Even if "Reconnect automatically" is enabled, the device does not try to re-establish the connection to prevent a ping-pong effect between the clients.

Note

Re-establish RDP connection after a server restart

If "Reconnect automatically" is activated for an RDP connection and the server has to be restarted, proceed as follows:

1. Restart the server.
 2. Re-establish the RDP connection.
-

Note

Timeout of the function "Reconnect automatically" for an RDP connection

The function "Reconnect automatically" for an RDP connection attempts to re-establish the connection for a period of about 15 seconds. If this is not possible, the function "Reconnect automatically" is canceled.

- If you select the "Connect USB as drive" option (RDP only), you can access a USB memory device connected to the Industrial Thin Client on the touch screen. The USB data are transferred to the server and displayed there in Windows Explorer for the devices. For additional information, see section "Use USB memory devices (Page 123)".
-

Note

Security threat to the system

The USB may infect the server with viruses, Trojans, spam, etc.

Use a suitable virus scanner to check the data on the USB memory device, or deselect the "Connect USB as drive" option.

Non-supported operating systems

The "Connect USB as drive" function is currently not supported for the following operating systems of the connection partner:

- Windows Server 2012, 64-bit
-

- If "Automatic scaling" (only with connection types "Sm@rtServer" and "VNC") or "Full screen" (only with connection type "Web") is enabled, then the Industrial Thin Client scales the server screen to its own display size.

- When "Encryption" is enabled (Sm@rt connection only), the data is transferred encrypted between client and server. In this case, activate encryption on the server as well.
If the server does not support this function, an error message will be displayed. Depending on the height-to-width ratio, the server screen is displayed within a black bar.
- When "Multitouch" is enabled, you can use a server with a multitouch-capable operating system in multitouch mode.

Note**Server operating system with multitouch support required.**

When you enable the "Multitouch" setting for the connection to a server with a **non**-multitouch-capable operating system, it is **not** possible to operate the server via the Industrial Thin Client. Only enable the "Multitouch" setting for the connection to a server with a multitouch-capable operating system.

5.5.7.3 Setting up startup connection

Introduction

You can designate each client-server connection as an autostart connection. This means that this client-server connection will also be started every time the device starts. The autostart connections can be restarted even after the configuration settings have been changed.

Note**Limited number of client-server connections**

A maximum of 5 client-server connections can be started at the same time. If a 6th connection is activated, an error message appears

The order cannot be defined for startup. Therefore, which of the autostart connections will ultimately be displayed on the screen is undefined. However, you can generally switch between the client-server connections.

Procedure

Proceed as follows to identify a client-server connection as an autostart connection:

1. Choose "Configuration > Connections" in the Start menu.
2. Select a client-server connection.
3. Touch the "Edit" button to confirm.
4. Select the "Autostart connection" option.

5.5.7.4 PROFINET basic functions

Introduction

The PROFINET basic functions help to diagnose the device using standard mechanisms. The required diagnostics functions are available, for example, in STEP 7.

Functions

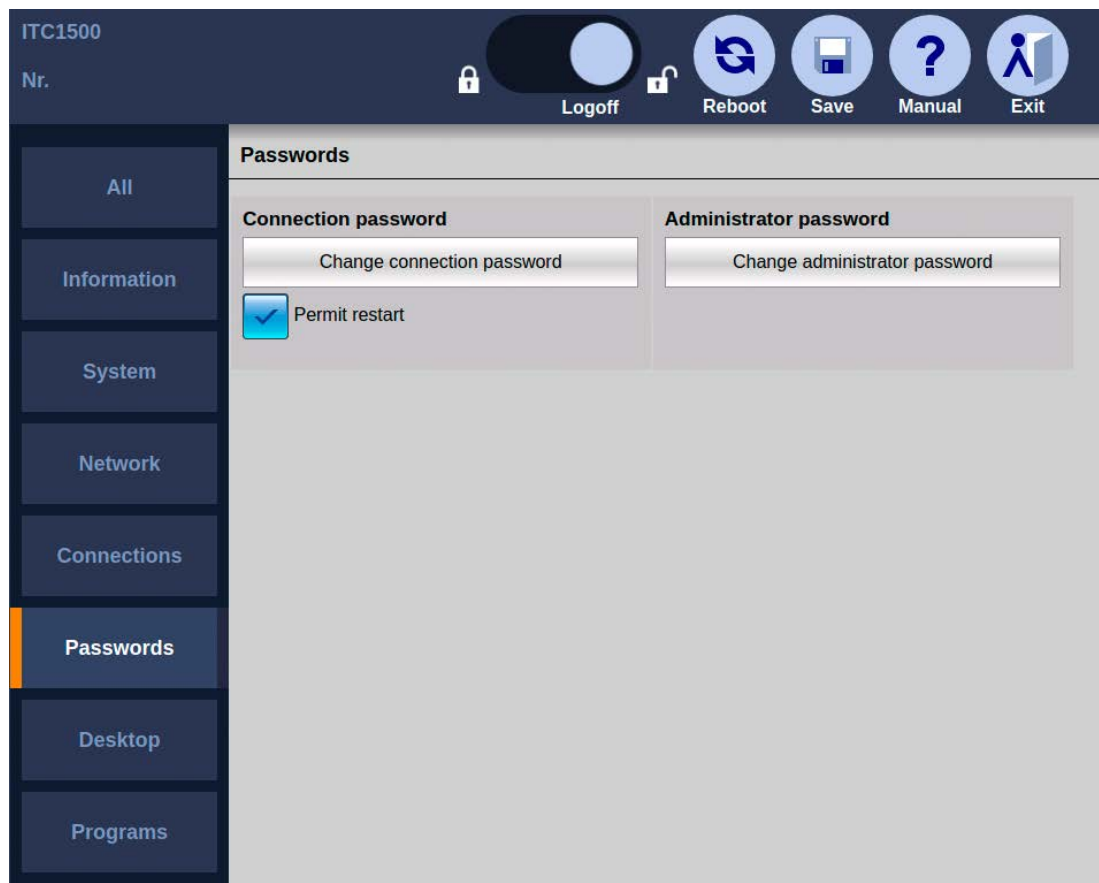
As of SIMATIC Manager V5.4, SP2, the PROFINET basic functions offer the following functions:

- As soon as the device is connected to PROFINET, it is displayed as an available device in the Lifestock in SIMATIC Manager. You can view the properties of the device, e.g., IP address.
Additional information from the "Target system" context menu is not supported by the device.
- You can assign a name and an IP address to the device in SIMATIC Manager under "Target system > Edit Ethernet device".
- As of TIA Portal V12: The device can be configured in the topology editor.

5.5.8 "Passwords" submenu

Introduction

The following figure shows the password settings in the Start menu "Configuration > Passwords".



Note**Forced termination of connection**

When you save the changed configuration settings, all open client-server connections are terminated and all open programs are closed without a confirmation prompt. The configured autostart connections are re-established.

Logging in as an administrator

A user that is not logged on can operate the Start menu, but only the device data from the configuration settings will be visible ("Configuration > Information").

To edit the configuration settings, follow these steps:

1. Move the blue circle (slider) "Logon" in the toolbar to the right.
2. Enter the administrator password.
3. Click the "Logon" button to close the dialog.

You are logged on as administrator.

Logging off as an administrator

To protect the configuration settings from unauthorized access from the outside, follow these steps:

1. Move the blue circle (slider) "Logon" in the toolbar to the left.

You are logged off as administrator.

Changing the administrator password

During first commissioning or restoring of factory settings, you are prompted to assign a new administrator password.

Note**Unauthorized access**

To prevent unauthorized persons from logging on and gaining free access to the configuration settings and client-server connections, you should immediately assign a new administrator password after first commissioning or restoring of factory settings.

The administrator password can be changed in the "Configuration > Passwords" Start menu.

1. Touch the "Change administrator password" button. The "Change password" dialog opens.
2. Enter the old password.
3. Assign a new password.

Note that the number of characters is limited to a minimum of 8 and a maximum of 32. It is possible to enter a blank administrator password, but not a space as the administrator password.

4. Repeat the new password.
5. If you select "Hide passwords", the password is no longer shown when you log on.

Forgetting the administrator password

If you forget your administrator password, you must restore the factory settings.

Note

Losing the current configuration settings

When restoring to factory settings, the current configuration file is overwritten.

After factory settings are restored, a saved configuration file can be transferred back to the device.

Once the configuration file is restored, the password contained therein will be valid after the device is restarted. Change the password if necessary, and make a note of it.

Closing connections with connection password

You can specify a password for terminating a client-server connection in the Start menu "Configuration > Passwords". If the operator wants to terminate a connection, this connection password must be entered. If the operator enters an incorrect password, the connection will not be terminated.

Note

Misuse

No connection password is assigned in the factory state. Without password protection it is possible for unauthorized persons to terminate client-server connections.

Following initial commissioning and after restoring the factory settings, you should immediately assign a connection password.

Closing Citrix and connection password

When an operator closes a Citrix application program via the user menu or closes the Windows window, Citrix is also terminated without entering the connection password.

The length of the connection password is restricted to a maximum of 30 characters.

Note

If a connection password has been specified, you can alternatively terminate a client-server connection by using the administrator password.

If you select "Allow restart", the menu entry "Restart" will be displayed underneath in the Start menu. The operator can use this entry to restart the device.

Changing the connection password during ongoing operation

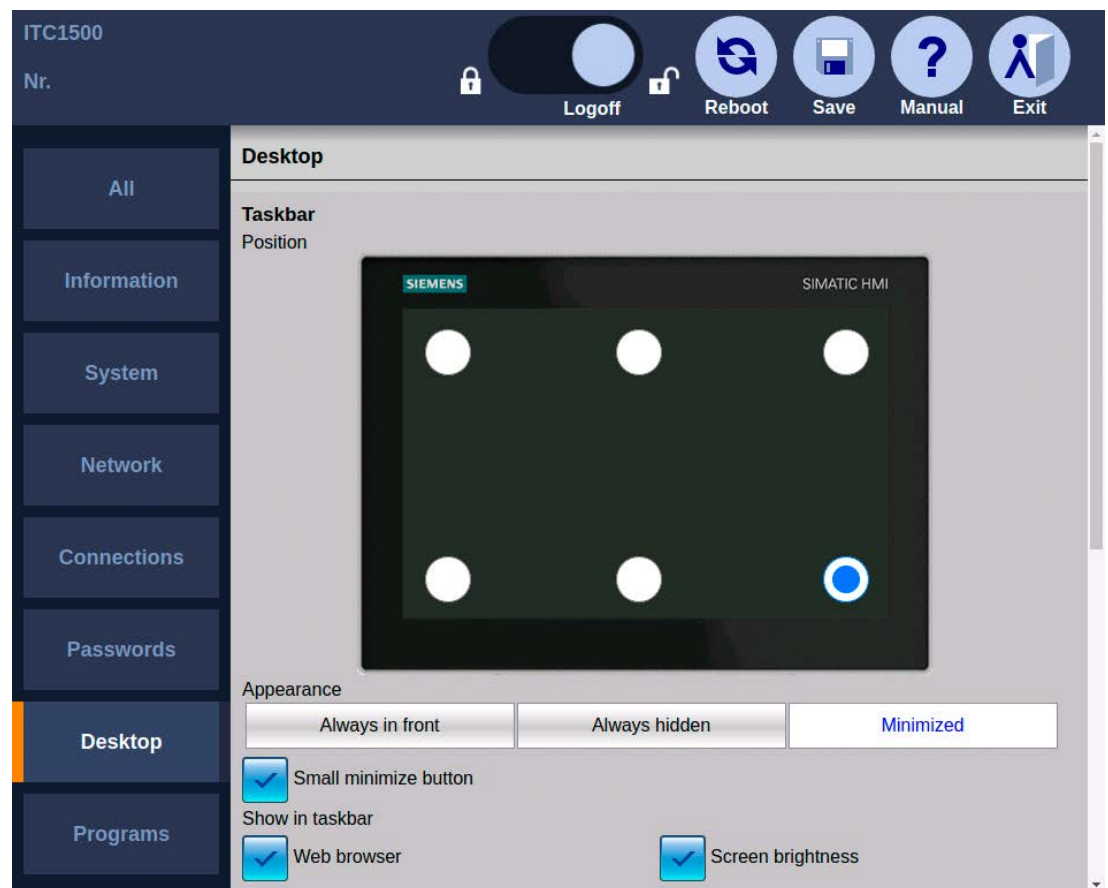
Changing the connection password works in the same way as "Changing the administrator password" (see above) , for example from an external PC, while the operator is working on the device. The change of the connection password becomes effective immediately. The operator can then only terminate the current client-server connection with the new connection password.

You can also change the connection password by entering the administrator password instead of the old connection password.

5.5.9 "Desktop" submenu

Introduction

The following figure shows the desktop settings in the Start menu "Configuration > Desktop".



You can make the following settings:

- Position of the taskbar
- Display of the taskbar
- Menu entries in the Start menu
- Size and position of the on-screen keyboard
- Desktop orientation
- Background image

Specifying the position of the taskbar

Touch one of the 6 buttons on the displayed touch screen. The configuration settings will be saved and the taskbar will then be moved to the corresponding position. The taskbar cannot be moved with drag&drop. The default position of the taskbar is "Bottom center".

Specifying the display of the taskbar

- "Always in front" (default setting)
The taskbar is displayed after the device is switched on. The buttons to minimize or maximize the taskbar are not displayed. The operator cannot change the taskbar.
- "Always hidden"
The taskbar is hidden. The operator cannot display the taskbar and, thus, cannot make any changes to the active client-server connections. Because the configuration settings cannot be opened without the taskbar, this setting can only be disabled again with external access, see section "Remote configuration (Page 108)".
- "Minimized"
The taskbar is minimized in the display. The operator can maximize or minimize the start bar using the appropriate buttons, which are always shown.

Specify size of "Minimize start bar" button

If the "Minimize small button" option is enabled, the height of the "Minimize" button is reduced by half.

Specifying menu entries in the Start menu

The settings show the menu entries of the Start menu in the taskbar.

- Web browser
- Screen brightness
- Clean screen
- USB devices

If you select a menu entry, it will be displayed. If you deselect a menu entry, it will be hidden and can no longer be called.

Specifying the size and position of the on-screen keyboard

In "Position", you can dock the on-screen keyboard at the top or bottom edge of the screen. In "Size", you select one of 5 predefined keyboard sizes.

Setting the desktop orientation

This setting is available from firmware version V3.2.2.0 onwards.

Under "Desktop orientation", select the entry "Landscape (0°)" or "Portrait (90°)" depending on the mounting position of your device.

Setting up a background image

Under "Background image", specify a graphic file to be displayed as the background image. Use the "Browse" button to select a graphic file on the connected USB drive.

Note

Required properties of background images

- Format: PNG, JPG, JPEG
- File size: max. 5 MB
- Resolution: Maximum 1920 x 1080 for ITC2200
- Colors: Maximum 16777216

Display of the background image

- The background image is always stretched to fit the screen resolution, even when this distorts it and grossly enlarges it.
- Therefore, the background image should have exactly the same width x height as the screen resolution, for example 1280 x 800, or at least the same proportions, for example 640 x 400.

Restoring the factory settings

The background image is restored.

See also

Structure and functions of the taskbar (Page 117)

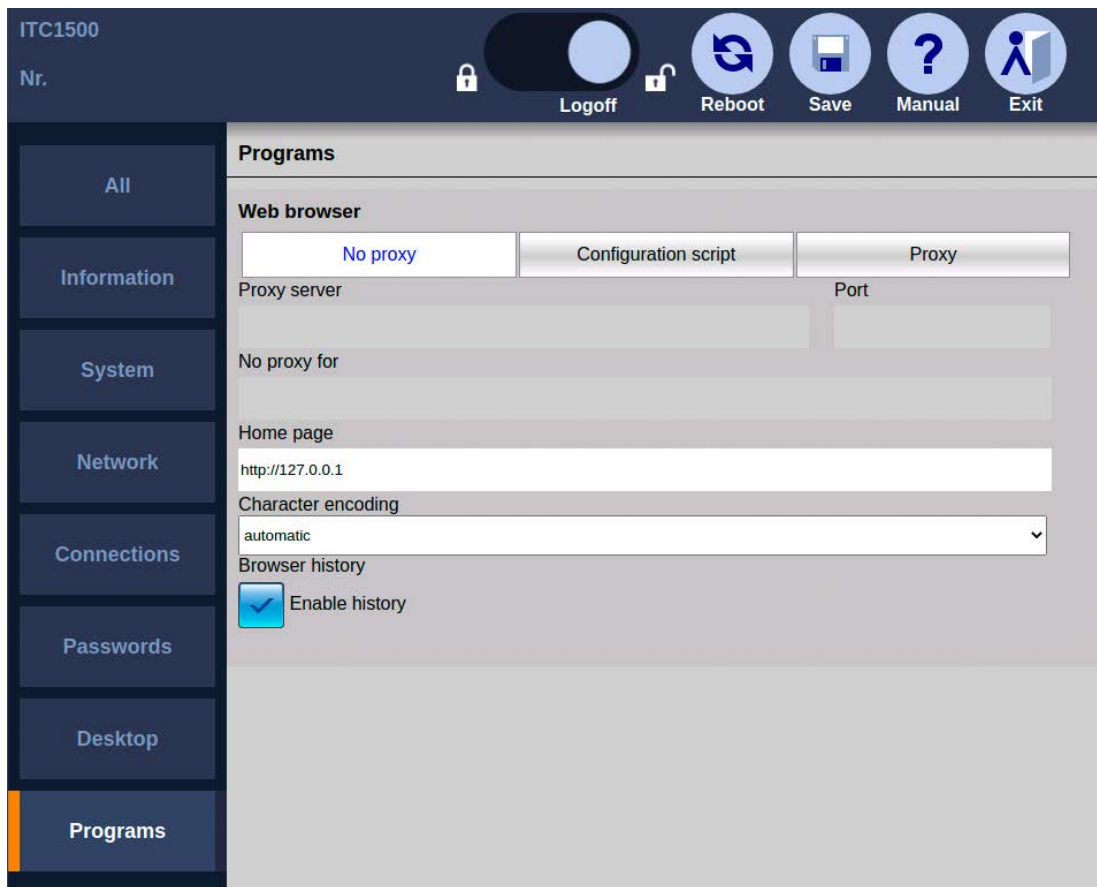
Starting a connection (Page 119)

5.5.10 "Programs" submenu

Introduction

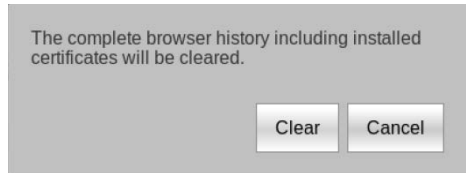
Additional, configurable application programs (software applications) can run on the Industrial Thin Client. The web browser is currently the only application.

The following figure shows the web browser settings in the Start menu "Configuration > Applications".



- If "Proxy" is selected: Enter the address of a central connection node in "Proxy" if your network accesses the Internet from this connection node, e.g., in order to filter web contents or make them available in the cache. In case of doubt contact your system administrator.
- If "Configuration script" is selected: In "Configuration script", specify the address of a script that picks out the appropriate proxy server for each web address. The configuration script contains a JavaScript function with proxy specifications, e.g., for the case that a server does not answer. The configuration script is provided by your network administrator.
- For addresses that you enter in "No proxy for", there is no proxy server request, and a direct connection to the Internet or an intranet will be established instead. Use a comma to separate multiple addresses (see "Proxy bypass").
- If "No proxy" is selected, there is no proxy server request, and a direct connection to the Internet or an intranet will be established instead.
- Under "Port", specify the internal port at which the proxy server can be reached: The default is 8080.
- In "Home page", specify an Internet address that will be called automatically when the web browser starts.

- With "Character encoding", you specify the character set that is used by the web browser if a web page does not provide any information about the character set to be used. The character set "UTF-8" is set by default. You can have the appropriate character set determined "automatically". If characters are represented incorrectly, you can also change to "ISO-8859-1".
- When the "Browser history" has been enabled, the web browser saves data such as websites visited, certificates and cookies. If this function is subsequently disabled, the following dialog is displayed:



The saved data is deleted again with the "Clear" button.

The "Enable history" function is disabled in the delivery state of the Industrial Thin Client.

Proxy bypass

You can make the following entries in the "No proxy for" field:

Object for which no proxy is to be used	Content of the input field "No proxy for"	Example	Comments
Domain	Suffix of the domain	".siemens.com, siemens.com"	Both suffix variants must be entered in order to exclude an entire domain.
Host name (without domain)	Host name only	"MyWinPC"	Excludes "MyWinPC."
Host name (with domain)	Host name and domain	"MyWinPC.siemens.com"	Excludes "MyWinPC."
IP address	IP address	"192.168.1.0"	Excludes the device with the IP address "192.168.1.0".
Network	IP address range	"192.168.1.0/24"	Closes all devices with an IP address ranging from "192.168.1.0" to "192.168.1.24".

Placeholder characters are not permitted, e.g. "*" or "192.168.*.*".

No entries are set as default.

The "localhost" and "127.0.0.1" objects are always excluded. No proxy is used for these objects.

Adjusting the display in the web browser

You can enlarge or reduce the display in the web browser:

- Use the key combination <CTRL><+> to enlarge the display.
- Use the key combination <CTRL><-> to reduce the display.

Note

Depending on the keyboard you are using, it may be necessary to press the Shift key to access the "+" and "-" keys. In this case, use <Control><Shift><+> to enlarge the display and <Control><Shift><-> to reduce it.

5.5.11 Remote configuration

Introduction

Remote configuration enables remote configuration and remote update of a SIMATIC Industrial Thin Client from a PC that is connected to the Industrial Thin Client via a network.

Functions

You can perform the following actions from a central PC for an Industrial Thin Client:

- Edit configuration settings
- Back up and restore the configuration
- Identifying a device
- Change IP addresses
- Update firmware
- Restart devices

Remote access

During remote access, you perform the corresponding configuration functions directly on the Industrial Thin Client, i.e. the user interface corresponds to the user interface on the Industrial Thin Client itself.

The remote access to the Industrial Thin Client is made via an encrypted connection in HTML5 format, which means access must be made with a Web browser that supports HTML5 and encrypted connections (https).

Requirement

- The Industrial Thin Client and the PC for remote access are located in the same subnet.
- The "Remote configuration" option is activated in the system settings of the Industrial Thin Client (Page 85).
- A Web browser that supports HTML5 and encrypted connections is installed on the PC.

Procedure

1. Open the Web browser.
2. Enter the IP address or device name of the Industrial Thin Client that you want to configure in the address line of the Web browser.

If a message appears regarding the certificate for the encrypted connection, confirm the message.

5.6 Configuring the server

5.6.1 RDP

5.6.1.1 RDP overview

Introduction

RDP, "Remote Desktop Protocol", is a protocol that the Industrial Thin Client uses to access a server with a Windows operating system, e.g. Windows Server. The Industrial Thin Client can access all programs running on the server, if the programs have been enabled for remote access. The following statements also apply accordingly to Windows 7.

Licensing the Windows Server

You do not require any licenses on your device to access the server. You require the following server licenses:

- One Windows Server license per server
- One Windows Server Client Access License (CAL) per user
- Additionally, one Terminal Server Client Access License (TS User CAL) per user that can be used independent of the device

Note

TS Device CAL cannot be used

In the case of the "TS Device CAL" license, which can be used on a certain device independently of the user, the device is logged onto the license server using the last four digits of the MAC address. When you replace the device, the license is blocked by the license server and released again after about 3 months.

User CAL and Device CAL licenses are supported for all approved Windows operating systems.

Detailed information on licenses and applicable conditions of use are available on the Internet under "Windows Server 2003 Terminal Server Licensing (<http://www.microsoft.com/windowsserver2003/techinfo/overview/termservlic.mspx>)".

Licensing Windows 7

You do not require any licenses on your device under Windows 7 to access the server. Only one license on the PC for your operating system, e.g. Windows 7.

You do not require any additional licenses on the server for Remote Desktop.

See also

System requirements (Page 75)

5.6.1.2 Administration on the server

Administration Windows Server

The administration on the server depends on the individual IT infrastructure. Establish the settings for the server configuration under the following menu commands under "Start > Programs > Administrative Tools:"

- Terminal services configuration
- Terminal services administration
- Terminal services licensing

You will find more information on the Internet in the "MSDN Knowledge Base" of the "Microsoft support (<http://support.microsoft.com>)".

You can specify on the server that certain users of the Industrial Thin Client can only access specified programs on the server.

When the device is configured, you assign a password for the connection to the server. If the device establishes a connection to the server, a password will be requested by default irrespective of this. Under "Start > Programs > Administrative Tools > Terminal Service Configuration" you can specify that the password is not requested again.

Administration Windows 7

In order for the Industrial Thin Client to access the server, you must enable remote access on the server. You can enable remote access under "Start > Settings > Control Panel > System > Remote" with the option "Allow users to establish a remote desktop connection." Use the "Select remote users" button to open a dialog in which you select the users that are authorized to access the server.

In addition, you enable the server ports that have been set for remote access in the firewall.

Keyboard language

An English and German on-screen keyboard is available on the device. Depending on the delivery version of the device, additional languages may be available, for example, Hungarian or Spanish. Set the keyboard language on the device so that it matches the keyboard language on the server. If the keyboard languages on the device and the server are different, the keys pressed on the device keyboard will not be interpreted correctly on the server.

Configuring double-click

If it is too difficult to double-click the touch screen with your finger or the touch stylus, then make the setting in Windows Explorer on the server that files and folders should open with a single click under "Tools > Folder options > General > Click items as follows".

You have the option to establish a greater range in which two clicks can be detected as a double-click under [HKEY_CURRENT_USER\Control Panel\Mouse] in the Windows registry of the server. Under "DoubleClickHeight" and "DoubleClickWidth" enter 10 pixels, for example.

Windows 10

If you connect via RDP to a Windows 10 PC on which another user is already logged on, the user must confirm your access to the PC. Alternatively, you can wait 30 seconds to get access automatically. However, the connection is then often interrupted with the misleading error message "Session was disconnected because of unknown error".

5.6.2 Citrix

5.6.2.1 Citrix overview

Introduction

The Citrix Receiver software provides business applications centrally for any terminal devices at all business locations as on-demand service. This may take place in form of hosted applications that are executed on a server in the company data processing center. Rollouts of new applications, updates and patches are thus available immediately to all users.

Citrix server licensing

To access the Citrix server, you do not require any licenses on your device. Depending on your specific requirements, you need a Citrix XenApp or XenDesktop server.

See also

System requirements (Page 75)

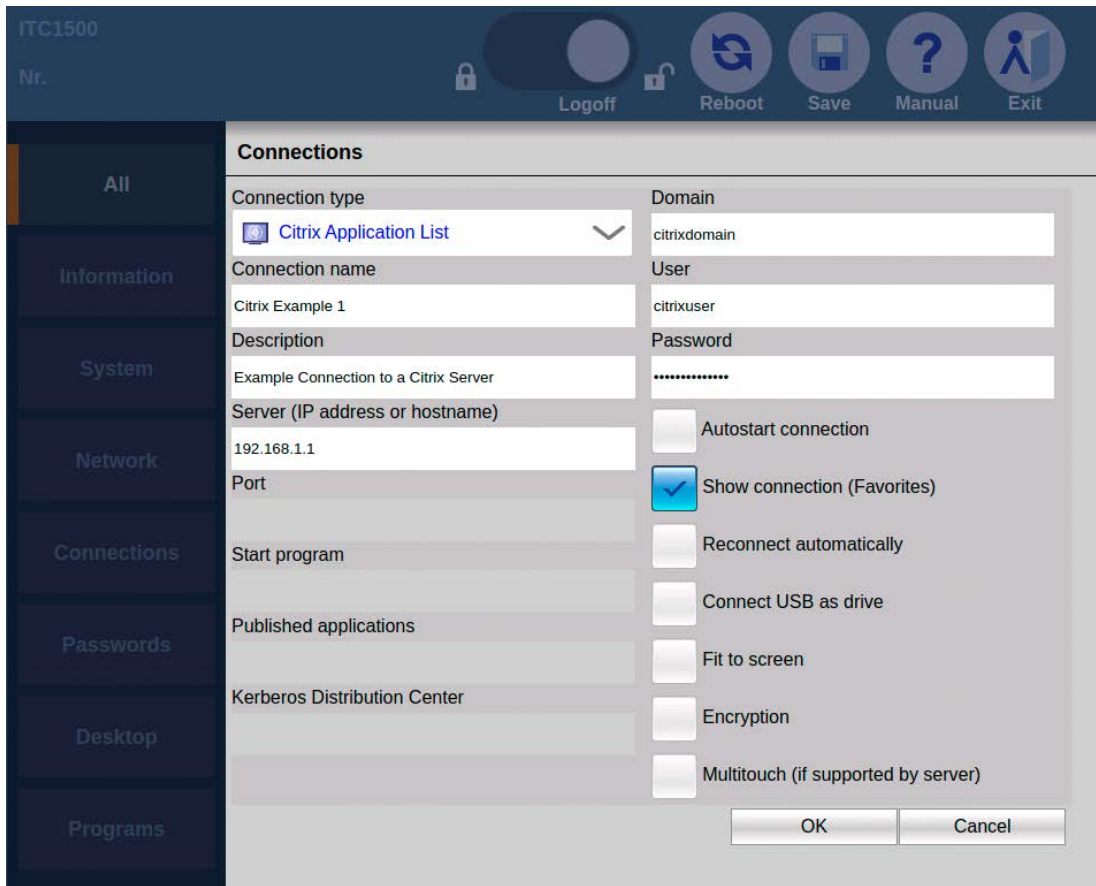
5.6.2.2 Connecting to a Citrix application or a desktop

To access a Citrix application or a desktop, you have the following two options:

- Connection type "Citrix Application List"
- Connection type "Citrix Single Application"

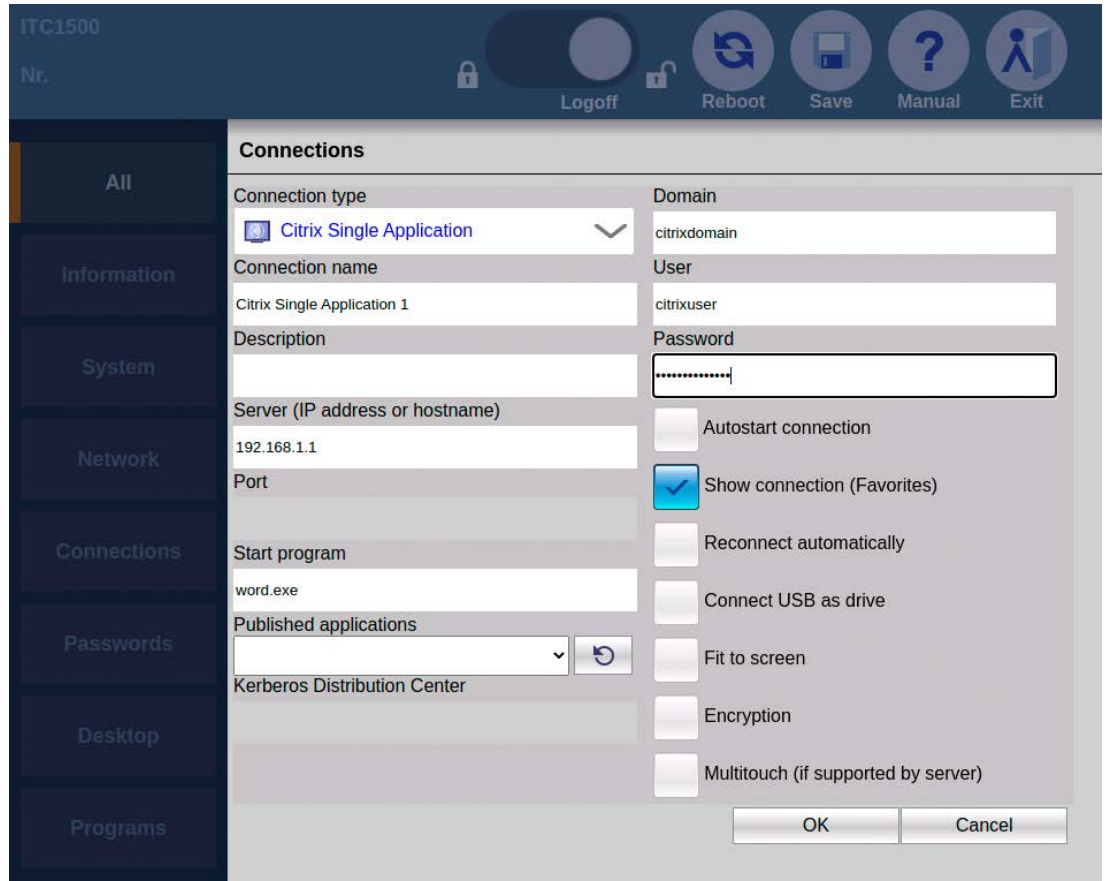
Connection type "Citrix Application List"

You specify all parameters of the Citrix connection with the exception of the application that is to be opened. When the connection is started, the user can select which application is opened.



Connection type "Citrix Single Application"

You specify all parameters of the Citrix connection including the application that is to be opened when the connection is started.



In order for applications to be shown in the start bar, they have to be configured as favorites on the server.

Depending on the server configuration, you can also access these applications or desktops via the Web browser.

5.6.2.3 Restrictions

The following restrictions apply to the Citrix client of the HMI device:

- Automatic scaling is not supported.
- Access to USB storage media is not supported.
- Read/write access to the local file system is not supported.

- Only one connection can be active at any given time. A message is displayed if you try to open a Citrix connection while a Citrix connection is already in place. The user is informed that the existing connection must be closed before the new connection can be established.
- The following functions are not available during the configuration of Citrix connections:
 - "Autostart connection"
 - "Reconnect automatically"
- The Citrix client supports the following certificates:

Certificate	Issuer
Class4PCA_G2_v2.pem	VeriSign Trust Network
Class3PCA_G2_v2.pem	VeriSign Trust Network
BTCTRoot.pem	Baltimore Cyber Trust Root
GTECTGlobalRoot.pem	GTE Cyber Trust Global Root
Pcs3ss_v4.pem	Class 3 Public Primary Certification Authority
GeoTrust_Global_CA.pem	GeoTrust

5.6.3 VNC

Introduction

Use VNC for remote control of another computer via a network. VNC is the abbreviation for "Virtual Network Computing" and shows the desktop of another computer. In contrast to RDP, all clients display the same server screen.

Requirement

The operating system you use does not play a role because the software is available for all current platforms. The connection via the network uses the TCP/IP protocol and should be configured with a password for security reasons.

Layout

VNC works according to the client-server model. The program consists of the server module VNC server and the client component VNC Viewer. The server program runs on the computer whose screen outputs you want to monitor, whereas the clients receive the screen outputs and in turn send keyboard and mouse inputs to the server.

See also

System requirements (Page 75)

5.6.4 Sm@rtServer

Introduction

With the SIMATIC WinCC Sm@rtServer option, HMI devices communicate with each other via PROFINET. Sm@rtServer thus enables client/server configurations for distributed operator stations in a system.

A description of the Sm@rtServer configuration can be found in the online help of WinCC or in the "WinCC Professional Options" manual.

Requirement

A server HMI device on which the Sm@rtServer has been started is required for client/server operation via Sm@rtServer.

Operating principle

If the Sm@rtServer has been started on a server HMI device, the Industrial Thin Client can access the server HMI device via the "Sm@rtServer" connection type. Depending on the configuration of the Sm@rtServer on the server HMI device, the Industrial Thin Client can monitor or operate the project on the server HMI device.

Licensing

You do not require any licenses in order to access an HMI device. The SIMATIC WinCC Sm@rtServer option is license-free as of WinCC V14 (TIA Portal). There can only be a project compiled with the Sm@rtServer option on the server HMI device you are accessing with the Industrial Thin Client.

See also

System requirements (Page 75)

5.6.5 WinCC OA

Introduction

SIMATIC WinCC OA (Open Architecture) is a SCADA system for visualizing and operating processes, production work-flows, machines and plants in all industries. As of WinCC OA V3.16, ITC V3 devices are supported.

You can find the description of WinCC OA configuration in the online help of WinCC OA under "Special Functions > Industrial Thin Client". You can find additional information on the Internet at SIMATIC WinCC Open Architecture (<https://new.siemens.com/global/en/products/automation/industry-software/automation-software/scada/simatic-wincc-oa/wincc-oa-basic-software.html>).

Requirement

A SIMATIC WinCC OA server that supports Industrial Thin Clients is a requirement for operating a SIMATIC WinCC OA connection.

Operating principle

The Industrial Thin Client operates similarly to a SIMATIC WinCC OA WebClient.

The WinCC OA server provides the client components to the Industrial Thin Client.

Licensing

You do not require any licenses on the Industrial Thin Client in order to access WinCC OA. The license is covered by the user interface license on the WinCC OA server. More on this in the online help of WinCC OA.

See also

System requirements (Page 75)

5.7 Operating ITC

5.7.1 Notes on Sm@rtServer access

Monitoring mode

If you access a device on which only monitoring mode has been configured for Sm@rtServer access, you can only monitor the device; you cannot intervene for control purposes.

Operating right for Sm@rtServer

When you access a device, it is possible that this device is being used at the time. In this case, the Industrial Thin Client does not have operating rights.

If you touch the touch screen, a message is displayed stating that no operator input is possible. How you request or force operating rights depends on the configuration on the device you are accessing with the Industrial Thin Client.

5.7.2 Operating the taskbar

5.7.2.1 Structure and functions of the taskbar

If the taskbar is configured accordingly in the desktop settings, the taskbar will be displayed after the device is switched on. See also section ""Desktop" submenu (Page 103)".



The operator cannot change the position of the taskbar on the touch screen, but the administrator can do so in the desktop settings.

Functions

The following functions can be called from the taskbar.

Start menu

- Web browser: opens the integrated Web browser, which displays the device information as the homepage by default, see also section ""Information" submenu (Page 84)". The web browser supports HTML, XML, CSS, JavaScript and Java so that you can establish any type of connection to the Intranet/Internet.
- Screen brightness: adjusts the screen brightness of the background lighting. Two buttons "+" and "-" are displayed on the right for this purpose.
- Clean screen: You use this function to disable the touch screen for input for a period of 15 seconds, for example, if the screen is being cleaned, see section "Cleaning the device (Page 163)".
- USB devices: see section "Use USB memory devices (Page 123)".
- Restart: reboots the device.
When the "Restart" menu command is hidden, select "Permit restart", see section ""Passwords" submenu (Page 100)".
- Configuration: central configuration settings of the device.



Connection list, shows the client-server connection that is currently displayed

If you touch the  icon, a list of started client-server connections is displayed.

Use the "Favorites" icon to start a client-server connection. The icons have the following meaning:

- Green check mark: Client-server connection is running.
- Red X: Client-server is interrupted, see section "Interrupting and restoring a connection (Page 80)".

Note

Maximum number of connections

A maximum of 5 client-server connections can be started at the same time.

When an attempt is made to start a sixth connection, an error message appears and a selection of started connections is displayed from which a connection can be closed.

You close a connection using the "X" on the right.



Go to the preceding started client-server connection



Go to the next started client-server connection



Favorites

List of client-server connections selected for the taskbar. If you select a client-server connection from the list, the corresponding connection will be established.



On-screen keyboard

Displays the on-screen keyboard. Use the on-screen keyboard to enter alphanumeric values, special characters and function key commands. The on-screen keyboard is automatically displayed if you edit a field. If you touch the icon again, the on-screen keyboard is hidden.

Showing a minimized taskbar

If the "Minimized" option is selected in the "Taskbar" area in desktop settings "Configuration > Desktop", the taskbar is only displayed again when you touch the button with the "Maximize" arrow on the edge of the screen.

Taskbar is hidden

If the "Always hidden" option is selected in the "Taskbar" area in the desktop settings, the taskbar will always be hidden and cannot be displayed.

Note

If the administrator saves changes of configuration settings, the display and position of the taskbar may be changed.

5.7.2.2 Starting a connection

Overview

You can connect to a server From the Industrial Thin Client according to the configured connection settings. The following connection types are supported:

- RDP
- Sm@rtServer/VNC
- WinCC OA
- Web: In addition to the web connection settings, web settings are required for the browser that displays the web connection.

Note

Limited number of browser instances

A maximum of 5 browser instances can be started at the same time. When you open a sixth browser instance, an error message appears.

You can open the Web browser separately to establish a connection of any kind to the Internet regardless of the maximum number of browser instances and client-server connections.


Note

Limited number of client-server connections

A maximum of 5 client-server connections can be started at the same time. If a 6th connection is activated, an error message appears

Procedure for client-server connection


Proceed as follows to establish a client-server connection:

1. Touch the  "Favorites" icon in the taskbar.
2. Select a client-server connection.

The configured connection to the server or system network will be started.

Procedure for web browser

Proceed as follows to establish a connection to the Internet or an intranet:

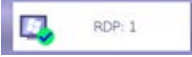



1. Select the "Web browser" menu command in the taskbar of the  Start menu. The web browser will open.

The IP address of the device is stored as the home page. The home page displays important device data and network settings.

2. Specify a valid Internet address in the address line of the web browser.

5.7.2.3 Changing from one connection to another

You can easily change between the started client-server connections.

-  Connection list:
Select a different client-server connection using the  icon.
-  Go to the preceding started client-server connection.
-  Go to the next started client-server connection.

5.7.2.4 Terminating a connection

Introduction

You can terminate a client-server connection as follows:

- Via the menu command "Close".
- For additional options, refer to the section "Special features".

Procedure

Proceed as follows to terminate an active client-server connection:

1. Touch the "Connection list" icon in the taskbar. A list of all started client-server connections opens.
2. Choose the "Close" menu command next to the connection.
3. If required, enter the connection password, see section ""Passwords" submenu (Page 100)".

Note**Misuse**

RDP can be set on the server so that the user stored in the connection settings remains logged in even after an RDP connection has been terminated.

Make sure that only authorized persons have access to the device or log off (see Special features).

Administrator password

You can also enter the administrator password instead of the connection password.

Special features

RDP

Note

Terminate the RDP connection alternatively by using "Start" > "Disconnect". The "RDP session has been terminated by peer!" dialog box will be displayed on the device; acknowledge it with "OK". The connection password is not requested.

You log off from the RDP server with "Start" > "Logoff".

5.7.3 Operating the on-screen keyboard

On-screen keyboard

If you have not connected an external keyboard to the device, use the on-screen keyboard for inputs, e.g., in the configuration settings.

The on-screen keyboard is opened automatically provided:

- You activate an entry field in the configuration dialogs of the Thin Client.
- You use the Sm@rtServer connection type and activate an entry field on the server.
- As of firmware version V3.2.3.0: You use the Web Server connection type and activate an entry field on the server, such as a runtime input/output field on a Unified device.

Note

On-screen keyboard

An English and German on-screen keyboard is available on the device. Depending on the delivery version of the device, additional languages may be available, for example, Hungarian or Spanish. The keyboard language can be changed in the menu "Configuration > System".

The following applies to the user interface:

- With German keyboard layout: German user interface
 - With English keyboard layout: English user interface
 - For all other keyboard layouts: English user interface
-

Operating the on-screen keyboard

You operate the on-screen keyboard by directly touching the keys of the keyboard on the touch screen. The functions of the keys on the on-screen keyboard are basically the same as those on an external keyboard.



You position the screen keyboard as follows:

- In the desktop settings, you can position the on-screen keyboard at the top ① or bottom ④ edge of the screen.
- Depending on the position at the screen edge, the buttons ② and ③ on the right change:
- The button ② closes the on-screen keyboard.
- The button ③ moves the on-screen keyboard to the other edge of the screen (top or bottom).

Windows key

The "Win" key corresponds to the Windows key on a mechanical keyboard. You use this key to open the Windows Start menu.

Number pad

The on-screen keyboard has a separate number pad that you open with the "NUM" key. If you have connected an external keyboard, you cannot make any entries via the number pad of the external keyboard.

Latch function

If you keep the buttons <Ctrl>, <Alt>, <AltGr> and <WIN> pressed for some time, they are permanently enabled as though they are being pressed even after you have released them.

5.7.4 Use USB memory devices

Introduction

Use the USB port on the back of the device to access connected USB storage devices.

RDP

In the case of an RDP connection you have read and write access to one or several USB storage devices.

With active RDP connection the USB storage devices are exported to the RDP server. A folder with the name "media on <Client hostname>" is created in Windows Explorer, in which a separate subfolder is displayed for each USB storage device. If you change the host name in the configuration settings of the device, the name of the folder is adapted automatically on the RDP server.

Requirement

- The "Connect USB device as drive" option is selected in the connection settings in "Settings > Configuration > Connections".

Procedure

1. Insert the USB memory device in the USB port on the device.
2. Choose "Settings > USB devices" in the taskbar. A media explorer opens.
3. Touch the "View details" icon in the menu bar.
4. Open the desired folder in the tree menu on the left. Its content is displayed in the window on the right.
5. You can cut, copy, paste, and delete files via the menu bar.
6. You use the navigation buttons to navigate back, up, and to the root directory of the USB drive.

Removing a USB memory device

To remove the USB memory device, proceed as follows:

1. Make sure the device is no longer being accessed.
2. Close the accessing application.
3. Close the media explorer via the connection list in the taskbar.
4. Wait for 5 to 10 seconds.
5. Remove the USB memory device from the USB port of the device.

See also

Connecting a USB device (Page 63)

5.7.5 Using a USB reader

The following USB readers will be supported for connection type "RDP" from firmware version V3.2.2.0 onwards.

Note

Connect the USB readers to the Industrial Thin Client before establishing the RDP connection. Otherwise, the RDP connection must be closed and re-established.

- SIMATIC MV32x optical handheld reader
- SIMATIC RF10xxR readers, which can be used, for example, in connection with the software PM-LOGON or SIMATIC Logon

With Windows systems, proceed as follows to use the RFID readers:

1. Log on to the device as an administrator.
2. Open "gpedit.msc" via the Windows icon, the Windows search or via the command prompt.
3. Select "Computer configuration > Administrative Templates > Windows Components > Remote Desktop Services > Remote Desktop Session Host > Device and Resource Redirection"
4. Double-click the "Do not allow supported Plug and Play device redirection" setting.
5. Select "Disabled".
6. Save the setting with "OK".

See also

Connecting a USB device (Page 63)

SINUMERIK operating mode

6.1 SINUMERIK commissioning

Requirement

The device is connected according to the description in these operating instructions to the 24V DC power supply and equipotential bonding is connected.

Procedure

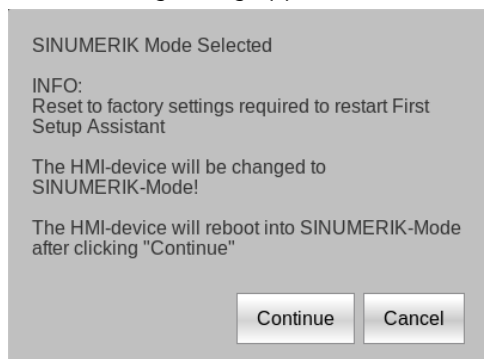
1. Switch on power to the Industrial Thin Client.

The first commissioning dialog to select the operating mode is displayed.



2. Select the operating mode "SINUMERIK".

The following dialog appears:



3. Confirm the dialog with the "Continue" button.

The device restarts.

After successful first commissioning, the SINUMERIK server screen is displayed.

Result

The first commissioning has been completed and the operating mode SINUMERIK has been defined. In the future, the device starts in SINUMERIK operating mode and the first commissioning dialogs are no longer displayed.

The further description of the SINUMERIK operating mode can be found in the following section.

To recommission, you must reset the device to factory settings or update the firmware.

Reset to factory settings in SINUMERIK operating mode

1. Switch off power to the device.
2. Press and hold the button "Factory settings" on the device with a sharp object and turn the device power back on. The device restarts.
The "Factory settings" button is next to the interface X1 P1 PROFINET (LAN).
3. Press and hold the "Factory settings" button on the device with a pointed object during a reboot until first commissioning is completed and a message is briefly displayed.
4. Select the "SINUMERIK" operating mode in the first commissioning dialog.

Note

Re-commissioning in the SINUMERIK operating mode

When you reset the Industrial Thin Client using the "Factory settings" button, some SINUMERIK settings, such as the rotation of the display, are retained.

Updating firmware in SINUMERIK operating mode

1. Switch off power to the device.
2. Press and hold the button "Factory settings" on the device with a sharp object and turn the device power back on. The device restarts.
The "Factory settings" button is next to the interface X1 P1 PROFINET (LAN).
3. Press and hold the "Factory settings" button on the device with a pointed object during a reboot until first commissioning is completed and a message is briefly displayed.
4. Select ITC operating mode and follow the instructions of the Setup wizard.
5. Connect a USB drive using an update file ".upd" with the device USB interface. The firmware version of the update file must be more recent than the firmware version on the device.
6. Choose "Settings > System" in the taskbar.
7. In the "Device configuration" area, use the "Update" button to select the update file "*.upd".
The device restarts and the first commissioning dialog is displayed.
8. Select the operating mode "SINUMERIK" in the first commissioning dialog.

6.2 Networking

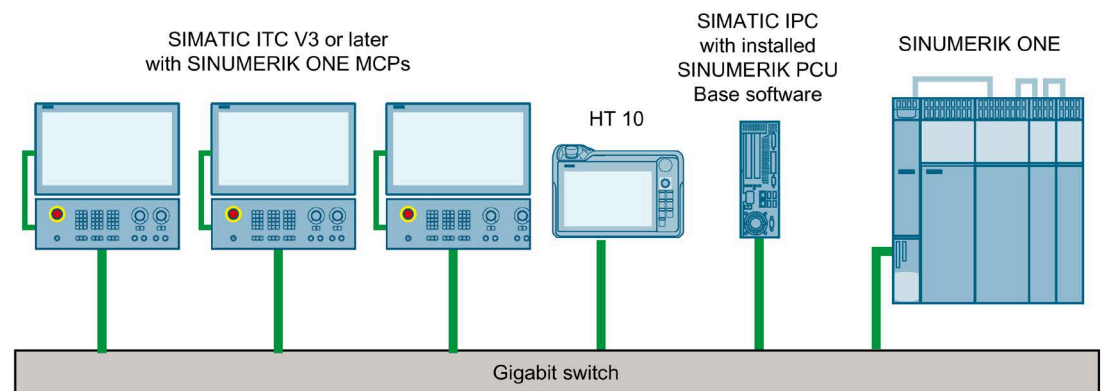
6.2.1 System settings

6.2.1.1 Industrial Thin Client (ITC)

The Industrial Thin Client ITC V3 (ITC) for the distributed configuration permits spatial separation of the ITC and a SIMATIC IPC for SINUMERIK (IPC) or a SINUMERIK ONE NCU. On the SINUMERIK ONE, the ITC is used to visualize the user interface of the IPC or NCU.

It is possible to connect one ITC to several IPCs/NCUs. All ITCs and IPCs/NCUs that are connected to each other via a Gigabit switch form the "system network". The user interface of an IPC/NCU is copied to several ITCs. This means that all ITCs display the same screen. Operator actions can only be performed on one ITC at a time. This ITC then has user authorization. The IPC can also have its own ITC connected directly to it.

The following diagram shows a **configuration example** for a distributed topology:



The Sinumerik ONE MCP is operated in "Ethernet mode" in the example diagram and has an integrated Gigabit switch with 2 ports.

The mobile SINUMERIK HT 10 handheld terminal works on the thin client principle and combines the functions of an operator panel with a machine control panel.

The configuration and cabling of the whole system based on a permissible configuration is described in Section "Network configurations (Page 138)".

Supplementary conditions

The following supplementary conditions apply for the operation of a ITC:

- In the system network, the number of **active** thin clients is limited:
 - Maximum 1 HT 10: PPU 1740
 - Maximum 2 thin clients: NCU 1740
 - Maximum 4 thin clients: NCU 1750 or NCU 1760
 - Maximum 4 thin clients: SIMATIC IPC with SINUMERIK PCU Base software
 Any number of ITCs can be operated in the system network.
- If a PC keyboard is connected to the ITC, it is not possible to ensure that all special keys, e.g., multi-media keys, will be transferred to the software of the NCU / IPC.

6.2 Networking

- Distributed memory media can be connected to the ITC via USB.
- The ITCs must be networked on the basis of the Gigabit standard, e.g. Gigabit switch or Ethernet cable according to CAT 6 or higher.

6.2.1.2 Settings for SINUMERIK solution line

Fundamentals

The system network for SINUMERIK solution line is structured as a star topology with a central Ethernet switch, to which all Ethernet-based components of the system are connected.

For an NCU, the connection is via the X120 Ethernet socket, for an IPC, it is via the "Ethernet 2" or "X2" or "X2 P1" connection. There is no default for all other components with two Ethernet connections. These components have an internal 2-port switch and may be used to connect an additional operator component. Thus, in this case, there can be deviations from the strict star topology.

System network

In the system network, the IP address range 192.168.214.xxx with subnet mask 255.255.255.0 is pre-selected. Here there is precisely one DHCP server with DNS that can run on one NCU or one IPC. The server ensures assignment of IP addresses to the Ethernet components in the system network (DHCP clients) from a specified address band.

The following rules apply for assignment of IP addresses in the system network:

- For all NCUs and IPCs, the commissioning engineer assigns static IP addresses in the associated address bands, as well as appropriate computer names (host names). All other operator components are automatically assigned an IP address by the DHCP server. Its name is generated automatically (for MCP, MPP, HT 10), or is entered during commissioning (ITC).
- If there are multiple NCUs and/or IPCs in the system network, make sure that only one DHCP server has "master priority".

That is the NCU or IPC in the system network that must be available on every system startup so that it can perform the function of central DHCP and DNS server.

All other NCUs/IPC with lower priority wait for a preset time while the system starts up until the master is available.

Connection to a company network

Each NCU can be connected via X130, and each IPC can be connected via "Ethernet 1" to a company network. The company network is used to exchange operating software with servers or to execute part-programs directly from servers in the company network. The company network and system network must not be interconnected via Ethernet switches.

Service interface X127

The service interface X127 of the NCU is used for direct connection of a PG/PC for service or commissioning purposes. Here, access with the TIA Portal to the PLC and for NCU 17x0 is possible.

With connection of a PG/PC to X127 it is absolutely necessary that the PG is operated as a DHCP client.

6.2.1.3 System boot with system network

System behavior at boot

The system boot behavior is based on the following principle:

- For the configuration of an NCU 17x0 with an IPC, the default for a network configuration is as follows:
the NCU is assigned the preset IP address 192.168.214.1 on X120; the IPC is assigned the preset IP address 192.168.214.241 on Eth2.
- For the configuration of more than one NCU 17x0 without IPC, with or without IPCs, a distinction must be made between two cases:
 - For the entire system, a DHCP master must be defined in the NCU/IPC intended for it.
 - All address conflicts and DHCP conflicts are resolved automatically when booting and the system is ready for operation. In this configuration, there is **no** guarantee that all NCUs and IPCs will always receive the same IP address at each system boot.
 - If there is a requirement that all NCUs and possibly also the IPC should be assigned a certain IP address on each startup, the user must define this individually for each affected NCU/IPC:

In the NCU, this is done with the file basesys.ini in directory /card/user/system/etc
On the IPC, this is done in the network settings (Control Panel) for Eth2.
- Assigning names:
 - Assign meaningful names (host names) for all NCUs in the relevant basesys.ini file otherwise the names will be generated automatically.
 - An IPC always has a computer name, which you can change if required in the Control Panel.
- The IP addresses of ITC, MCP/MPP, EKS, HT2, and HT10 are identified in the PLC via their DIP switch settings. On HT2 and HT10, identification is achieved using the switch setting in the connection box or in the connection module.

Using DNS name service

Availability of the DNS (Domain Name System) name service offers the following advantages for system network administration:

- The name service enables easier configuration with names instead of IP addresses for management of operating units: All components in the system network can be addressed via a symbolic computer name. This name can to some extent be freely assigned, to some extent it is derived automatically from a DIP switch setting (MCP, MPP, EKS, HT 10, HT 2).
- A computer node in the system network (NCU, IPC, ITC, MCP, HT 10, etc.) can be addressed solely through assignment of the IP address, either via a freely selectable name or via an internally generated name in the system network, and thus becomes independent from its network address in the system network. Thus a change in the network address does not necessarily necessitate a series of additional setting changes.
- In addition, the name service is used by the system for address resolution for MCP/MPP, direct keys, and EKS when changing the user authorization.

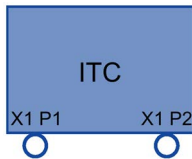
6.2.1.4 Factory default settings

Meaning of the symbols:

- Eth 1 as a DHCP client
- Eth 2 as a DHCP server
- Eth 2 with a static IP address

Preconfiguration of the ITC

The ITC is configured as a DHCP client and primarily accepts IP addresses from SINUMERIK components, from the DHCP server of such components that are inherent to SINUMERIK, for example, an NCU at X120 or an IPC on the system network or from a default DHCP server. The behavior of the ITC cannot be changed here.

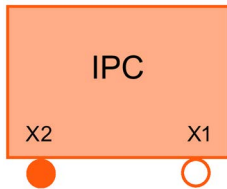


An ITC is a SINUMERIK DHCP client.
The ITC has two network connections.

An ITC executes a boot via the network. The boot server is the computer node from which the ITC also obtains its IP address.

Preconfiguration of the IPC

An IPC has at least two Ethernet interfaces. When the "Sinumerik PCU Base Software" is installed, these Ethernet interfaces are preset as follows for SINUMERIK:



X1 is preset as a default DHCP client for connection to a company network.
X2 is preset as a SINUMERIK DHCP server for connection to a system network. The static IP address 192.168.214.241 is preset on X2.

Preconfiguration of the NCU

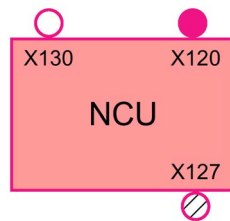
On the X120, the NCU is preconfigured for the SINUMERIK DHCP protocol. The NCU is pre-selected here as a SINUMERIK DHCP server. On X120, the NCU occupies the static IP address 192.168.214.1 with the subnet mask 255.255.255.0 in its capacity as a DHCP server. The DHCP server of the NCU assigns IP addresses from the range 192.168.214.10 – 192.168.214.239 to the DHCP clients.

It is also possible to make the NCU a DHCP client. The configured IP address in basesys.ini is a "requested" IP address, which is rejected in the case of an address conflict and also denied and replaced by a dynamic IP from the address range.

In large system networks, it is mandatory to set an NCU/IPC as the DHCP master. If an additional 2-3 hosts are used (NCU/IPC), the user sets the DHCP priority to "ON_HIGH". For the other hosts, the user sets DHCP priority to "ON_CLIENT_SYNC" or "ON_CLIENT_NO_SYNC".

The configuration is set either through the operator interface of the Sinumerik Operate or in the "basesys.ini" on the device in question.

Restricting the available address band that is managed by the DHCP server of the NCU frees up IP addresses 192.168.214.2 to 192.168.214.9 as well as addresses 192.168.214.241 to 192.168.214.254 for network nodes with static IP addresses.



The NCU has three Ethernet connections:

- X120 to connect to the system network with an active DHCP server (Eth 0)
- X130 to connect to the company network as a default DHCP client (Eth 1)
- X127 as a service connection with an active DHCP server (Ibn 0)

On X130, the NCU is set as a default DHCP client for the address reference from a company network. The IP address received here is specified by the DHCP server from the company network.

On X127, an NCU is a standard DHCP server in contrast to the SINUMERIK DHCP server. On X127, the NCU has the static IP address 192.168.215.1 with the subnet mask 255.255.255.224 as Service input. The IP addresses 192.168.215.2 – 192.168.215.23 are dynamically assigned to the DHCP clients. The range 192.168.215.24 - 192.168.215.30 is reserved, and can be used by stations on the network with a static IP address, e.g. by a modem.

Reserved IP address ranges for NCU and IPC

The following defaults apply on delivery:

- Connection to the system network with subnet mask 255.255.255.0:

IP address	Network station	Remark
192.168.214.1	NCU on X120	Default
192.168.214.2 – 9	For additional NCUs with a static IP address on the system network	Not assigned
192.168.214.10 – 239	For additional ITCs, later for additional IPCs, NCUs, MCPs, and MPPs	DHCP clients
192.168.214.240	Reserved for EKS (Electronic Key System)	Default
192.168.214.241	Static IP address of the IPC on Eth 2	Default
192.168.214.242 – 249	For further IPCs with a static IP address	Not assigned
192.168.214.250 – 254	For PGs with a static IP address (Service connection)	Not assigned

- Service connection with subnet mask 255.255.255.224:







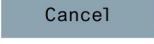
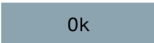


IP address	Network station	Remark
192.168.215.1	NCU on X127	Default
192.168.215.2 – 23	For service purposes with PG, PC	DHCP clients
192.168.215.24 – 30	Static IP address, e.g. for a modem	Not assigned

6.2.2 ITC commissioning

6.2.2.1 Key assignment

Key assignment

Functions of the keys and softkeys in the "Operator panel service system":

Softkey	Key on OP	External keyboard	Description
	HSK1	<F1>	Moves the cursor down a row
	HSK2	<F2>	Moves the cursor up a row
	HSK3	<F3>	Moves the cursor down a page
	HSK4	<F4>	Moves the cursor up a page
	HSK5	<F5>	Inserts text or digits
	HSK6	<F6>	Inserts text or digits
	VSK7	←	Cancel / Return
	VSK8	→	OK / Confirm
---		Pos1	Moves the cursor to the top row
---		End	Moves the cursor to the bottom row

Exceptions to the above are mainly the result of input fields. Where these are present, the left/right cursor keys move the input cursor rather than performing an OK/cancel function. The Return key takes you to the next field (like the "down" key) rather than closing the entire dialog with OK. There are also Backspace (deletes character to the left) and Delete (deletes character to the right) keys for editing text and numbers. The F5, F6, Backspace, Delete, and Select keys (between the cursor keys) can be used to switch between Yes/No fields.

Note

Special function for Touch Panels without additional keys

Letters and numbers in input fields can be edited with HSK5/HSK6, which switch one character forward or backward. With a touch screen, you can activate all the softkeys and even select rows in a menu simply by touching them.

A virtual keyboard automatically appears for operator panels without keys.

6.2.2.2 Settings in the "TCU.ini" file

Directories

The tcu.ini file is created in the following directories:

NCU:

```
../siemens/system/etc/tcu.ini
../user/system/etc/tcu.ini
../oem/system/etc/tcu.ini
```

IPC (Windows 7 and Windows 10):

```
C:\ProgramData\Siemens\MotionControl\siemens\System\etc\tcu.ini
C:\ProgramData\Siemens\MotionControl\user\System\etc\tcu.ini
C:\ProgramData\Siemens\MotionControl\oem\System\etc\tcu.ini
```

Note

The following entries are evaluated by SINUMERIK Operate:

- VNCServer/VetoMode
 - VNCServer/AlarmBoxTimeOut
 - VNCServer/FocusTimeout
 - VNCServer/AdaptResolution
 - VNCServer/MaxActiveTCUs
 - VNCViewer/ExternalViewerSecurityPolicy
-

Restrictions

Restrictions for such external operator control units are:

- Neither MCP and direct keys nor an EKS system can be assigned. This also means that these devices cannot be activated to be an operator control unit in the system.
- Direct keys cannot be triggered, i.e. the softkeys to the direct keys can be triggered in the operating software. However, the keys do not appear in the direct key image to the PLC.
- There is no config.ini configuration file as for an ITC, i.e. a configuration as for an ITC is not possible for this type of operator control unit (power-up behavior, displacement, t:m:n); however, the displacement mechanism onto the external operator control units is effective.
- An external operator control unit is never signaled as active operator station in the PLC.

Configuring the external operator control units in the tcu.ini file in section:

```
[externalTcu]
# EXTERNAL TCU IP-ADDRESSES
# List of accepted TCUs in IP-V4-format (index 1 to maximal 16)
ExternalTcuIP_1=
```

You can also set the desired screen resolution in the tcu.ini file:

```
[VNCServer]
Resolution = ...
```

6.2.2.3 Displacement mechanism for ITCs

In order to be able to operate a machine with more than the maximum number of operator panels, the displacement mechanism ensures that **only the permitted number of ITCs is active** in a shadowing group. The remaining ITCs are switched to passive mode, which means they are no longer a load on resources. As a result, the number of ITCs that can be connected to one HMI application is practically no longer limited. All that is limited is the number of ITCs that can be active at any one time.

Supplementary conditions

The following supplementary conditions apply when operating ITCs:

- 2 active ITCs in parallel on NCU 710.3 PN
- 4 active ITCs in parallel on NCU 720.3 PN, NCU 730.3 PN
- 4 active ITCs in parallel on IPC

Displacement rules

You configure the displacement mechanism in SINUMERIK Operate in the "Setup" operating area > menu forward key > "OPs" softkey for the respective operator panel.

An ITC can be in the following states:

- **The ITC is active and has user authorization:** This is recognizable by the fact that the ITC displays the screen of the operating software and the screen is bright.
- **The ITC is active,** is in monitoring mode and has no user authorization: This can be recognized by the fact that the ITC shows the screen of the operating software, however darker than that displayed on the ITC with user authorization.
- **The ITC is passive:** The ITC shows the selection menu of the possible connections instead of a screen of the operating software, and the softkey for selection of the last active connection of the ITC is shown in color.

When powering up, of ITC always attempts to establish the first connection. The ITCs from a shadowing group establish their specified connection one after the other as long as the maximum number of permissible active operator units is not exceeded.

If an ITC encounters the situation that this number is already reached in its power up, it attempts to obtain a connection via the displacement mechanism. If it can displace a formerly active operator unit, it takes on the active status itself; otherwise it transitions to passive status immediately after booting.

6.2.2.4 Disable switchover between ITC via PLC

Overview

The ITC switchover disable offers the option of dynamically disabling switchover from one ITC to the next via the PLC when the system is running. For the duration of the disable, a user authorization request to change user authorization between ITCs will be ignored by the system and rejected.

The rejected user authorization request causes a message to be output in the dialog line of the HMI, in the form of a feedback message for the requester. The message disappears after five seconds.

HMI ↔ PLC data interface

The "switchover disable" function is always active and does not have to be switched on explicitly. The function is controlled by a data bit in the PLC. The HMI transfers the active OP to the PLC, thus forming the basis of the control function in the PLC.

The control bits and control information for this function are stored in the m:n data interface of the PLC. In terms of m:n, this function can be operated separately for the currently overridden HMIs in both m:n online interfaces (DB19.DBW120 ff for HMI1 and DB19.DBW130 ff for HMI2). If a system is not running an m:n, only the first m:n online interface is used for this function.

Switchover disable is controlled by a TCU_SHIFT_LOCK bit, managed by the user, on each HMI in the PLC. The bit address for the first HMI is DB19.DBB126.6 and DB19.DBB136.6 for the second HMI.

The PLC m:n online interface is expanded so that byte DB19.DBB118 is also assigned to the first interface and byte DB19.DBB119 to the second. These bytes acquire the index of the active ITC/OP for the relevant HMI. The byte is called TCU_INDEX. Byte TCU_INDEX is written to by the relevant HMI, with the TCU index configured for the active ITC.

The TCU_SHIFT_LOCK bit is monitored by the appropriate HMI. A value = 1 triggers the switchover disable. Switchover is enabled if the value returns to 0. The TCU_SHIFT_LOCK bit can be set, for example, to the PLC by the user pressing a key or it can be managed by the PLC user program according to its own logic. The TCU_SHIFT_LOCK bit is managed in the PLC exclusively by the user; the HMI only accesses this bit in read-only mode.

The HMI writes the configured index of the ITC or IPC whose IFP currently has user authorization in the shadow group to field TCU_INDEX. If no OP is active, a value of 0 is entered in TCU_INDEX.

If no TCU index is configured for the active ITC/IFP, the value 255 = undefined is transferred as the TCU index. This means that the values 0 and 255 may not be configured as the TCU index.

Configuration

The TCU index is configured on the IPC in the same way as a machine control panel address (MCP address). The TCU index is set in the "OP Properties" dialog of the "System Network Center" program.

Operating principle

If the TCU_SHIFT_LOCK bit is set for switchover disable, a user authorization request is not carried out independently of the mode set on the HMI for allocation of user authorizations (veto mode), i.e., a change of user authorization is rejected.

This message is displayed to the operator on all Panels for approximately 5 seconds:

"No switchover: Switchover disable set in current PLC."

While this message is displayed, operations on the Panel with the user authorization can still be carried out unaffected.

Note

Active switching of a Panel to another IPC is possible

The switchover disable only relates to changing the user authorization on the Panel in a shadowing group on an IPC.

This means that active switching away from one Panel to another IPC is not prevented.

Special features

The following special cases should be noted:

- Even if switchover disable is set, the TCU_INDEX field value may change in the PLC. This is the case under the following circumstances:
 - If the Panel in possession of the user authorization is actively switched to another IPC. Depending on whether another ITC takes over user authorization or no ITC is currently active, like for user authorization switchover, the index of the ITC or the IPC itself is entered if its directly connected Panel is active.

This can also be the value 255 if no TCU index is available for the Panel. Or 0 is entered if a Panel is no longer available in the shadow group.
 - If an m:n switchover is in progress. The HMI program of the incoming IPC deactivates the HMI program which is active on it. A Panel from the shadow group of the new (incoming) IPC must receive the user authorization. The TCU index of this Panel is entered in the TCU_INDEX field.
 - If an IPC is disconnected from an NCK/PLC in the context of m:n. No HMI program and, therefore, no Panel with user authorization is then available on the exited NCK/PLC. This is signaled independently of a switchover disable by entering the value 0 into the TCU_INDEX field.
- If an ITC is actively switched over to another IPC it can be deactivated there, i.e. it does not obtain user authorization if a switchover disable is set for the destination IPC.
- With an m:n switchover of the IPC – the IPC is switched to another NCK and, therefore, to another PLC – the IPC accepts the switchover disable settings of that PLC.
- The m:n interlock options on the PLC side have priority over the ITC switchover disable, so that a set ITC switchover disable cannot prevent an m:n switchover. If necessary, the m:n influencing options should be synchronized here with those for the ITC in the PLC. It may, for example, be practical to set or remove the m:n displacement disable simultaneously with the ITC switchover disable.

Obtaining user authorization

On an ITC that has no user authorization press any key. The operating software does not evaluate this key; this only serves to request user authorization.

The settings for the right to veto are stored in file tcu.ini and are only effective if the operating software is installed on an IPC. You can use the operating software on the Panel of the ITC in the same way as on a Panel connected directly to the IPC.

6.2.2.5 Example: This how you select the behavior of the ITCs during run-up.

Example: Distributing boot support across two IPCs

Make the following settings to distribute the boot support across two IPCs:

1. Select "Boot support runtime and configuration only (TFTP/FTP)" on IPC_1.
2. Select "Boot support IP address only (DHCP)" on IPC_2.
3. Select the configuration "No boot support" on IPC_3.

ITC_1	ITC_2	ITC_3	ITC_4
192.168.214.10	192.168.214.11	192.168.214.12	192.168.214.13
VNC connections: 192.168.214.241 192.168.214.242 192.168.214.243	VNC connections: 192.168.214.241 192.168.214.243	VNC connections: 192.168.214.241 192.168.214.243	VNC connections: 192.168.214.241 192.168.214.242
Switch to system network			
IPC_1	IPC_2	IPC_3	
192.168.214.241	192.168.214.242	192.168.214.243	
Services: <input checked="" type="checkbox"/> DHCP <input checked="" type="checkbox"/> TFTP <input checked="" type="checkbox"/> FTP <input checked="" type="checkbox"/> VNC	Services: <input checked="" type="checkbox"/> DHCP <input checked="" type="checkbox"/> TFTP <input checked="" type="checkbox"/> FTP <input checked="" type="checkbox"/> VNC	Services: <input checked="" type="checkbox"/> DHCP <input checked="" type="checkbox"/> TFTP <input checked="" type="checkbox"/> FTP <input checked="" type="checkbox"/> VNC	
Company network			

"ITC support" settings

In this particular case, IPC_2 serves as the DHCP server. This DHCP server makes the IP addresses available to the connected ITCs. IPC_3 is not involved in the run-up of the ITCs, it is however displayed by the ITCs using VNC.

6.2.3 Network configuration

6.2.3.1 Permissible network topologies

Ethernet connection

A SINUMERIK ONE can only be operated as a network within which the individual components communicate with one another via Ethernet connections. This network must be set up.

The individual components are factory-set so that the most frequently occurring standard configurations can be operated without changing the settings related to the network.

Division into system network and company network

On the SINUMERIK ONE, the components are generally split into a company network on the one hand and a system network on the other.

The connection to the company network provides access to the network drives, for example. On the system network, process data communication and image transmission runs from the components with operator software to the display units of the ITC in question.

This separation is performed via the following specified use of the Ethernet interfaces on the components:

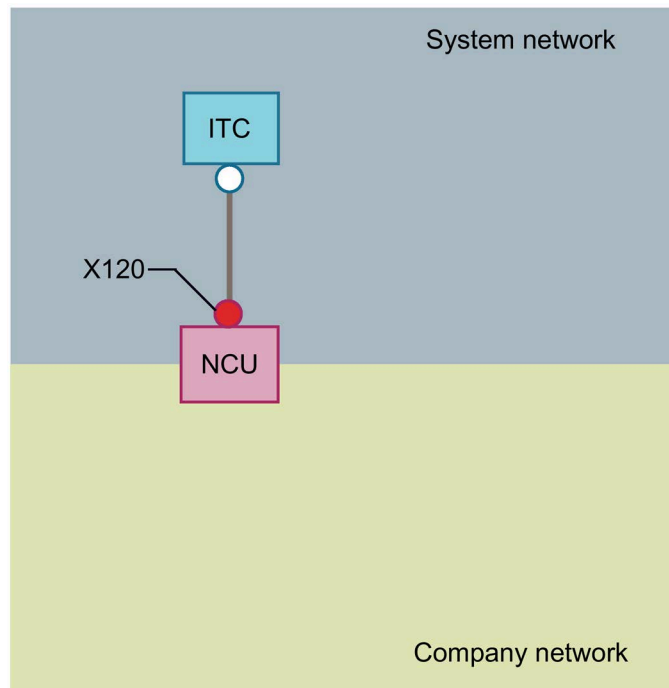
- An ITC is only connected to the system network.
- An NCU is always connected to the system network via X120.
- Ethernet interface Eth 2 of the IPC is preconfigured for connection to the system network; while Ethernet interface Eth 1 is used for connection to the company network.
- An NCU is connected to the company network via X130.

Meaning of the connections:

○	Eth 1 as a DHCP client
●	Eth 2 as a DHCP server
■	Eth 2 with a static IP address
Green connection	Uncrossed Ethernet cable
Gray connection	Crossed Ethernet cable (crossover)

6.2.3.2 Networks without connection to the company network

Configuration 1: NCU and ITC



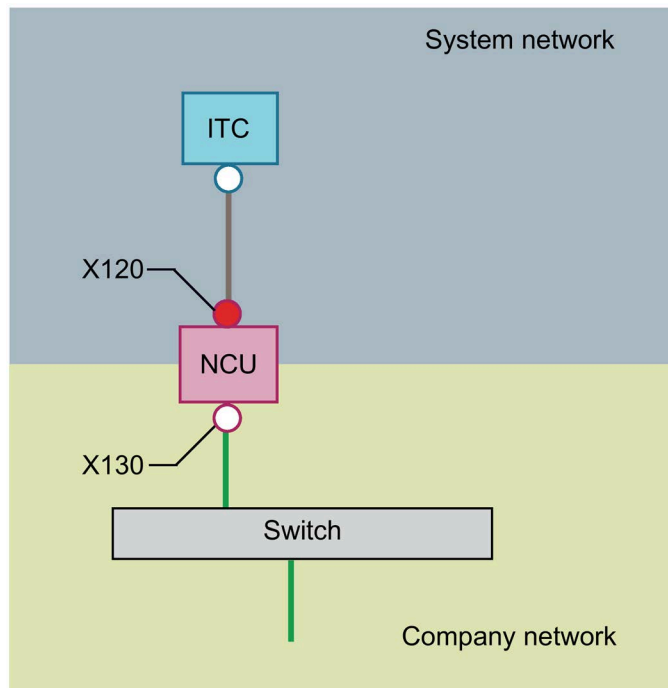
An ITC is connected directly via Ethernet to X120 on the NCU. NCU and ITC are suitably preconfigured with IP addresses.

The IP addresses are not significant for further operation.

The direct connection of the NCU via X120 to the ITC automatically establishes a simple system network consisting of two computer nodes.

6.2.3.3 Networks with NCU connection to the company network

Configuration 2: NCU and ITC



On X130, the NCU is connected to a switch to the company network with a straight cable.

As in configuration 1, there is a direct Ethernet connection between an ITC and X120 on the NCU. NCU and ITC are suitably preconfigured with IP addresses. The IP addresses used here are not significant for further operation.

IP configuration: DHCP server on the company network

On the X130, the NCU is set to the address reference via DHCP. If the company network has a DHCP server that provides the NCU with an IP address/configuration, the NCU is integrated in the company network.

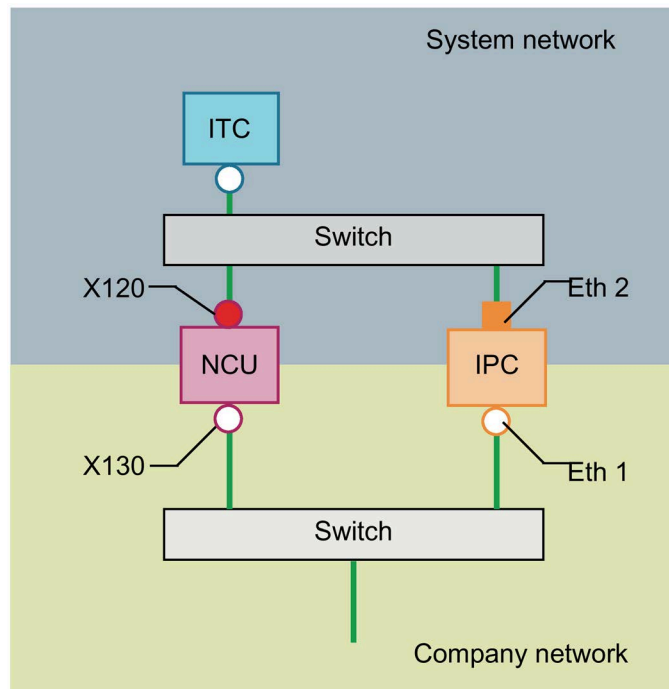
Depending on the infrastructure available or the level of network administration of the company network, the following network parameters must be set for the NCU on X130:

- Computer name on the company network
- The address of a DNS server
- The address of a gateway (default router)

The IP address of the NCU on this connection is also assigned via the network administration.

If the company network offers a low level of administration, in the worst case scenario the network has only one DHCP server that assigns the addresses from a predefined address range, the NCU receives an IP address that is initially unknown.

Configuration 3: IPC with ITC to NCU



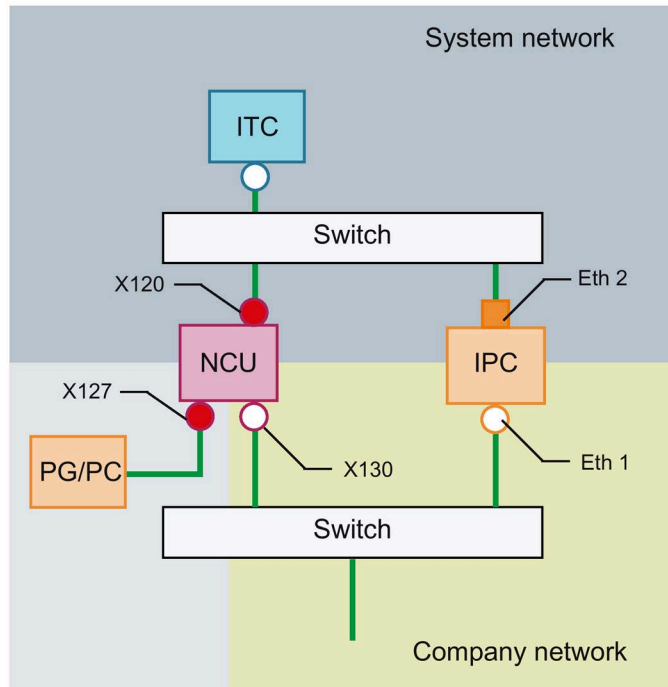
In this configuration, a switch is also required for the system network. All components are connected using suitable Ethernet cables.

The NCU on X120 has the function of the DHCP master with the static IP address 192.168.214.1. For this configuration on Eth 2, the IPC is assigned a static IP address in the range 192.168.214.241 – 192.168.214.249 with a subnet mask 255.255.255.0. The DHCP server of the NCU supplies the ITC with an IP address and is used as a boot server for the ITC. In this configuration, make sure that a SINUMERIK Operate (on the NCU or IPC) is active. Simultaneous operation of multiple Operates is not permissible.

The observations made for configuration 2 apply here with regard to the connection to the company network.

To connect one ITC to both HMI systems you must create an additional connection to the NCU for the ITC.

Connecting the programming device (PG) to the NCU



For service purposes a programming device is connected to the NCU at X127 as a standard DHCP client (automatically obtain an IP address). An NCU is a standard DHCP server on X127. On X127, the NCU occupies the static IP address 192.168.215.1 with the subnet mask 255.255.255.224.

At X127, IP addresses from 192.168.215.2 onwards are assigned via DHCP; e.g. to connect a programming device. This is the reason that a static IP address must not be set at the programming device.

6.2.3.4 Example: Configuring a VNC connection to a PC

Requirements

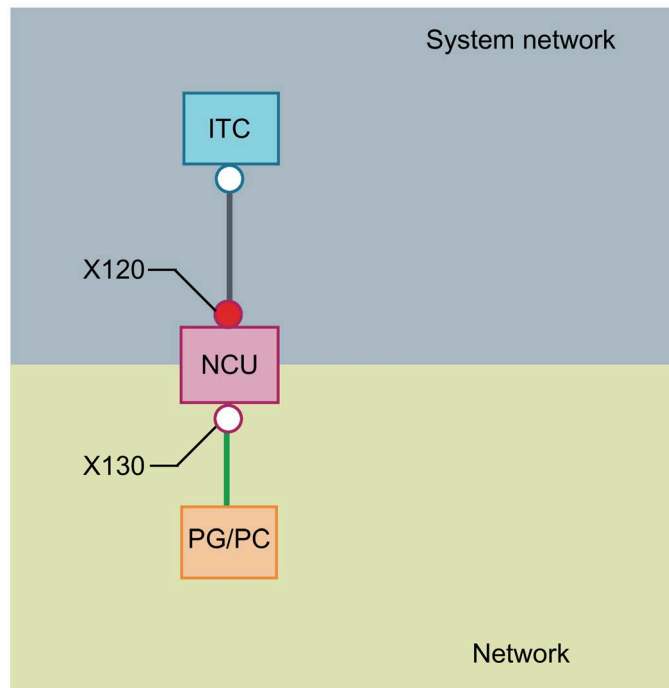
In order to use an ITC to get visual access to a computer from a SINUMERIK system via VNC, the following requirements apply:

- The VNC connections should be configured in the HMI.
- The boot server (active DHCP server) in the system network must be an NCU.
- This NCU must be integrated via X130 or X120, i.e. in the network that contains the computer to be monitored.
- The computer to be monitored must be configured in the config.ini configuration file of the ITC according to the general configuration for an ITC in a separate host section as a switchover target for this ITC.

Where necessary, a password has to be specified in the configuration, if the VNC server requires one on the target system (see below).

- To ensure that the ITC recognizes the new switchover target, the ITC must be restarted and run up.
- The screen resolution of the observed computer must be adjusted to the conditions of the ITC. Otherwise the ITC will scale the image that it receives to the display area that it can manage, resulting in suboptimal display.

Configuration example



Configuration

The config.ini file is located in the following directory:

NCU:

```
/user/common/tcu/<ITC name>/common/tcu
```

IPC (Windows 7 and Windows 10):

```
C:\ProgramData\Siemens\MotionControl\user\common\tcu\<ITC name>\common\tcu
```

The config.ini file must be stored on the boot server (active DHCP).

Example:

```
[Station]
maxhostindex=2          /* Number of nodes that are defined under
                        [host 1] and [host 2].
mcpIndex=192
tcuIndex=1
eksIndex=0
[host_1]
Address=192.168.214.1   /* Address of the NCU to which the
                        connection is established during booting.
[host_2]
Address=157.163.230.202 /* Address of the PC
password=123456         /* Password of the VNC server on the PC
```

Switching over between the nodes



With the menu back key + MENU SELECT, the following actions are triggered:

- The ITC name is displayed in the header of the displayed window, e.g. ITC1.
- A selection list for connecting to the other nodes is displayed on the ITC.

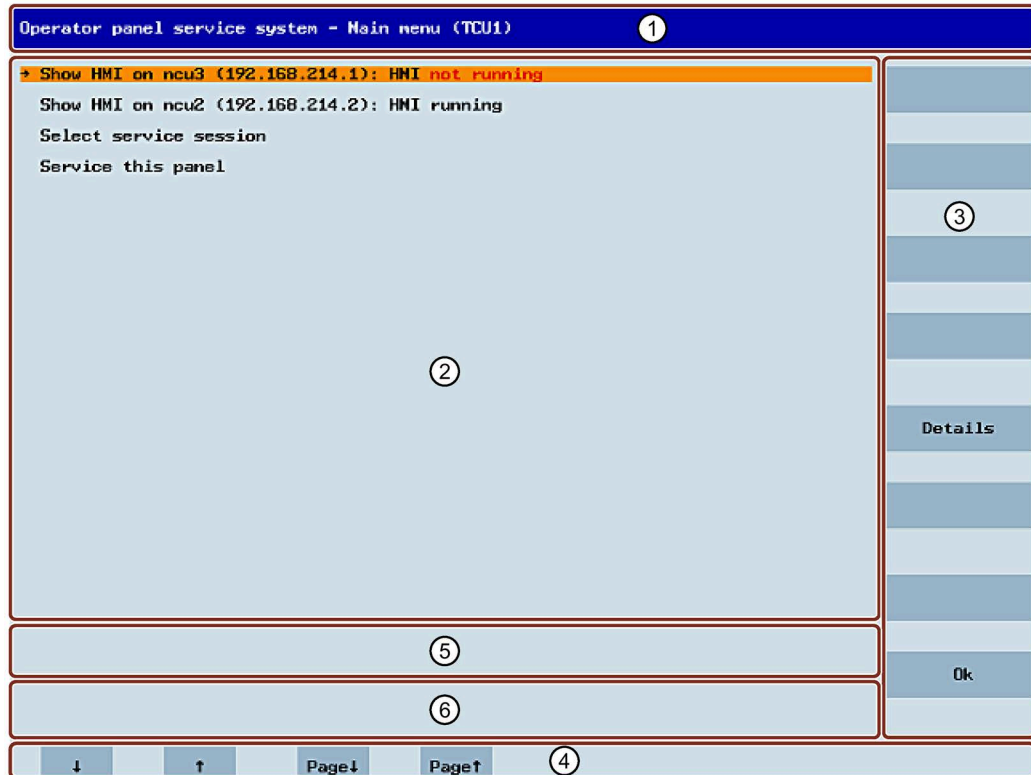
6.2.4 Service and diagnostics

6.2.4.1 Operation of the ITC main menu

Displaying the ITC menu

- With touch screens: Simultaneously touch the left-hand and right-hand lower corner of the active display area with one finger at a time.
- With connected keyboard: Press the menu back key and the <MENU SELECT> key

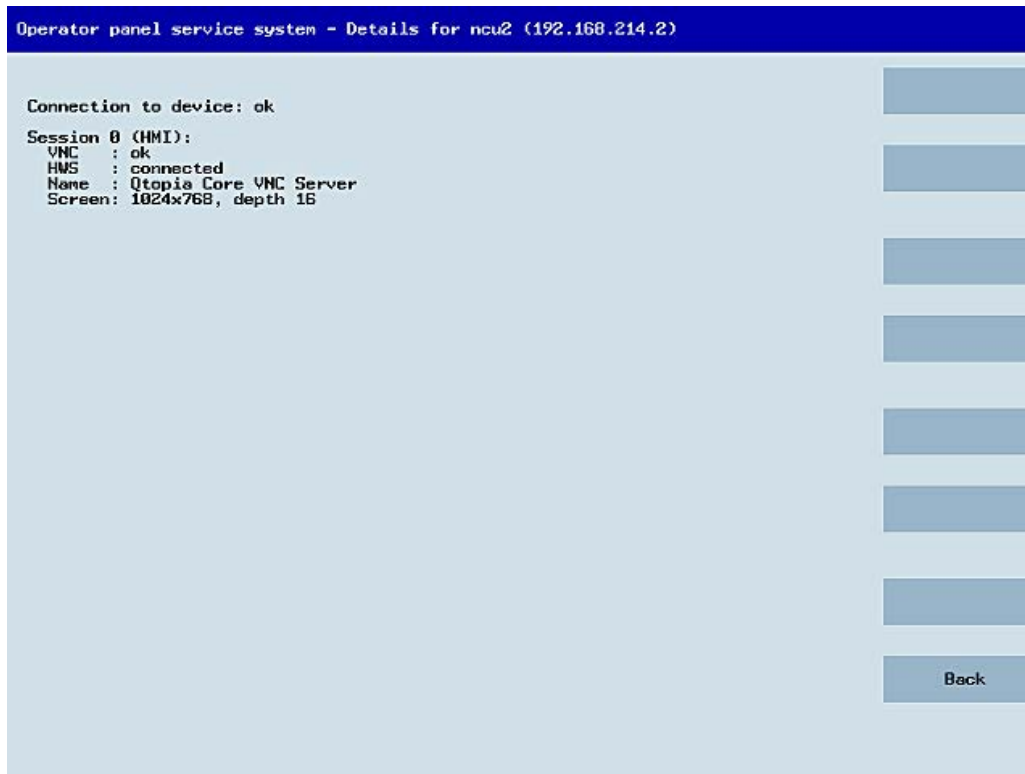


"Main menu"

- ① Title "Main menu" with the selected device name in brackets, in this case "TCU1"
- ② Central area with the list of servers and two further permanent items, "Select service session" and "Service this panel":
 - "Select service session" triggers a server scan which detects all the VNC servers in the local system network. These are then displayed in a session menu which largely reflects the main menu.
 - "Service this panel" opens the "Service menu for operator panel" submenu.
- ③ Eight vertical softkeys for use depending on the context
- ④ Four horizontal softkeys for navigating with the cursor
- ⑤ Message line whose content can be set via HWS commands from the servers
- ⑥ Error line in which error messages as well as transient status messages are output

"Details" softkey

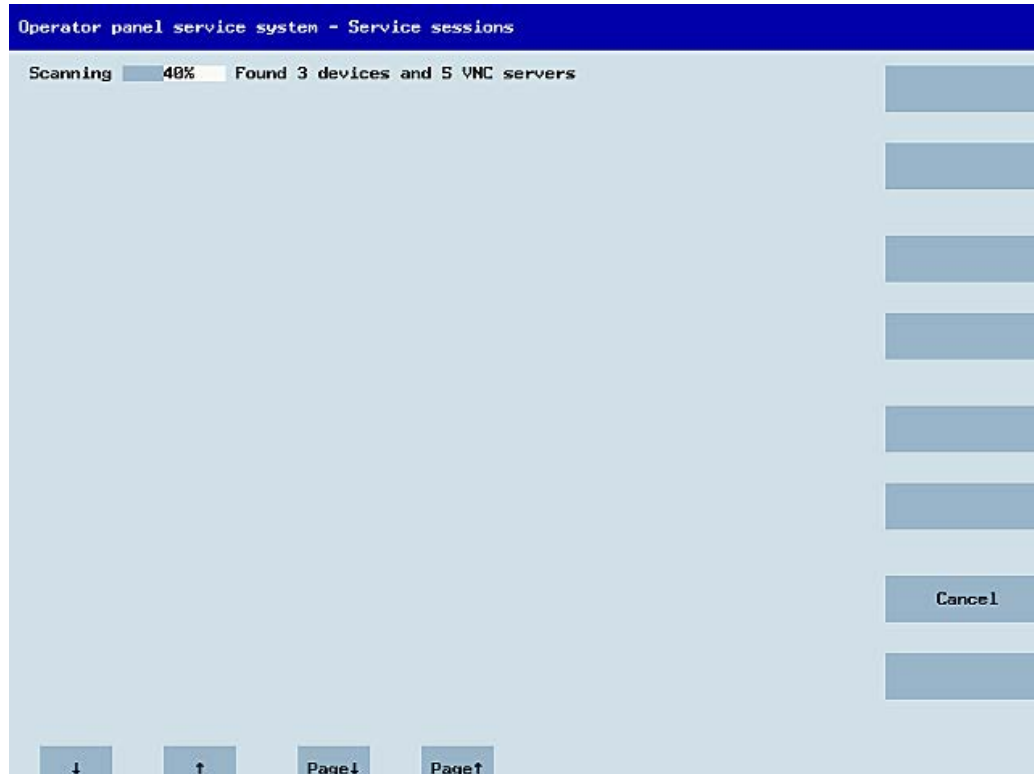
The following connection data for the selected device appears when the "Details" softkey is pressed:



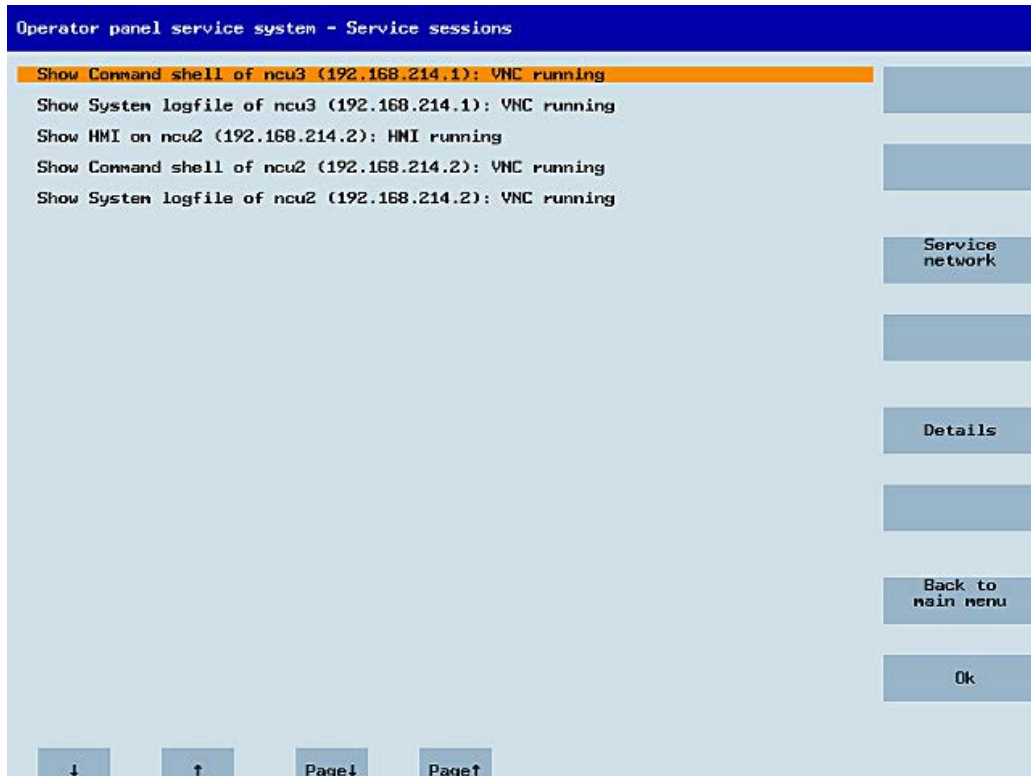
6.2.4.2 Operation of ITC menu "Service sessions"

"Service sessions" dialog

When "Select service session" is selected from the main menu, the resulting process begins by triggering a server scan:



After this, the following dialog appears:



Central area with the server list:

The individual server lines contain either "Show WHAT on NAME (IP)" or the IP address only where the name is unknown.

Session number	VNC server
Session 0	HMI
Session 4	Command shell
Session 5	System logfile
Session 6	System Network Center (SNC)
...	
Session <N>	Other servers

These details are followed by a status message regarding the accessibility of the VNC server.

- "Connection not ok" appears if it is already impossible to access the server from the IP side (if switched off, for example).
- "HMI running/ not running", if an HMI VNC server is accessible.

The VSK8, Return or right cursor keys can be used to launch a VNC viewer for the selected server.

Connection status:

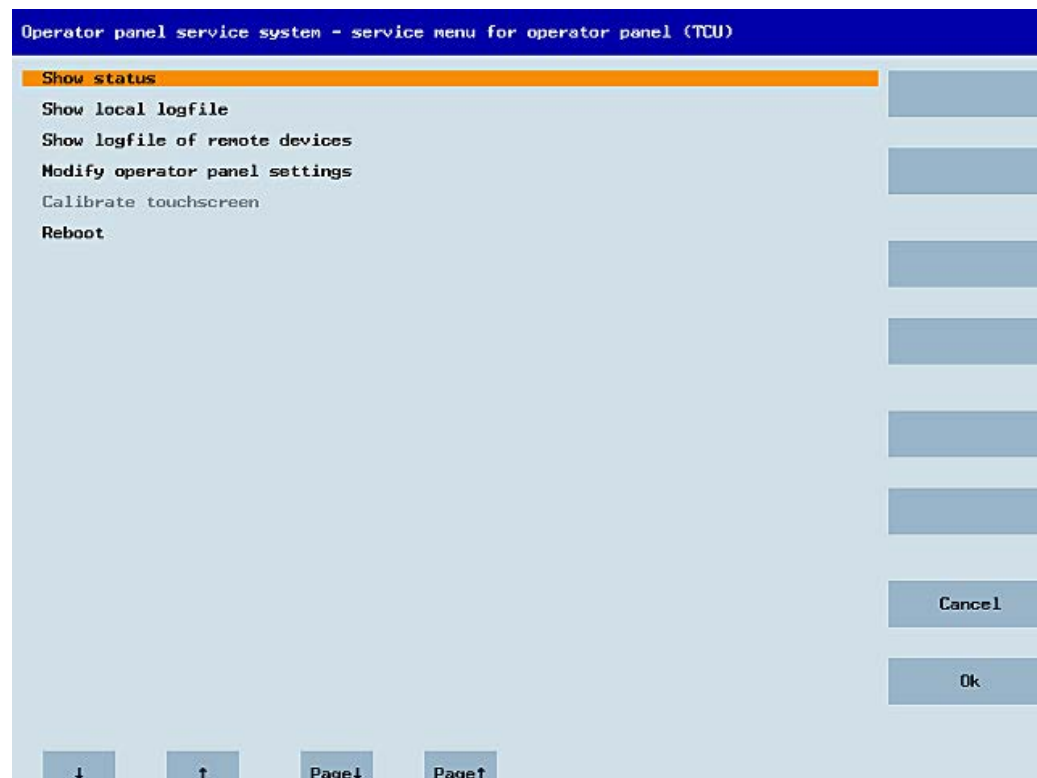
Further details on the connection status can be called with the "Details" softkey. In the next dialog, "not ok" or "not running" are accompanied by an additional error message with more precise details on the reason for the loss of function. With more favorable scenarios, the session name for the VNC server will also be specified along with its resolution.

The connection and HMI status are monitored on a regular basis in the background. This may mean that these specifications change spontaneously if a change is made on the relevant server, e.g. it may be switched off, the HMI may become available, etc.

6.2.4.3 Operation of ITC menu "Service menu"

"Service menu for operator panel (TCU)" dialog

The following dialog appears when "Service this panel" is selected from the main menu:



The following menu items are available here:

- "Show status" shows status information, for example: Software version, HW infos, network data of the ITC and its configuration:

```
Operator panel service system - Operator panel status

Software
-----
Version      : L02.60.13.00

Hardware
-----
Hardware-ID  : 7.1.0.0 (TCU)
Feature flags: 00000000 (no direct keys, 0 hand wheels)
Panel size   : 800x600, depth 16
Input devices: 1 keyboard, 1 mouse, 0 touchscreens

Network Status
-----
Interface    : 100 MBit, full duplex
IP Address   : 192.168.214.18
Netmask      : 255.255.255.0
MAC Address  : 08:00:06:73:5a:7a
Boot Server  : 192.168.214.1
Gateway      : 192.168.214.1

config.ini
-----
[Station]
mcpIndex=192
tcuIndex=1
dckEnable=0

[Host_1]
Address = 192.168.214.1

[Host_2]
Address = 192.168.214.2

Back

↓      ↑      Page↓      Page↑
```

- "Show local logfile" shows a filtered version of the system log file in the `/var/log/messages` directory, which contains only the messages of the local ITCs. Syslog messages received via the network are not displayed.

```
Operator panel service system - Local logfile
00:06:06 syslogd started: BusyBox v1.00 (2008.10.14-21:56+0000)
00:06:06 kernel: process `syslogd' is using obsolete setsockopt SO_BSDCOMPAT
00:06:06 udhcp[821]: udhcp client (v0.9.7) started
00:06:08 udhcp[821]: Lease of 192.168.214.18 obtained, lease time 864000
00:06:08 dhcp: eth0 bound to 192.168.214.18 (server: 192.168.214.1)
00:06:09 sntp[973]: using NTP server ? (192.168.214.1)
00:06:09 sntp[973]: NTP server is unsynchronized
00:06:12 sysinit: basic system initialization finished
00:06:13 kernel: i2c adapter i2c-0: timeout in state quick
00:06:13 tcodatad[1076]: i2c_write_1b: Input/output error
00:06:13 tcodatad[1076]: have_eeprom: failure, assuming no EEPROM
00:06:13 tcodatad[1076]: no EEPROM and no CF card, nothing to do
00:06:13 sysinit: starting subsystem /system/vncviewer: VNC Viewer version 02.60.→
10.00
00:06:14 startvnc[1186]: waiting for default server (192.168.214.1:0) being avail→
able
00:06:14 startvnc[1186]: HWS connection to 192.168.214.2:0 established
00:06:14 startvnc[1186]: HWS connection to 192.168.214.1:0 established
00:06:31 sntp[973]: NTP server is unsynchronized
00:06:47 lshd[1047]: lshd: publickey authentication for user root succeeded.
00:06:53 sntp[973]: NTP server is unsynchronized
00:07:15 sntp[973]: NTP server is unsynchronized
00:07:19 startvnc[1186]: default server connection aborted manually
00:07:37 sntp[973]: NTP server is unsynchronized
00:07:59 sntp[973]: NTP server is unsynchronized
00:08:21 sntp[973]: NTP server is unsynchronized
00:08:25 lshd[1047]: lshd: publickey authentication for user root succeeded.
00:08:43 sntp[973]: NTP server is unsynchronized
00:09:05 sntp[973]: NTP server is unsynchronized
00:09:13 lshd[1047]: lshd: publickey authentication for user root succeeded.
00:09:27 sntp[973]: NTP server is unsynchronized
00:09:49 sntp[973]: no acceptable packets received
00:12:20 lshd[1047]: lshd: publickey authentication for user root succeeded.
00:13:20 lshd[1047]: lshd: publickey authentication for user root succeeded.
00:14:02 lshd[1047]: lshd: publickey authentication for user root succeeded.
00:14:39 last message repeated 1 times
```

- "Show logfile of remote devices" shows the log file of the other devices in the network: The syslog messages of devices in the system network which send syslog messages by broadcast, such as NCU.
- "Modify operator panel settings" opens another submenu, see next section.
- "Calibrate touch screen" is only active if there is a touch screen. This menu item recalibrates an available touch screen.
- "Reboot" initiates a cold restart of the system (reboot).

Note

Long lines are broken and wrapped around.

Lines that are longer than the space available wrap round onto the next line so that you do not have to scroll horizontally. When this occurs, the line has a right-facing arrow at its right edge.

6.2.4.4 Operation of ITC menu "Modify settings"

"Modify settings for operator panel (TCU)" dialog

The following dialog appears when "Modify settings" is selected from the main menu:

Parameter	Value
Operator panel index - TCU [0-255]	1
Machine control panel address - MCP [0-255]	192
Electronic key system index - EKS [0-255]	0
Enable direct keys	No
Virtual Keyboard	Auto
Software Caps-Lock	Auto
Screen Rotation	Auto(from panel)
Old VNC Password (needed to change or remove the password)	
Set VNC Password	
Repeat Password	
Enable touch capability	No

The following parameters are set here during first commissioning:

- "HT 8 individual mode" (yes/no)
This is only visible with HT 8, and is used to switch between Auto Mode and Individual Mode.
You do not have to make settings for an HT 8 in Auto Mode because the name is generated automatically: ("DIP<n>") MCP address and TCU index are derived from the DIP setting ("DIP<n>").
- "Operator panel index - TCU" (0-255)
Defines the TCU index; see column "TCU" on the user interface.
- "Machine control panel address - MCP" (0-255)
Specifies the address of the associated MCP; see column "MCP" on the user interface.
- "Electronic key system index - EKS" (0-255)
Specifies the index of the associated EKS; see column "EKS" on the user interface.
- "Enable direct keys" (yes/no)
Specifies whether direct keys are registered with the PLC (yes) or are treated as ordinary keys (no); see column "DCK" on the user interface.

- "Virtual Keyboard" (Auto/On/Off)
Specifies whether a virtual keyboard is shown on the screen for touch screens. Depending on the panel features (Auto), the HMI decides whether a touch screen or keyboard is available.
This parameter can also be set manually (On/Off).
- "Software Caps-Lock" (Auto/On/Off)
The HMI can manage the Caps-Lock status of a keyboard in the software itself, when, for example, the key is not available. This is normally (Auto) switched on via a display machine data item. This machine data item can be overwritten individually for the ITC with the setting (On/Off).
- "Screen Rotation" (0°/90°/180°/-90°/Auto)
Specifies in which angle the screen is to be rotated in the software. This is useful when the Panel is to be rotated during installation.
For the "Auto" setting, the rotation of the display is taken from the Panel.
- "Old VNC Password"
If a password has already been set, it must be entered here so that it can be changed. If no password has been set, this field is grayed-out. The existing password can also be deleted if, after entering the old password, no new password is to be entered at "Set VNC Password" and "Repeat Password".
- "Set VNC Password"
Assign a password, which is stored in the ITC and, if required, sent to the server when the VNC connection is established.
- "Repeat Password"
Repeat the password entered at "Set VNC Password".
- "Enable touch capability" (yes/no)
Specifies whether the screen can be operated by touch. If you deactivate this option, you will need a keyboard to reactivate it.

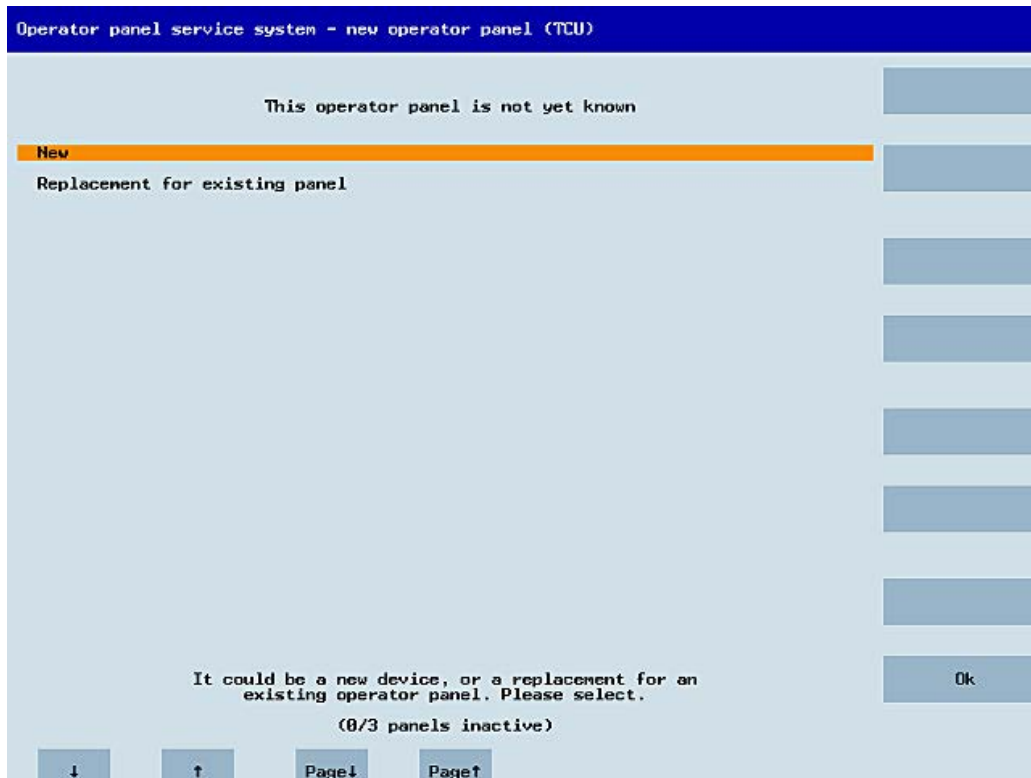
The values are applied and stored with "OK". You can also make any subsequent adaptations or changes via the user interface in the "Setup" operating area > menu forward key > "OPs" softkey.

6.2.4.5 Operation of the menu for a new ITC or replacement ITC

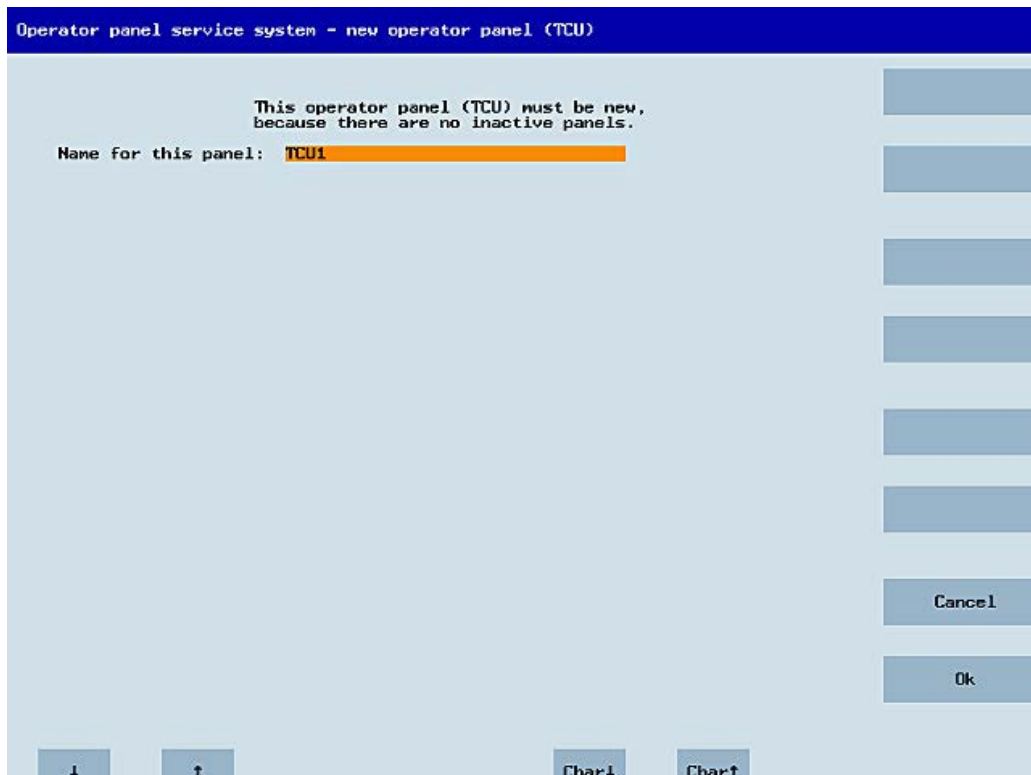
Registering a new ITC

When an unknown ITC not yet registered with the boot server is started, a selection menu containing the "New" and "Replacement for existing panel" items is displayed. The accessibility of all the registered ITCs is tested in the background.

The status of this test is displayed in the message line: "(0/3 panels inactive)".



If all ITCs are active, the new ITC cannot be a replacement. The system will then automatically switch to the name assignment phase after a set period of time has elapsed.

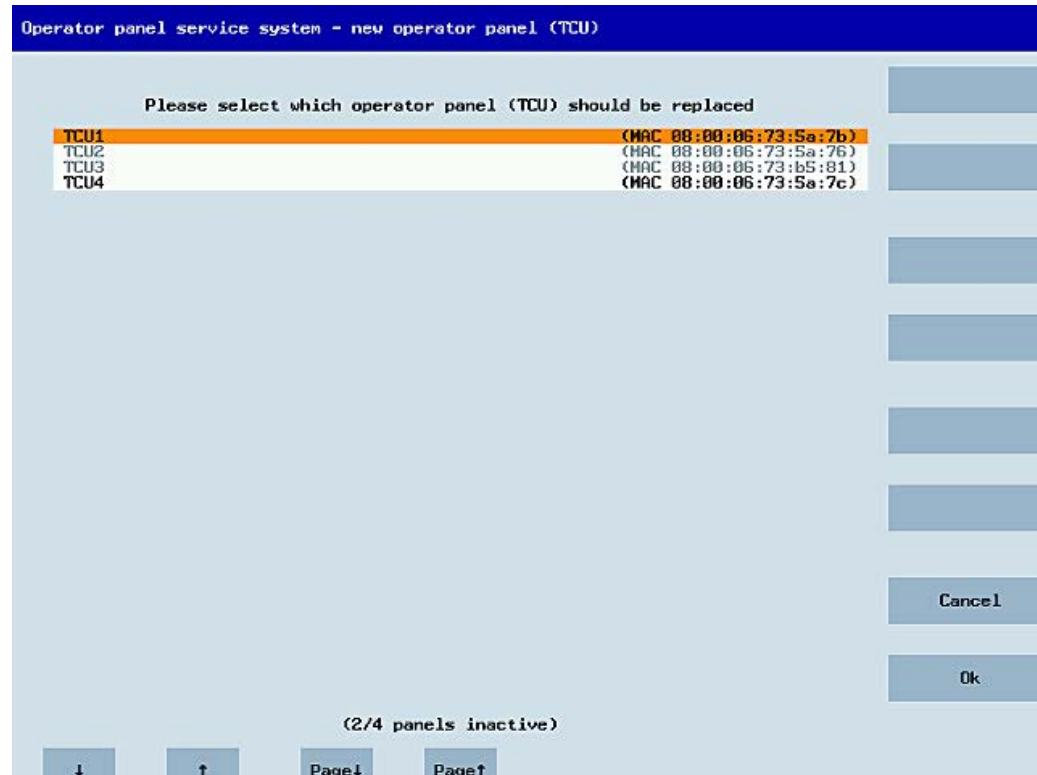


Replacing a device

If "Replacement" is selected, all the registered ITCs will appear in a selection menu. Those that are active in the network are grayed out. They are functioning and should not be replaced by a spare part. The cursor automatically defaults to the first line for selection.

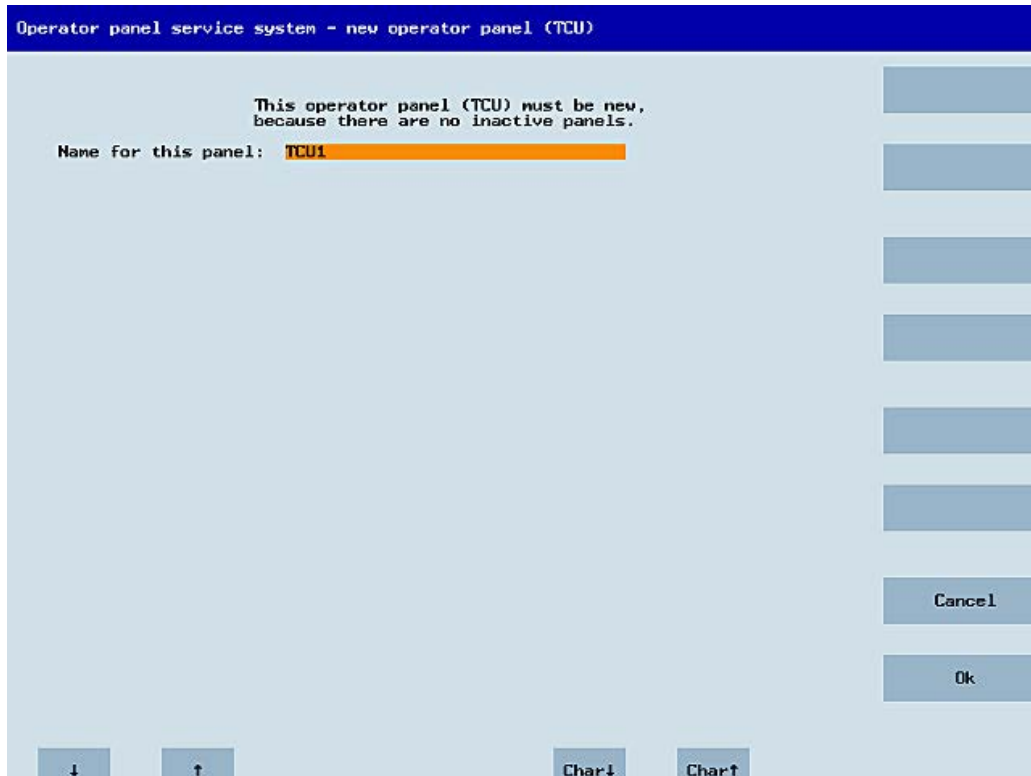
As the accessibility test is still running in the background, the active status of the lines may change if Panels are switched on or off.

If a name is ultimately chosen, it will be applied to the new ITC along with the associated saved settings.



Assigning a name

If, as described above, the system automatically follows the "New" path, an additional message will appear: "This operator panel (TCU) must be new, because there are no inactive panels." This message will not appear if "New" is selected manually.



Any name is suggested in the input field, although the user can change this. The default name is "ITC<N>", where <N> is the lowest number yet to be used. If, however, the name is already allocated after the OK softkey has been pressed, which may happen if a number of ITCs log on at the same time, and the suggestion has not changed, a new and unused name will be specified.

If the name selected was still available, this will now be allocated. If required, you can adapt the settings. To enable any changes to be made, a new dialog appears in which all the parameters have been pre-assigned their default values. You can make any changes you like or just select "OK" to accept the existing values.

6.2.4.6 How to register an ITC in the system network

Precondition

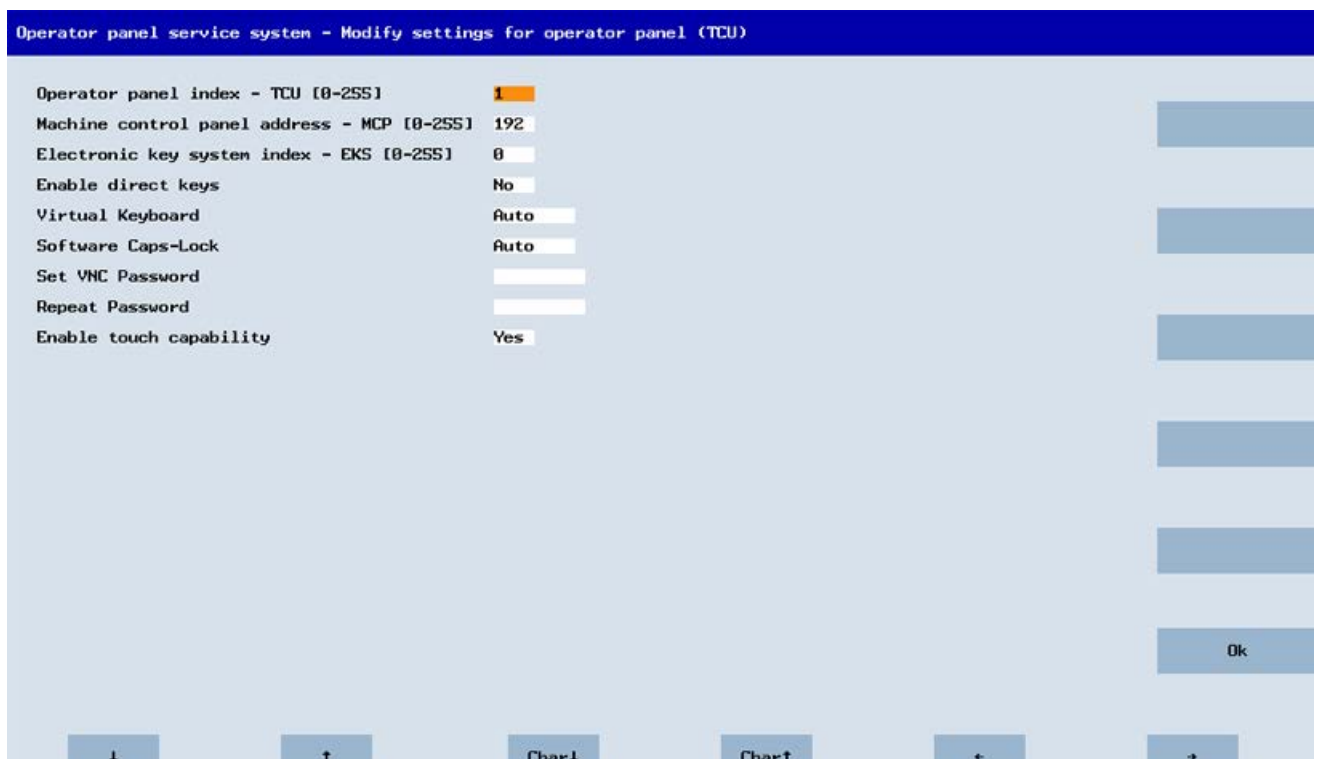
The boot server (NCU or IPC) defined in the system network as a DHCP master must be switched on and available in the network.

Using ITC

Procedure:

1. Connecting ITC
This opens the "New operator panel (TCU)" dialog.
2. Select "New" to connect a new ITC and confirm with "OK".
3. In the next dialog, accept the name suggested by the system or enter a name and confirm this with "OK".

The following parameters are preselected for the ITC:



4. Restart the ITC to apply the new settings.
5. If you want to change the parameters, select "Main menu" > "Service this panel" > "Modify operator panel settings".

Procedure for the HT 10

1. Connect the HT 10 to a connection module and calibrate the touch screen.
Additional softkeys are available for convenient touch panel operation:
 - "OK" has the same function as the <INPUT> key
 - Select "DEF" to save the "Default" settings.
 - "Edit" has the same effect as the <F10> or <MENU SELECT> key.
2. Select HT 10 Individual Mode:
According to the default setting for an HT 10, "HT 10 Individual Mode" is deselected with "No". This means "Auto" mode is activated for automatic detection in the system network. The HT 10 is automatically detected based on its name "DIP_". If "HT 10 Individual Mode" is activated with "Yes", the HT 10 is identified by its MAC address on the system network.
3. For an HT 10, confirm the "DIP..." name proposed by the system or adapt the name. You can select any other characters.

Press the <INPUT> key to apply the following values as default settings for the HT 10:

HT8 Individual Mode	No
Operator panel index - TCU [0-255]	10
Machine control panel address - MCP [0-255]	10
Electronic key system index - EKS [0-255]	0
Enable direct keys	No

The following message will then appear: "New TCU 'DIP10' registered."

Note

TCU index for the HT 10

The TCU index is used to evaluate the direct keys. Direct keys can only be activated by appropriate devices. For an HT 10 the TCU index cannot be set, but is assigned by the system.

Activate direct keys

The signals from pressing the direct keys are sent directly to the PLC. In the PLC, the keys appear as 16 digital inputs.

Additional information on programming the PLC is provided in:

SINUMERIK ONE PLC Function Manual

Definition: Operator panel

The term operator panel designates a unit that consists of a Panel, an ITC or IPC, and a machine control panel (MCP), all of which are connected to each other via Ethernet.

All ITCs and IPCs with IFP can be used.

Specifying settings without machine control panel

If an IPC or an ITC has no machine control panel (MCP), you must set one of the two following options:

- MCP address = 0 or no entry

After the change of user authorization, there is no switchover of the machine control panel; the previously active MCP remains active.

- MCP address = 255

If the user authorization is transferred to this IPC or ITC, the previous machine control panel is deactivated and there is no active machine control panel from this point on.

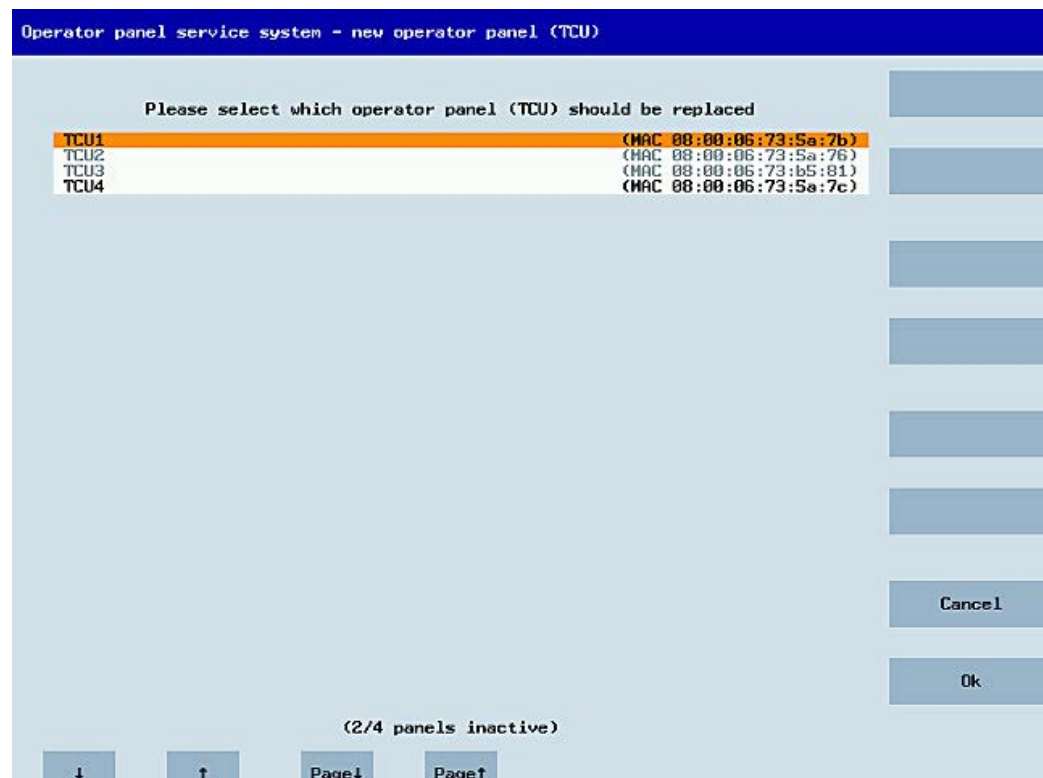
6.2.4.7 How to register a replacement ITC

To connect the replacement ITC, proceed as follows:

1. Connect the new ITC.

The "New operator panel (TCU)" dialog opens.

This dialog lists the ITCs on the system network along with their "active" or "inactive" status:



2. Select the name previously assigned to the defective ITC. Now the new ITC is recognized on the network and acquires all of the configuration settings from the ITC that is to be replaced.

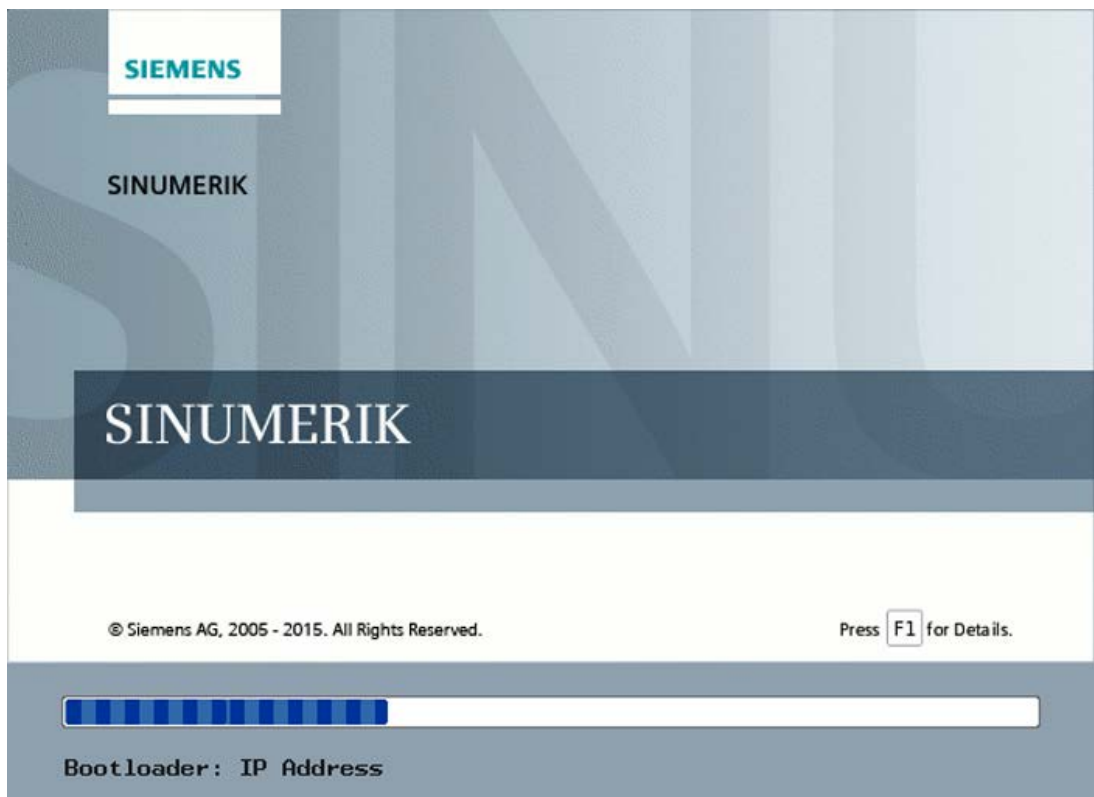
6.2.4.8 Run-up of the panel

Messages during booting

Messages during run-up

While the ITC runs up, a progress indicator is displayed with messages showing the current status after the BIOS has been loaded and before the operating system starts. While the IP address is being determined via DHCP and the TFTP is being downloaded (boot image), a progress bar indicates that run-up of the ITC is not yet complete, or that a fault has occurred.

The figure below shows the structure of these messages:



You can see the current boot phase below the progress bar. If a fault occurs, you can call further information by touching the "F1" field.

Diagnostics options during booting

Diagnostics while booting supplementary conditions

In the following supplementary conditions, the diagnostics window is displayed and run-up of the ITC is interrupted:

- When the <1 / F1> function is selected during booting
- When a warning message is displayed
- When a fault occurs

You can select functions <1 / F1> to <8 / F8> mentioned below by tapping on the Panel. Alternatively, you can do this via the corresponding function keys of a connected USB keyboard.

Using the <1 / F1> function

```

Thin Client Bootloader V06.00.03.00

Boot Progress

BIOS Version V04.00.00.00
MAC Address 00:13:95:33:ab:c9
Hardware-ID 7.11.0.0
Network link 1000MBit, full duplex
Boot from USB no device found
IP Address 192.168.214.13
Netmask 255.255.255.0
DHCP Server 192.168.214.1
Boot Server 192.168.214.1
Image Metadata 190 bytes
Image Signatur 3139 bytes

Linux Image (linux.bin) 76458888 bytes
Image Kind boot server
Select Boot Entry default
Bootting ready

<1/F1> protocol <2/F2> Readme_OSS <7/F7> continue <8/F8> reboot

```

Key / text	Meaning
F1 protocol	Display detailed information
F2 Readme_OSS	Details of the Open Source licenses
F7 continue	Continue ITC run-up
F8 reboot	Restart ITC

Press <1 / F1> to continue

If you select function <F1> in the diagnostics window, the, detailed diagnostic information is output.

Key / text	Meaning
F1 ... F6	Navigate within the window (alternatively, the relevant keys on the OP can be used).
F7 -detail	Display less information
F8 +detail	Display more information
F9 back	Return to diagnostics window

Device maintenance and repair

7.1 General information on maintenance and servicing

Observe the following when servicing and repairing protective equipment e.g. such as ground circuits or overvoltage protection components:

- Observe the maintenance and replacement intervals.
- Replace system components, including external cables, fuses and batteries only with equivalent components approved by the respective manufacturer.

7.2 Cleaning the device

The HMI device is designed for low-maintenance operation. You should still clean the device front regularly, however.

WARNING

Unintended reaction when cleaning the unit

You risk unintentional actuation of control elements if you clean the device while it is switched on.

You may unintentionally trigger actions of the device or controller. Personal injury or damage to the machinery may result.

Switch off the device before cleaning or, during ongoing operation, clean the touch screen only when it is in a locked state. Note that the touch screen lock automatically ends after 15 seconds.

Detergents

NOTICE

Damage to the HMI device caused by impermissible detergents

Inadmissible and unsuitable detergents can damage the control unit.

Use only dish soap or foaming screen cleaner as detergents. Do not use the following detergents:

- Aggressive solvents or scouring powder
- Steam jets
- Compressed air

Observe the information on chemical resistance (<https://support.industry.siemens.com/cs/ww/en/view/39718396>).

Requirement

- Cleaning cloth
- Dishwashing liquid or foaming screen cleaning agent

Procedure

Proceed as follows:

1. Switch off the device or disable the touch screen using the "Clean screen" function in taskbar.

If you use the "Clean screen" function, the touch screen is disabled for 15 seconds. If the cleaning requires more time, activate the "Clean screen" function several times for the entire cleaning period.

2. Spray detergents on the cleaning cloth and not directly on the device.
3. Clean the device with the cleaning cloth.

7.3 Spare parts and repairs

Repairs

Contact your Siemens representative (<https://www.siemens.com/aspa>). You can filter according to competence, product and region.

Your contact person can tell you whether a product can be repaired and which modalities apply for returning it.

Also contact your representative before returning your product if you need prioritized handling for repair of the product, a cost estimate, a repair report or fact-finding report.

Your contact person can also give you information about possible spare part procurement.

Spare parts

Spare parts and accessories for the HMI device can be found in section "System components and accessories (Page 23)".

7.4 Recycling and disposal

Due to the low levels of pollutants in the HMI devices described in these operating instructions, they can be recycled.

Contact a certified disposal service company for electronic scrap for environmentally sustainable recycling and disposal of your old devices and dispose of the device according to the relevant regulations in your country.

Technical specifications

8.1 Labels, certificates and approvals

Note**Approvals on the rating plate**

The following overview shows possible approvals.

Only the approvals specified on the rating plate apply to the device.

CE marking

The devices meet the general and safety-related requirements of the following EU Directives and conform with the harmonized European standards (EN) published in the official gazettes of the European Union and confirmed in the EU declarations of conformity:

- 2014/30/EU "Electromagnetic Compatibility" (EMC Directive)
- 2011/65/EU "Directive of the European Parliament and of the Council of 8 June 2011 on the restriction of the use of certain hazardous substances in electrical and electronic equipment" (RoHS Directive)

If the device has Ex approval, the following also applies:

- 2014/34/EU "Equipment and protective systems for use in hazardous areas" (Explosion protection directive)

EU Declaration of Conformity

The EU Declarations of Conformity are available to the relevant authorities at the following address:

Siemens AG
Digital Industries
Factory Automation
DI FA TI COS
Postfach 1963
D-92209 Amberg

The Declaration of Conformity and other certificates are also available at the following Internet address: Industrial Thin Clients Certificates

(<https://support.industry.siemens.com/cs/ww/en/ps/16794/cert>)

UKCA marking



The devices fulfill the requirements and protection goals of the following regulations and associated supplements and comply with the designated British standards (BS) published in the official consolidated list of the British Government.

- Electromagnetic Compatibility Regulations 2016 (EMC)
- Regulations on the restriction of the use of certain hazardous substances in electrical and electronic equipment 2012 (RoHS)

If the device has Ex approval, the following also applies:

- Equipment and Protective Systems Intended for use in Potentially Explosive Atmospheres Regulations 2016 (Explosion Protection)

UK Declarations of Conformity

The UK Declarations of Conformity are available to the relevant authorities at the following address:

Siemens AG
Digital Industries
Factory Automation
DI FA TI COS
Postfach 1963
D-92209 Amberg

You can also find these for download on the Internet at the following address, keyword "Declaration of Conformity":

Industrial Thin Clients Certificates
(<https://support.industry.siemens.com/cs/ww/en/ps/16794/cert>)

UL approval



Observe the following information:

- The device shall be supplied from an isolating source, rated 24 VDC.
- Only for use in LAN, not for connection to telecommunication circuits.

Underwriters Laboratories Inc. (E116536 or E472609) in accordance with

- UL 61010-1 and UL 61010-2-201
- CAN/CSA C22.2 No. 61010-1 and 61010-2-201

or

Underwriters Laboratories Inc. (E222109 or E472610) in accordance with

- UL 61010-1 and UL 61010-2-201
- CAN/CSA C22.2 No. 61010-1 and 61010-2-201
- UL 121201 (Hazardous Location)
- CAN/CSA C22.2 No. 213 (Hazardous Location)

Approved for use in

- Class I, II, III, Division 2, Group A, B, C, D, F, G; T4 or
- Class I, Zone 2, Group IIC T4
- Class II, Zone 22, Group IIIA, IIIB, IIIC T135
- non-hazardous locations

FM Approval

Factory Mutual Research (FM) conforming to

- Approval Standard Class Number 3611, 3600, 3810
- ANSI/ISA 61010-1
- ANSI/UL 121201
- ANSI/NEMA 250
- CAN/CSA C22.2 No. 0-10
- CAN/CSA-C22.2 No. 94
- CAN/CSA C22.2 No. 213
- CAN/CSA C22.2 No. 61010-1

Approved for use in

- Class I, II, III, Division 2, Group A, B, C, D, F, G; T4
- Class I, Zone 2, Group IIC T4
- Class II, Zone 22, Group IIIA, IIIB, IIIC T135

Installation instructions for cFMus:

WARNING – Do not remove or replace while circuit is live when a flammable or combustible atmosphere is present.

WARNING – Substitution of components may impair suitability of the equipment.

CAUTION – To prevent injury, read the manual before use.

Additional instructions for cFMus, built-in devices:

WARNING – The equipment is intended to be installed within an enclosure/control cabinet. The inner service temperature of the enclosure/control cabinet corresponds to the ambient temperature of the module. Use cables with a maximum permitted operating temperature of at least 20 °C higher than the maximum ambient temperature.

ATEX/UKEX/IECEX approval**Notes on use in hazardous areas**

Observe the following FAQ regarding the use of an HMI device in hazardous areas: ATEX-FAQ (<https://support.industry.siemens.com/cs/ww/en/view/291285>)

When using the device in hazardous areas, ensure that all plugs connected to the device are secured in a captive manner, see section "Securing cables for use in hazardous areas (Page 66)".


You can find more information about explosion protection, EC/EU declarations of conformity and other certificates on the Internet at the following address: Industrial Thin Clients Certificates (<https://support.industry.siemens.com/cs/ww/en/ps/16794/cert>)

ATEX/UKEX approval

For an HMI device with "Ex" marking, the following approvals apply according to the following standards.

- Standards:
 - EN IEC 60079-0
 - EN IEC 60079-7
 - EN 60079-31

- Approvals:


	II 3 G	Ex ec IIC T4 Gc
	II 3 D	Ex tc IIIC T 70 °C Dc

IECEx approval

For an HMI device with "IECEx" marking, the following approvals apply according to the following standards.

- Standards:
 - IEC 60079-0
 - IEC 60079-7
 - IEC 60079-31

- Approvals:

	Ex ec IIC T4 Gc
	Ex tc IIIC T 70°C Dc

CCCEX approval



The following approvals according to the following standards are valid for a device with the "CCC" marking.

- Standards:
 - GB/T 3836.1 (Explosive atmospheres - Part 1: Equipment - General requirements)
 - GB/T 3836.3 (Explosive atmospheres - Part 3: Device protection through type of protection "e")
 - GB/T 3836.31 (Explosive atmospheres - Part 31: Equipment dust explosion protection by enclosure "t")
- Approvals:
 - Ex ec IIC T4 Gc
 - Ex tc IIIC T70°C Dc

Special conditions of use

- The front of the HMI devices and the SIMATIC PRO device including the top of the adapter provide a degree of protection of at least IP65.
The front of the HMI device and the underside of the adapter must be installed with a certified enclosure that ensures a degree of protection of at least IP54 in accordance with GB/T 3836.1 for Group II, IP54 according to GB/T 3836.1 for Group IIIA and IIIB and IP6X according to GB/T 3836.1 for Group IIIC.
During use, make allowances for the ambient conditions.
- The equipment shall be installed in such a way that the risk of mechanical danger is low.
- To avoid an electrostatic charge, wipe the enclosure surface with a damp cloth only.
- The following mounting positions and temperature ranges are permitted for the built-in units:
 - Landscape format without inclination at a maximum ambient temperature of up to +50 °C (ITC1200/1500 V3) and +45 °C (ITC1900/2200/2400 V3).
 - Landscape format with 35° inclination at an ambient temperature of up to +40 °C.
 - Portrait format without inclination at an ambient temperature of up to +40 °C.
 - Portrait format with 35° inclination at an ambient temperature of up to +35 °C.
- When used in an area requiring the use of equipment with EPL Gc, the following additional conditions apply:
 - The equipment shall only be used in an area of not more than pollution degree 2, as defined in GB/T 16935.1.
 - Provisions shall be made to prevent the rated voltage from being exceeded by transient disturbances of more than 119 V.

IEC 61010-2-201/IEC 61131-2

The devices meet the requirements and criteria of the IEC 61010-2-201 and/or IEC 61131-2 standard.

- IEC 61010-2-201, Safety regulations for electrical equipment for measurement, control, and laboratory use: Particular requirements for control equipment
- IEC 61131-2, Programmable controllers: Equipment requirements and testing

RCM AUSTRALIA/NEW ZEALAND



This product meets the requirements of EN 61000-6-4 Generic standards – Emission standard for industrial environments.

This product meets the requirements of the standard EN 61000-6-4 Generic standards – Emission standard for industrial environments.

KOREA



This product satisfies the requirement of the Korean Certification (KC Mark).

이 기기는 업무용(A급) 전자파 적합기기로서 판매자 또는 사용자는 이 점을 주의하시기 바라며 가정 외의 지역에서 사용하는 것을 목적으로 합니다.

Note that this device conforms to Limit Class A for emission of radio interference. This device can be used in all areas except the residential area.

Eurasian Customs Union marking



EAC (Eurasian Conformity)

- Customs union of Russia, Belarus and Kazakhstan
- Declaration of conformity according to Technical Regulations of the Customs Union (TR CU)

WEEE label (European Union)



Disposal instructions, observe the local regulations and the section "Recycling and disposal (Page 164)".

8.2 Electromagnetic compatibility

The HMI device satisfies, among other things, the requirements of the EMC guidelines of the European domestic market.

EMC-compatible installation of the HMI device

The EMC-compliant installation of the HMI device and the application of interference-proof cable is the basis for interference-free operation.

Observed the following manuals in addition to these operating instructions:

- Designing interference-free controllers
(<https://support.industry.siemens.com/cs/ww/en/view/59193566>)
- Industrial Ethernet/PROFINET – Passive network components
(<https://support.industry.siemens.com/cs/ww/en/view/84922825>)

Pulse-shaped disturbance

The following table shows the electromagnetic compatibility of modules with regard to pulse-shaped interference. The precondition for electromagnetic compatibility is that the HMI device meets the specifications and guidelines for electrical installation.

Pulse-shaped interference	Tested with	Corresponds to Test level
Electrostatic discharge in accordance with IEC 61000-4-2	Air discharge: 8 kV	3
	Contact discharge: 6 kV (built-in units on the front, PRO devices all-around)	
	Contact discharge: 4 kV (built-in units on the rear side)	2
Bursts (high-speed transient disturbance variable) in accordance with IEC 61000-4-4	2 kV supply line 1 kV signal line, < 30 m	3
	2 kV signal line, > 30 m	4
Powerful single pulse (surge) according to IEC 61000-4-5	Asymmetric coupling (line to ground):	
	• 1 kV supply line, direct voltage	2
	• 2 kV signal line/data cable, > 30 m	3
	Symmetrical coupling (line to line):	
	• 0.5 kV supply line, direct voltage	2
	• 1 kV signal line, > 30 m	3

Sinusoidal interference

The following table shows the EMC behavior of the modules with respect to sinusoidal interference. This requires the HMI device to meet the specifications and directives for electrical installation.

Sinusoidal interference	Test values
HF radiation (electromagnetic fields) according to IEC 61000-4-3	80% amplitude modulation at 1 kHz <ul style="list-style-type: none"> on 10 V/m in the range of 80 MHz to 1 GHz on 3 V/m in the range of 1.4 to 6 GHz
HF current feed on cables and cable shields according to IEC 61000-4-6	Test voltage 10 V at 80% amplitude modulation of 1 kHz in the range from 150 kHz to 80 MHz
Magnetic field strength according to IEC 61000-4-8	50/60 Hz; 30 A/m RMS

Emission of radio interference

The following table shows the interference emissions from electromagnetic fields in accordance with EN/IEC 61000-6-4, measured at the following distance.

Radiated emission (interference emission)

Frequency range	Measuring distance	Interference emission
30 to 230 MHz	10 m	< 40 dB ($\mu\text{V}/\text{m}$) quasi-peak
230 to 1000 MHz	10 m	< 47 dB ($\mu\text{V}/\text{m}$) quasi-peak
1 to 3 GHz	3 m	< 76 dB peak and < 56 dB average
3 to 6 GHz	3 m	< 80 dB peak and < 60 dB average

Emission of radio interference voltages

Frequency range	Interference emission
0.150 to 0.5 MHz	< 89 dB quasi peak and < 76 dB average
0.5 to 30 MHz	< 83 dB quasi peak and < 70 dB average

See also

EMC information in section "Notes about usage (Page 36)".

8.3 Mechanical environmental conditions

8.3.1 Storage conditions

The following information is for a device that is transported and stored in its original packaging.

Type of condition	Permitted range
Free fall	≤ 0.3 m
Vibration according to IEC 60068-2-6	5 .. 8.4 Hz, deflection 3.5 mm 8.4 ... 500 Hz, acceleration 1 g
Shock according to IEC 60068-2-27	250 m/s ² , 6 ms, 1000 shocks

8.3.2 Operating conditions

The following information applies to a device installed according to the specifications in these operating instructions.

Built-in units

Type of condition	Permitted range
Vibration according to IEC 60068-2-6	5 ... 8.4 Hz, deflection 3.5 mm 8.4 ... 200 Hz, acceleration 1 g
Shock according to IEC 60068-2-27	150 m/s ² , 11 ms, 3 shocks

Shock pulses within the specified range can be transferred to the display but do not impact the functionality of the device.

PRO devices

Type of condition	Permitted range
Vibration according to IEC 60068-2-6	10 ... 58 Hz, deflection 0.0375 mm 58 ... 200 Hz, acceleration 0.5 g
Shock according to IEC 60068-2-27	150 m/s ² , 11 ms, 3 shocks

Shock pulses within the specified range can be transferred to the display but do not impact the functionality of the device.

8.4 Climatic ambient conditions

8.4.1 Long-term storage

The following information applies to a device that is stored in its original packaging for longer than two weeks.

The device meets the requirements of IEC 60721-3-1:2018 Class 1K21.

8.4.2 Transport and short-term storage

The following information applies to a device that is transported in the original packaging and weather-proof packaging, and stored from some time.

The device was tested according to IEC 60721-3-2:2018 Class 2K11 with the following amendments and limitations:

Type of condition	Permitted range
Temperature	-20 ... 60 °C
Atmospheric pressure	1140 ... 660 hPa, corresponds to an elevation of -1000 to 3500 m
Relative humidity	10 ... 90 %
Pollutant concentration	In accordance with ANSI/ISA-71.04-2013 severity level G3

Note

If dewing has developed, wait until the HMI device has dried completely before switching it on.

Do not expose the HMI device to direct radiation from a heater.

8.4.3 Operating Conditions

The following information applies to a device installed according to the specifications in these operating instructions.

The HMI device is designed for weatherproof and stationary operation according to IEC 60721-3-3.

The device has been tested according to IEC 60721-3-3:2019 Class 3K22 with the following additions and limitations:

Type of condition	Mounting position	ITC1200/1500	ITC1900/2200/2400
Temperature Built-in units , Mounting in landscape format	Vertical	0 ... 50 °C	0 ... 45 °C
	Inclined, maximum inclination 35°	0 ... 40 °C	
Temperature Built-in units , Mounting in portrait format	Vertical	0 ... 40 °C	
	Inclined, maximum inclination 35°	0 ... 35 °C	
Temperature PRO devices ¹	vertical	0 ... 45 °C	
	inclined, incline max. 35°	0 ... 40 °C	
Air pressure, operating elevation	1140 ... 795 hPa, corresponds to an elevation of -1000 to 2000 m		
Relative humidity	10 ... 90 %, no condensation ²		
Pollutant concentration	In accordance with ANSI/ISA-71.04-2013 severity level G3		

¹ For PRO devices, mounting is only permitted in the standard mounting position

² Built-in units: no condensation on the back of the device,
PRO devices: no condensation inside the enclosure

Read the information in the section "Notes on use (Page 36)" and the information about the mounting positions:

- Permitted mounting positions for built-in units (Page 40)
- Permitted mounting positions for PRO devices (Page 44)

Note

The system components connected to the HMI device, the power supply for example, must also be suited to the respective operating conditions.

8.5 Information on insulation tests, protection class and degree of protection

Insulation test

The insulation resistance is verified by type testing with the following test voltages:

Circuit	Insulation tested with (type test)
Rated voltage U_e 24 V	707 V DC to other circuits / to ground
Ethernet connector	2250 V DC

Degree of pollution

The device meets the following requirements according to IEC 61010-2-201:

Device type	Built-in unit	PRO device	Degree of pollution
Devices without ATEX approval	Front	Outside	Not applicable because IP65
	Rear	Inside	2
Devices with ATEX approval	Front and rear	Outside and inside	2

Overvoltage category

Overvoltage category II in accordance with IEC 61010-2-201.

Protection class

Protection class III according to IEC 61010-2-201.

Protection from foreign objects and water

The device meets the requirements of IEC 60529 and UL50E.

Device side	Degree of protection
Front	When mounted: <ul style="list-style-type: none"> IP65 according to IEC 60529 Enclosure Type 4X/12 (indoor use only, front face only) according to UL50E
Rear panel	IP20 Protection against contact with standard test probes. There is no protection against the ingress of water, dust and noxious gas.

The front protection rating can only be guaranteed if the mounting seal lies flush against the mounting cutout. Read the corresponding information in section "Preparing the mounting cutout (Page 42)".

Protection from foreign objects and water PRO devices

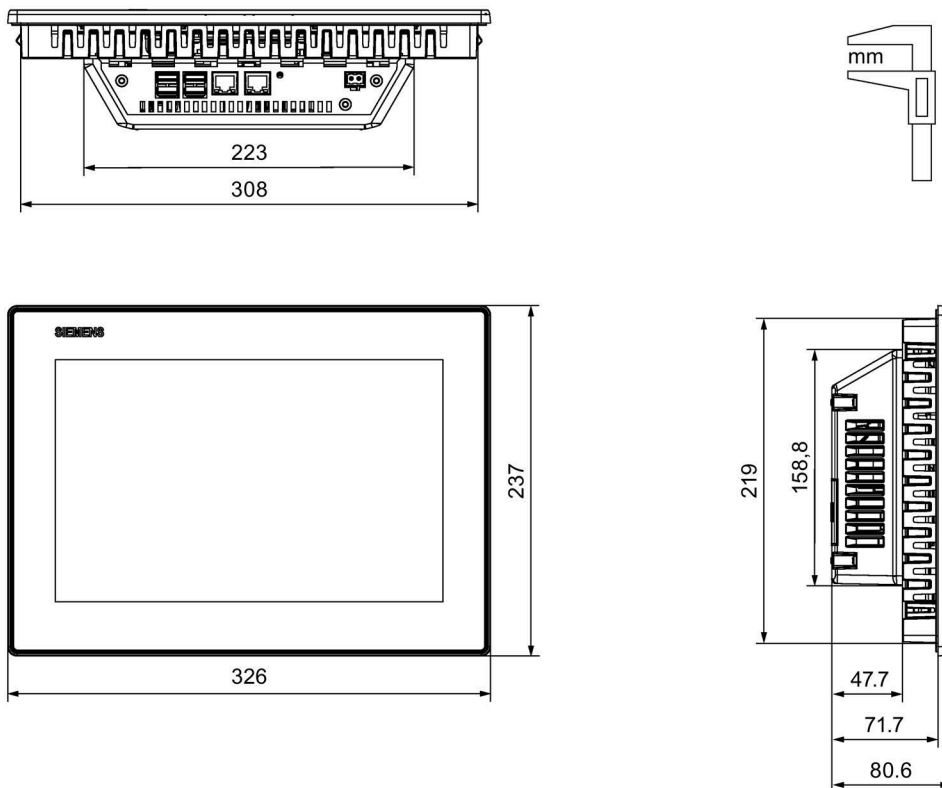
The device meets the requirements of IEC 60529 and UL50E.

Device side	Degree of protection
Fully enclosed	<ul style="list-style-type: none"> • IP65 according to IEC 60529 • Enclosure Type 4X/12 (indoor use only) according to UL50E

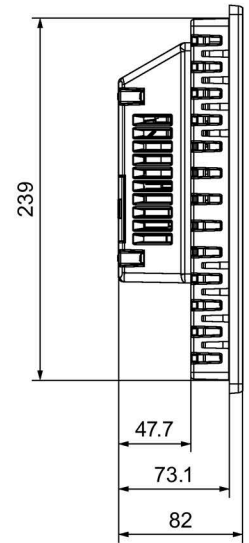
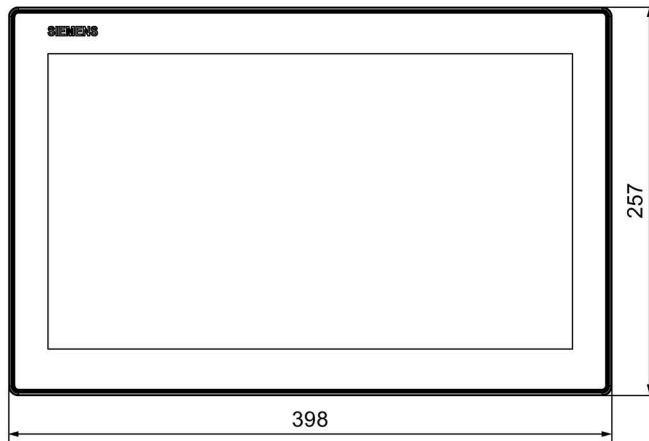
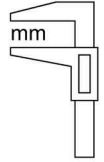
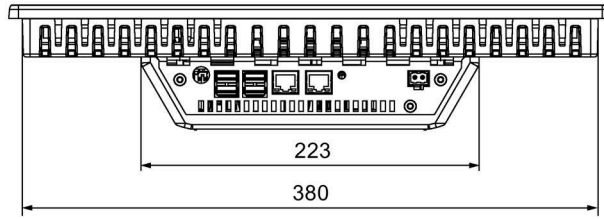
The types of protection can only be ensured if the seals are completely in contact with all mechanical interfaces and the connection compartment and the associated covers are closed.

8.6 Dimensional drawings

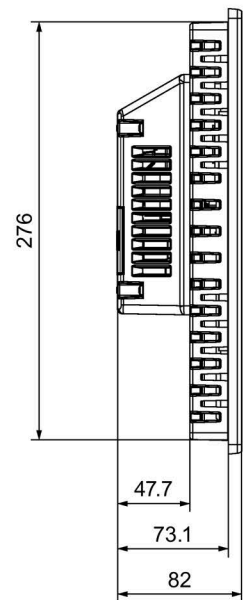
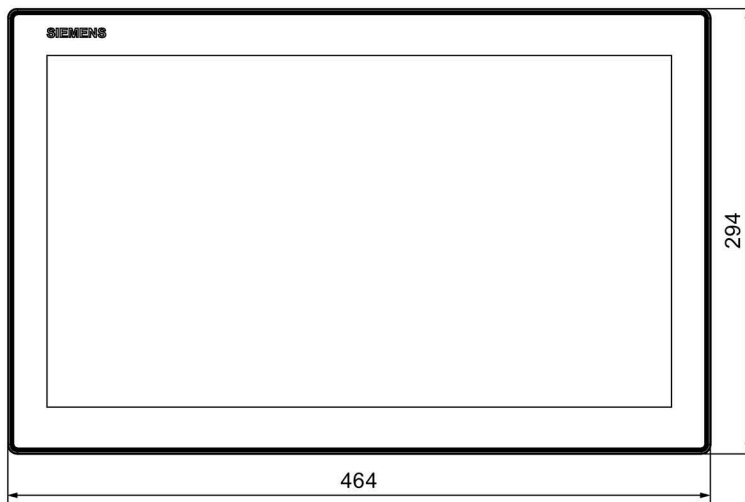
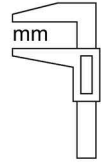
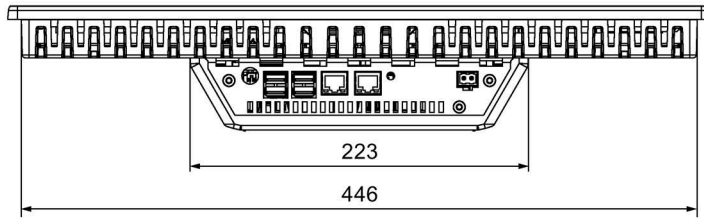
8.6.1 ITC1200 V3



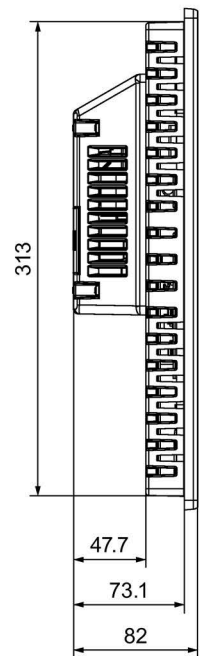
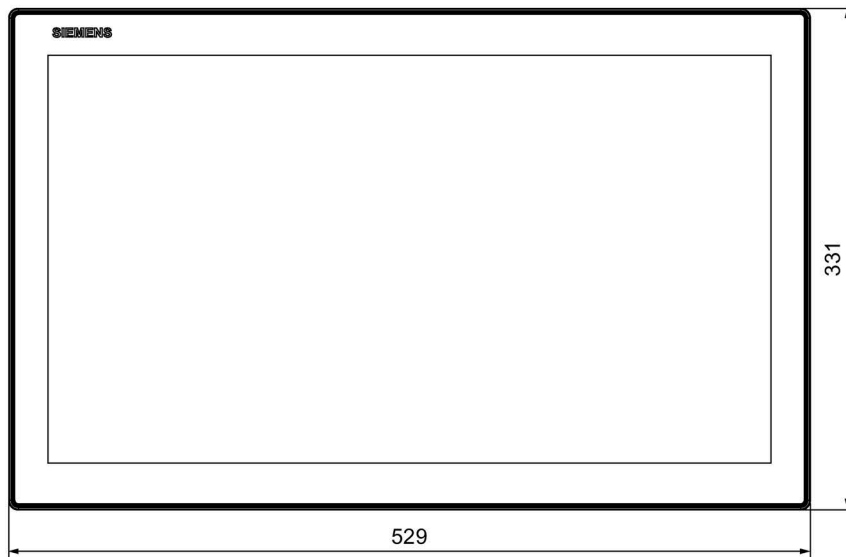
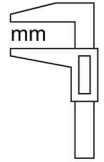
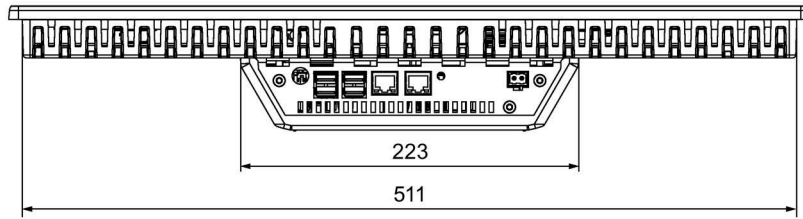
8.6.2 ITC1500 V3



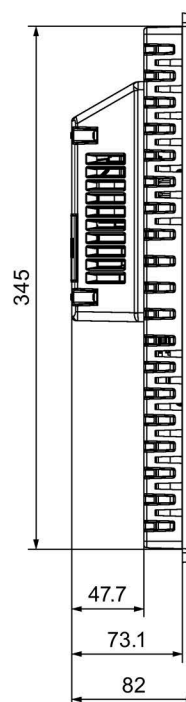
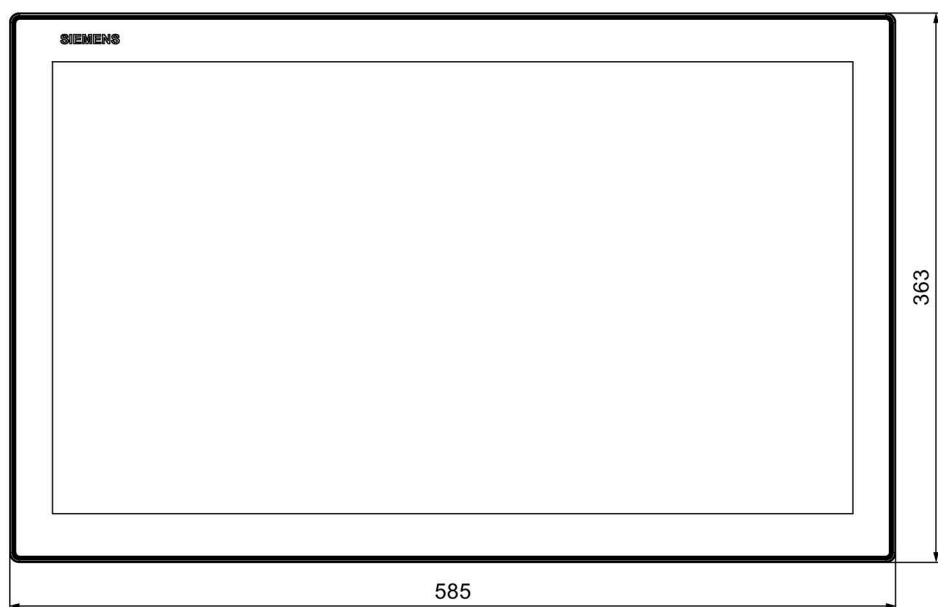
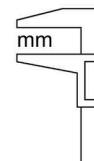
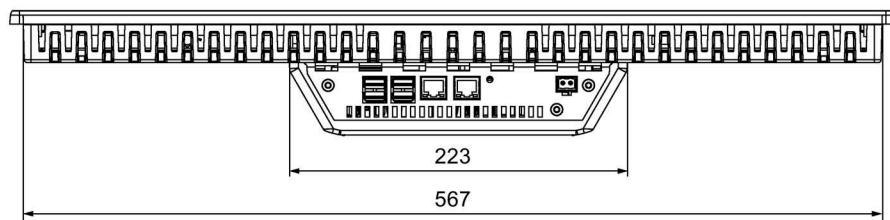
8.6.3 ITC1900 V3



8.6.4 ITC2200 V3

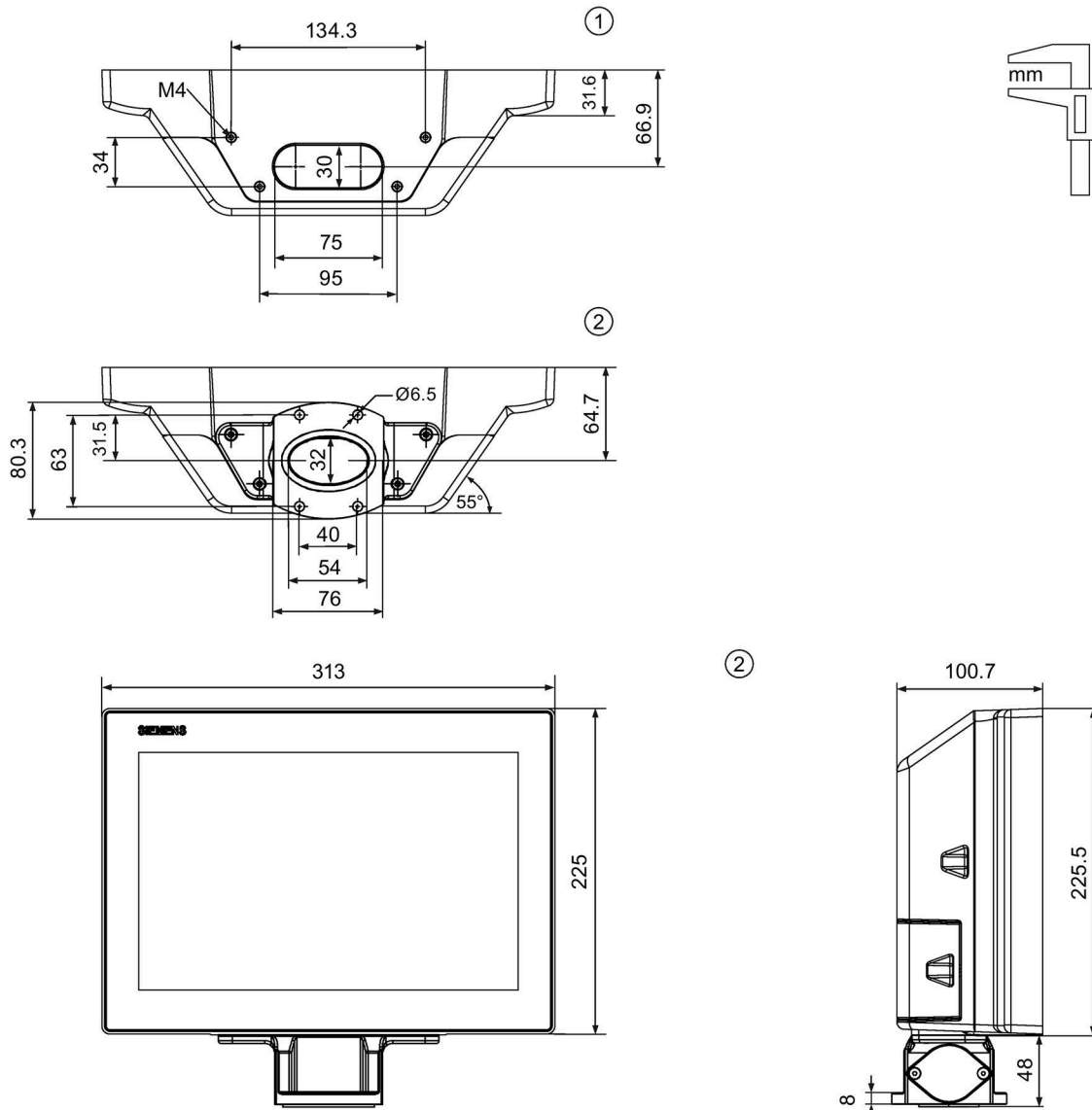


8.6.5 ITC2400 V3



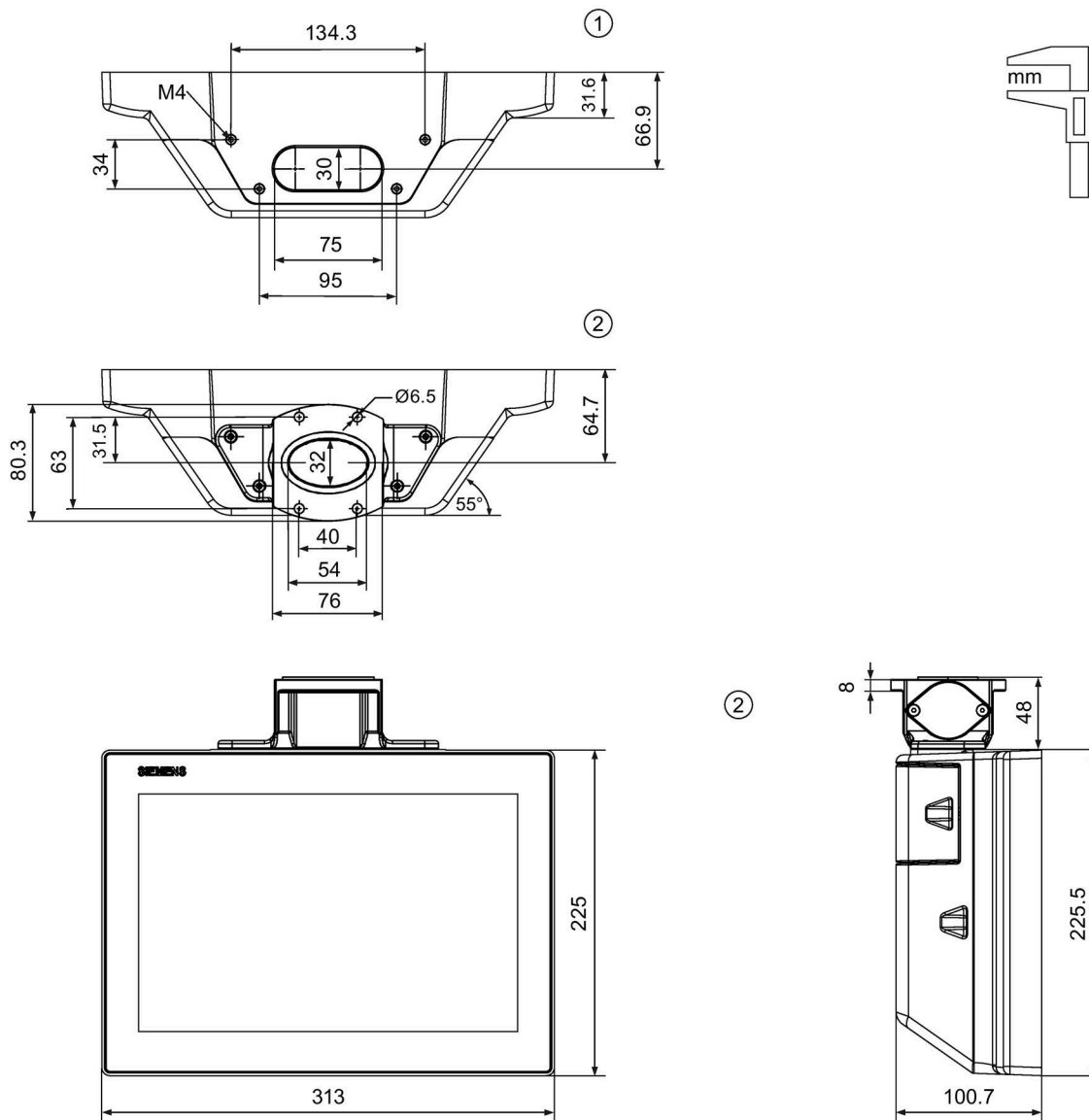
8.6.6 ITC1200 V3 PRO

ITC1200 V3 PRO for pedestal (extendable, flange bottom)



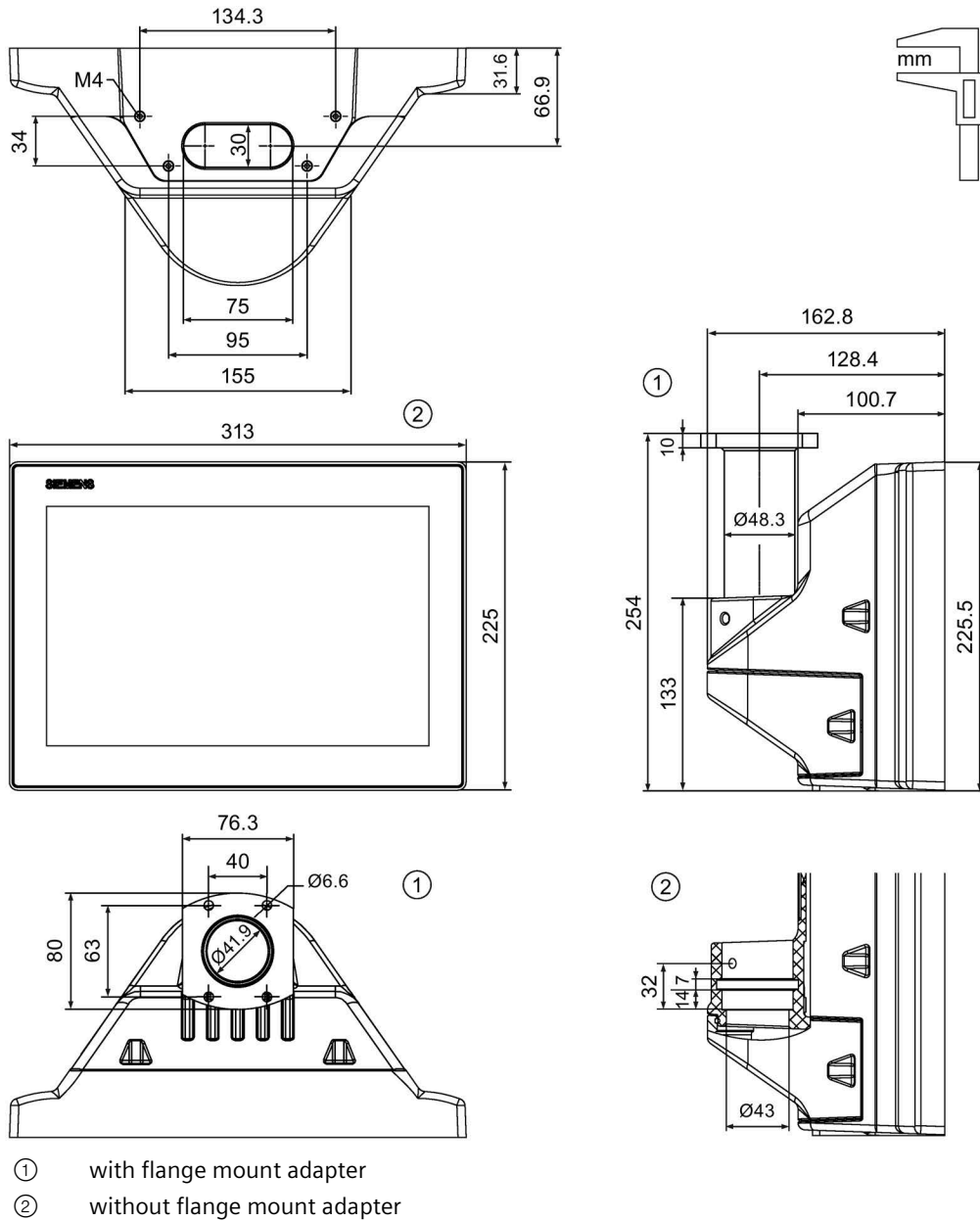
- ① Without base adapter
- ② With base adapter

ITC1200 V3 PRO for support arm (not extendable, flange top)



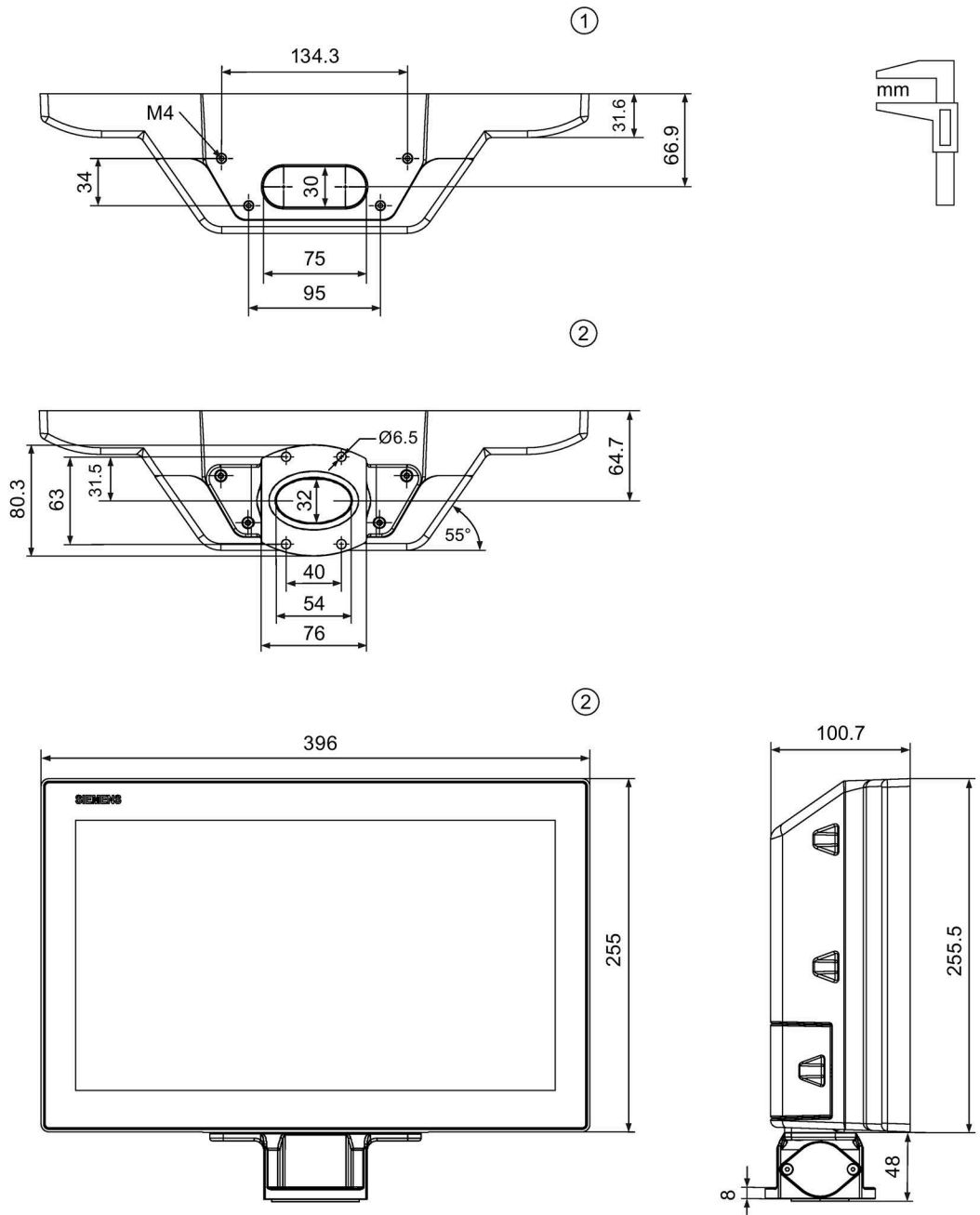
- ① Without base adapter
- ② With base adapter

ITC1200 V3 PRO for support arm (extendable, round tube)



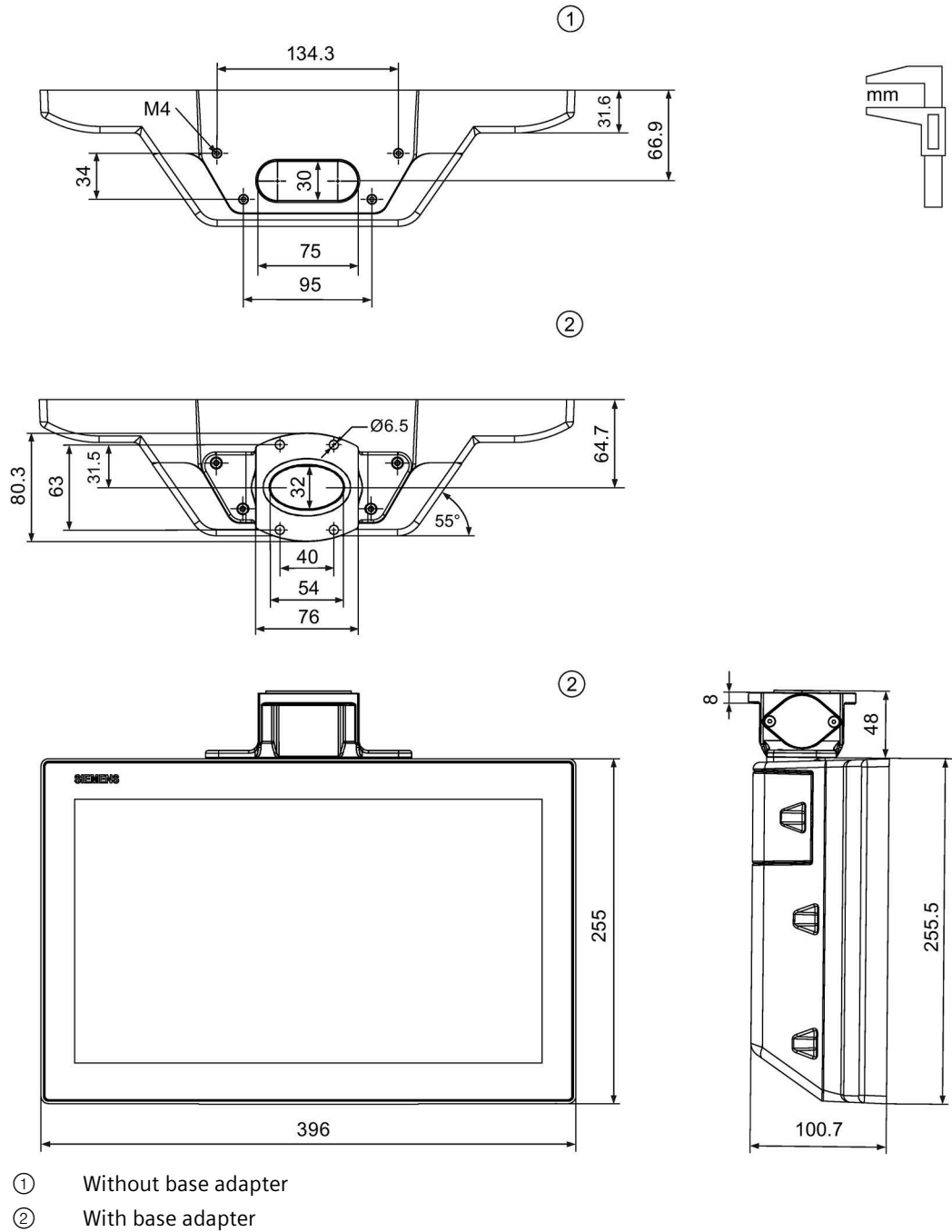
8.6.7 ITC1500 V3 PRO

ITC1500 V3 PRO for pedestal (extendable, flange bottom)

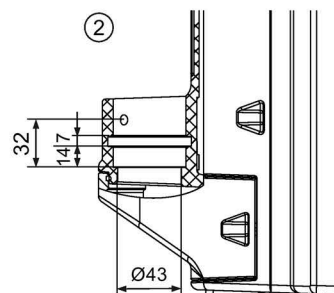
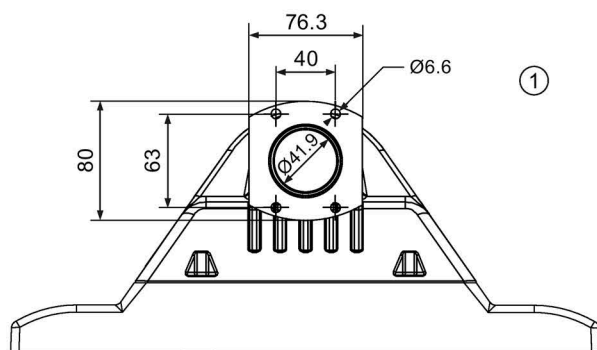
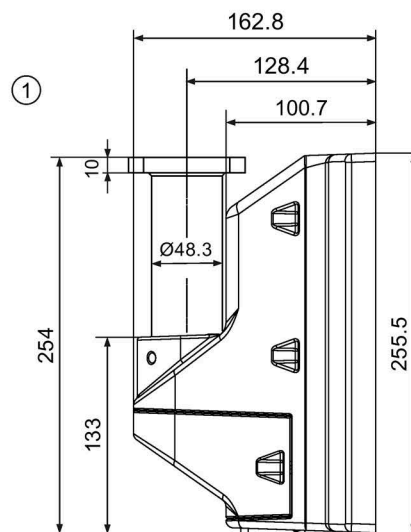
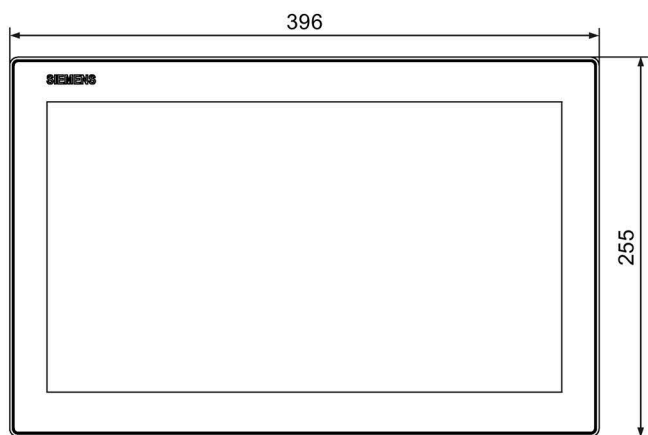
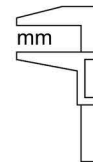
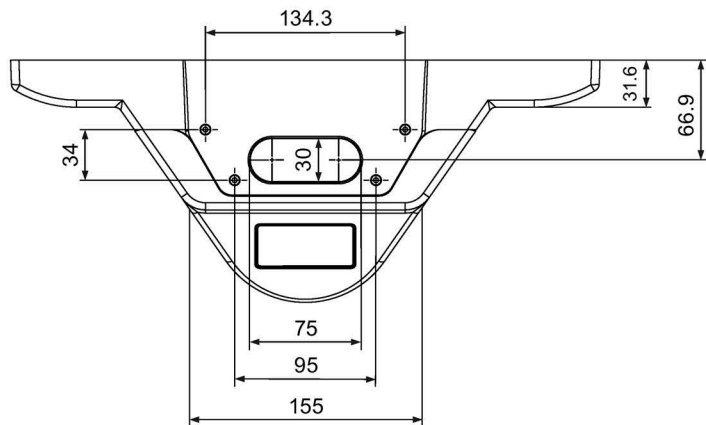


- ① Without base adapter
- ② With base adapter

ITC1500 V3 PRO for support arm (not extendable, flange top)



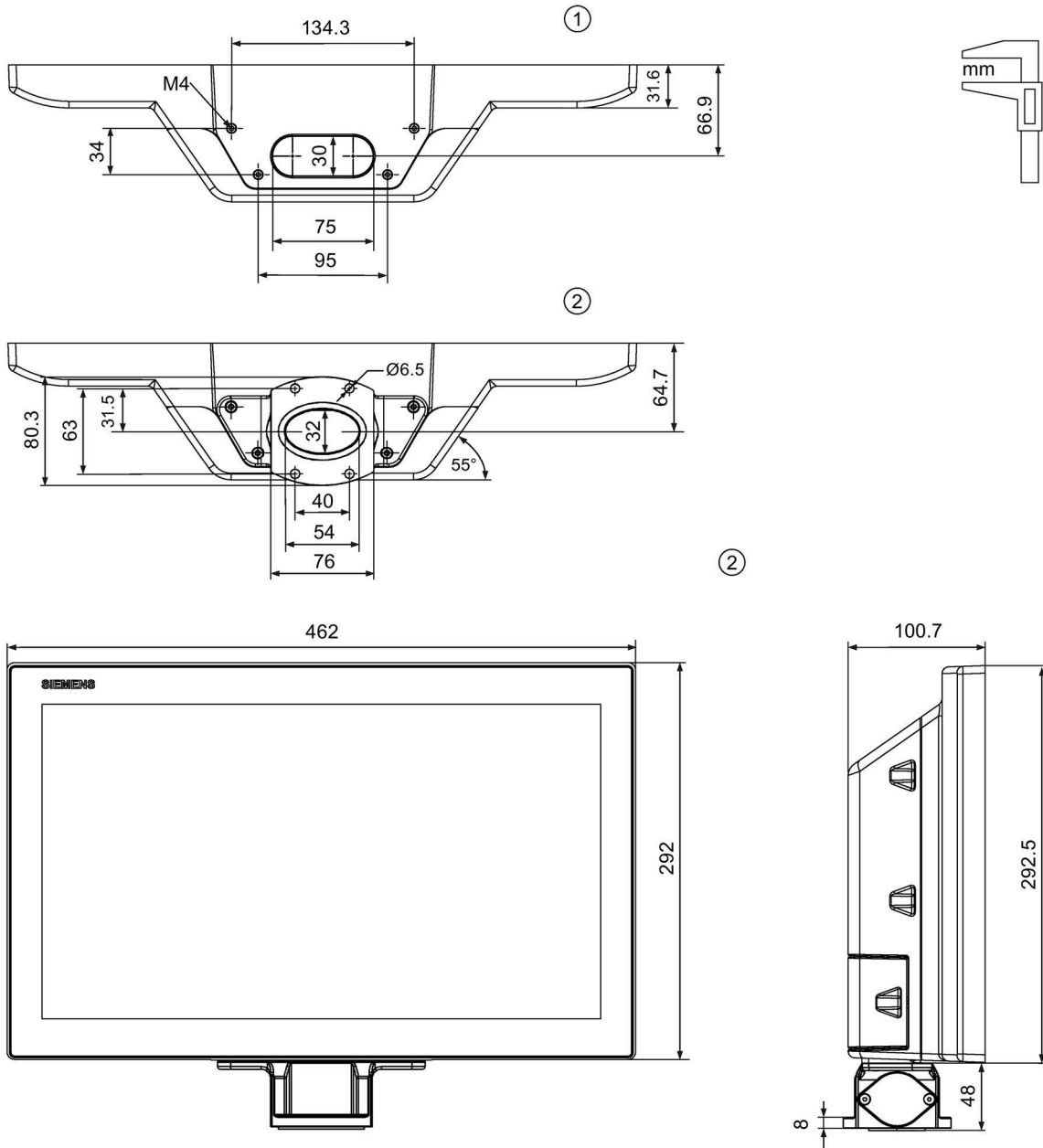
ITC1500 V3 PRO for support arm (extendable, round tube)



- ① with flange mount adapter
- ② without flange mount adapter

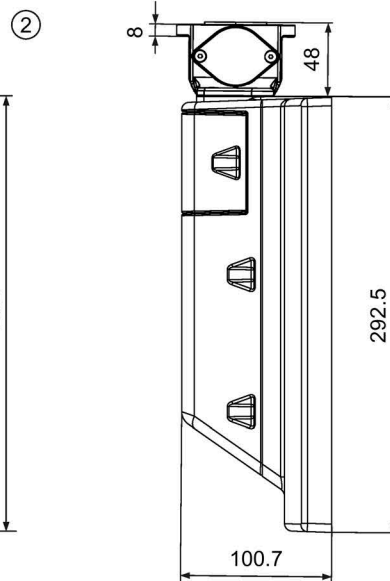
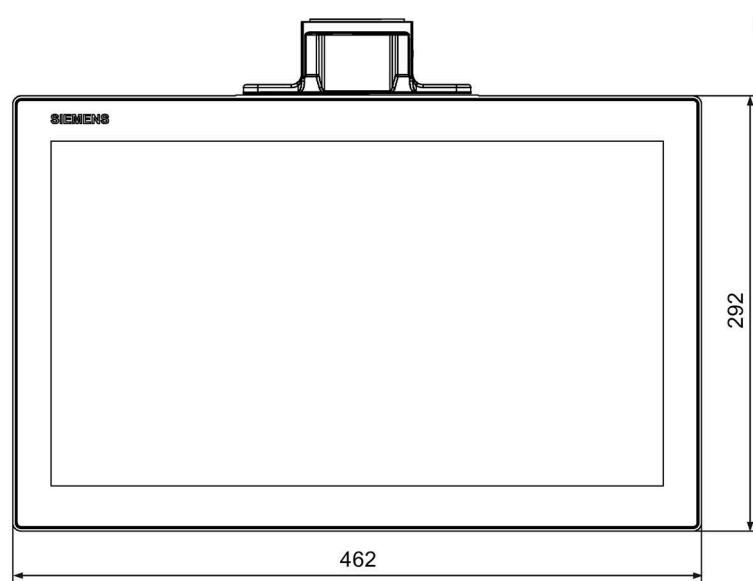
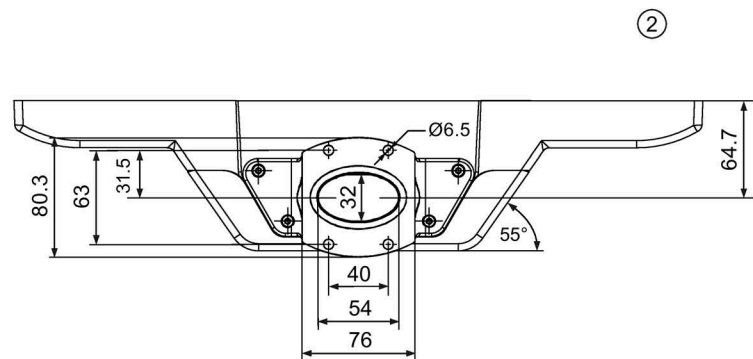
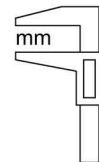
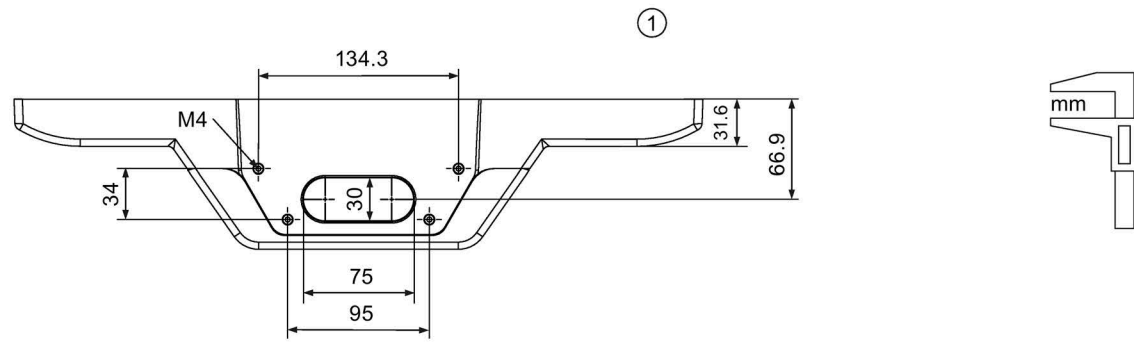
8.6.8 ITC1900 V3 PRO

ITC1900 V3 PRO for pedestal (extendable, flange bottom)



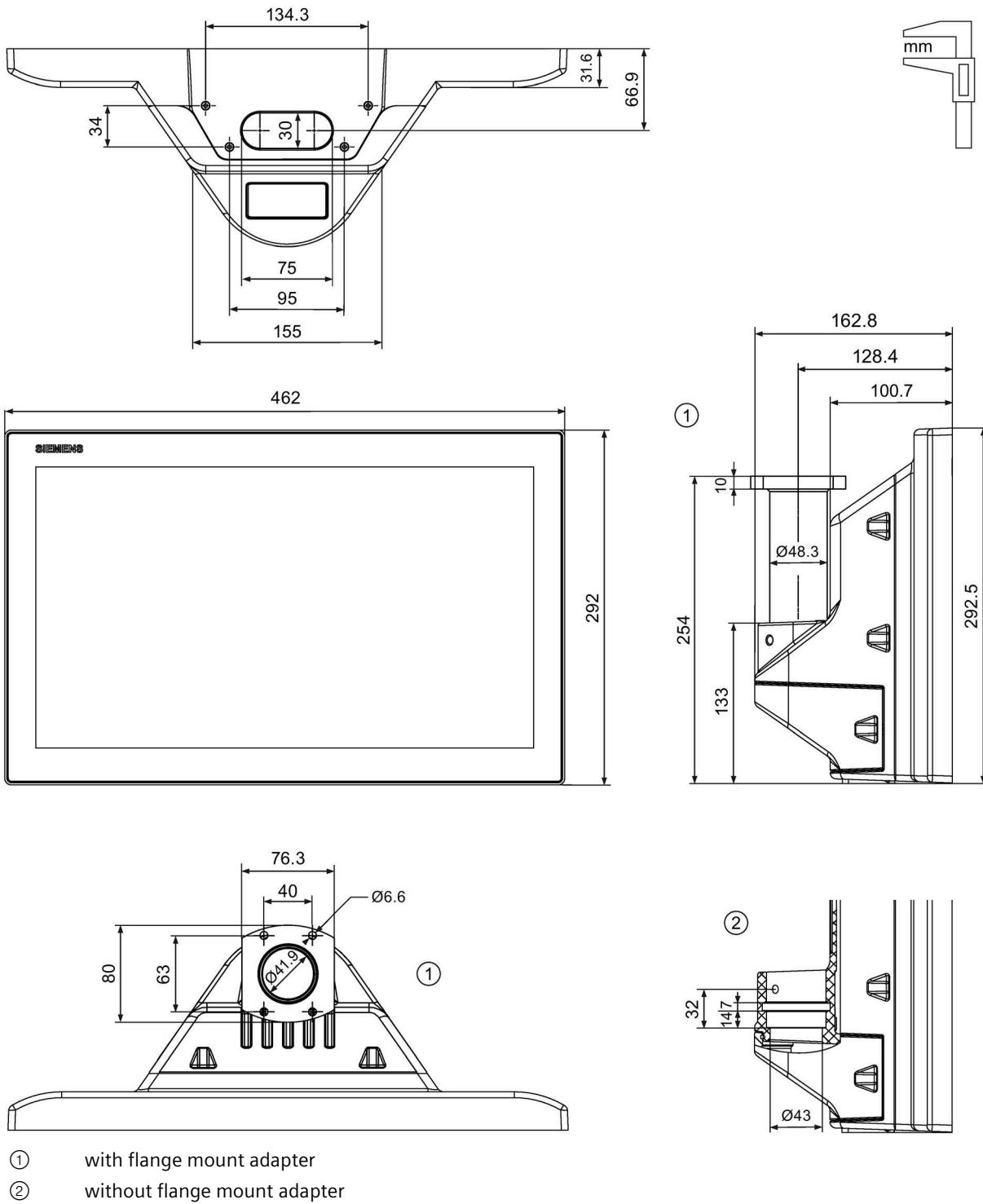
- ① Without base adapter
- ② With base adapter

ITC1900 V3 PRO for support arm (not extendable, flange top)



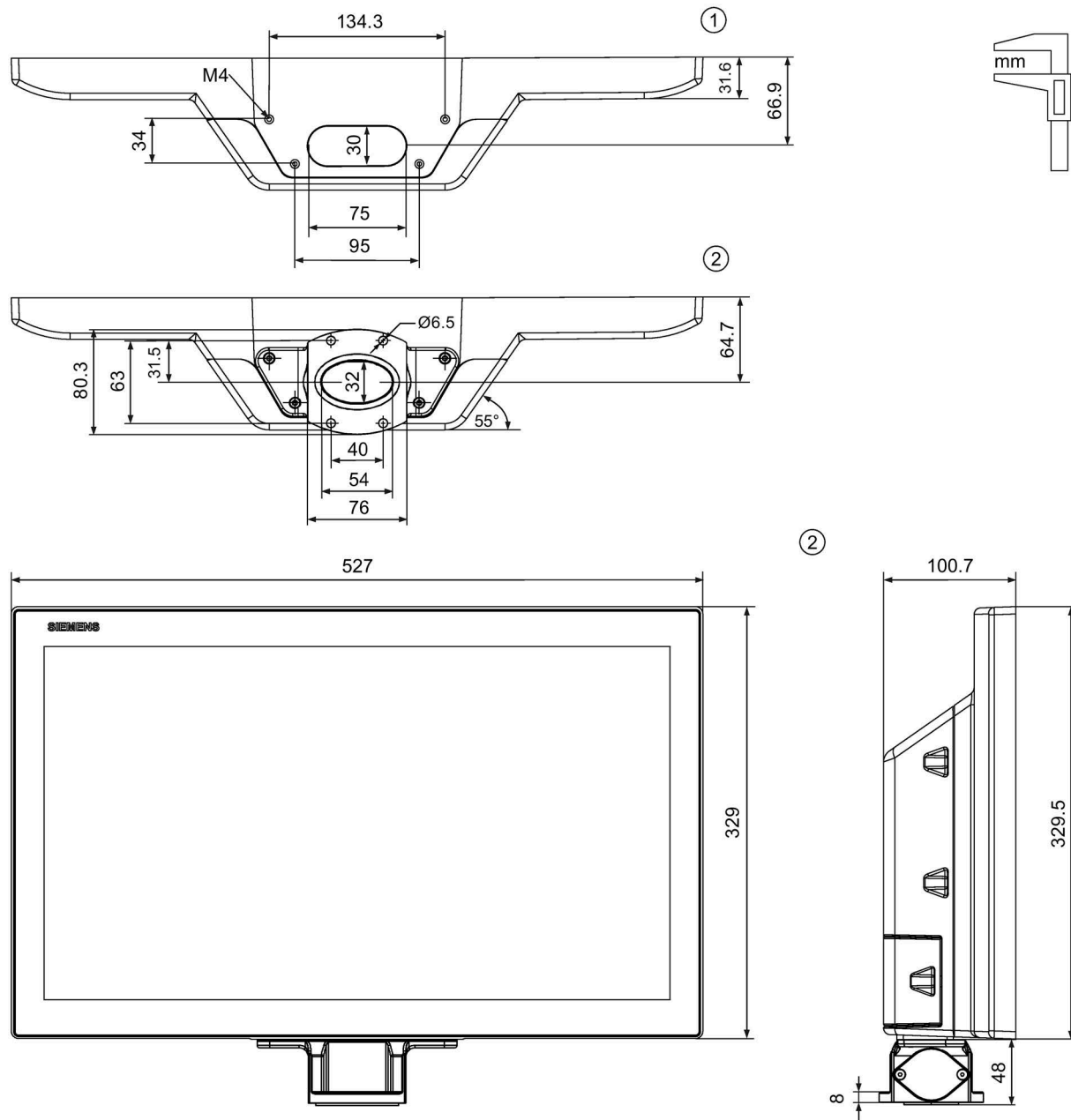
- ① Without base adapter
- ② With base adapter

ITC1900 V3 PRO for support arm (extendable, round tube)



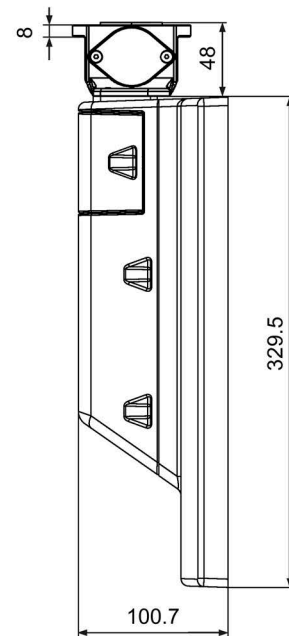
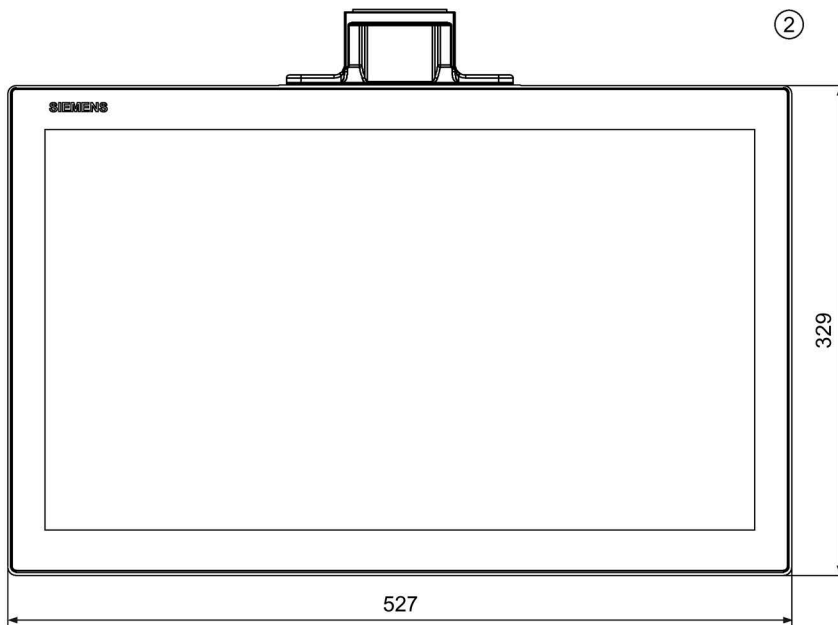
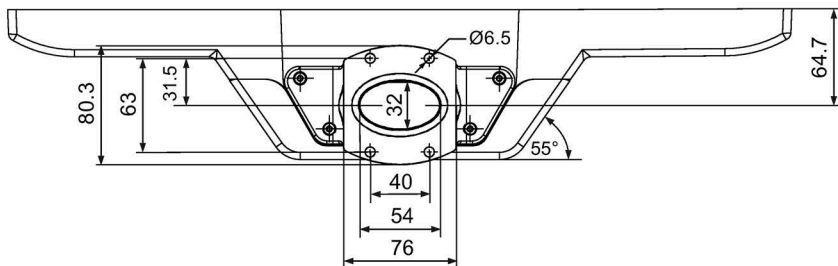
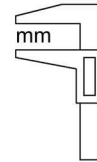
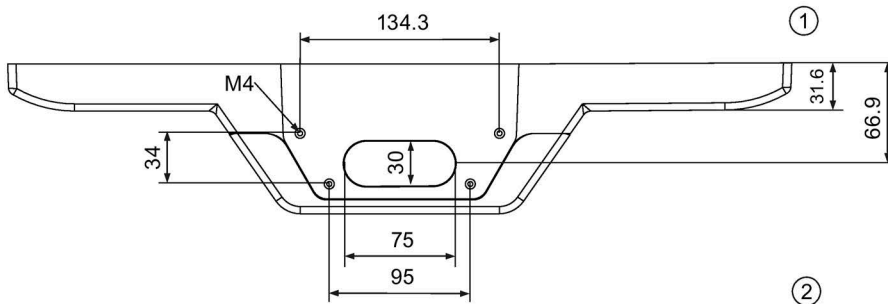
8.6.9 ITC2200 V3 PRO

ITC2200 V3 PRO for pedestal (extendable, flange bottom)



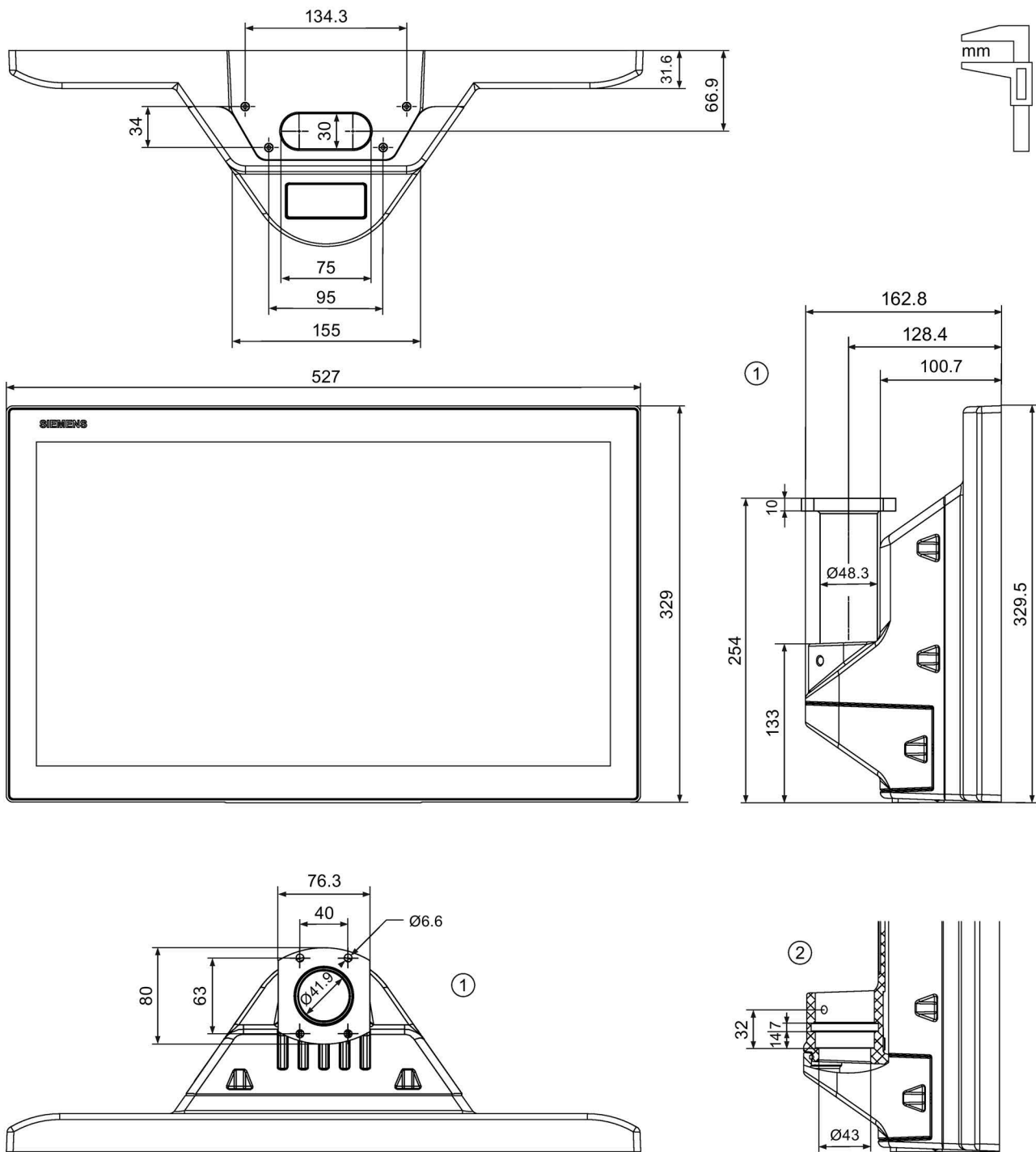
- ① Without base adapter
- ② With base adapter

ITC2200 V3 PRO for support arm (not extendable, flange top)



- ① Without base adapter
- ② With base adapter

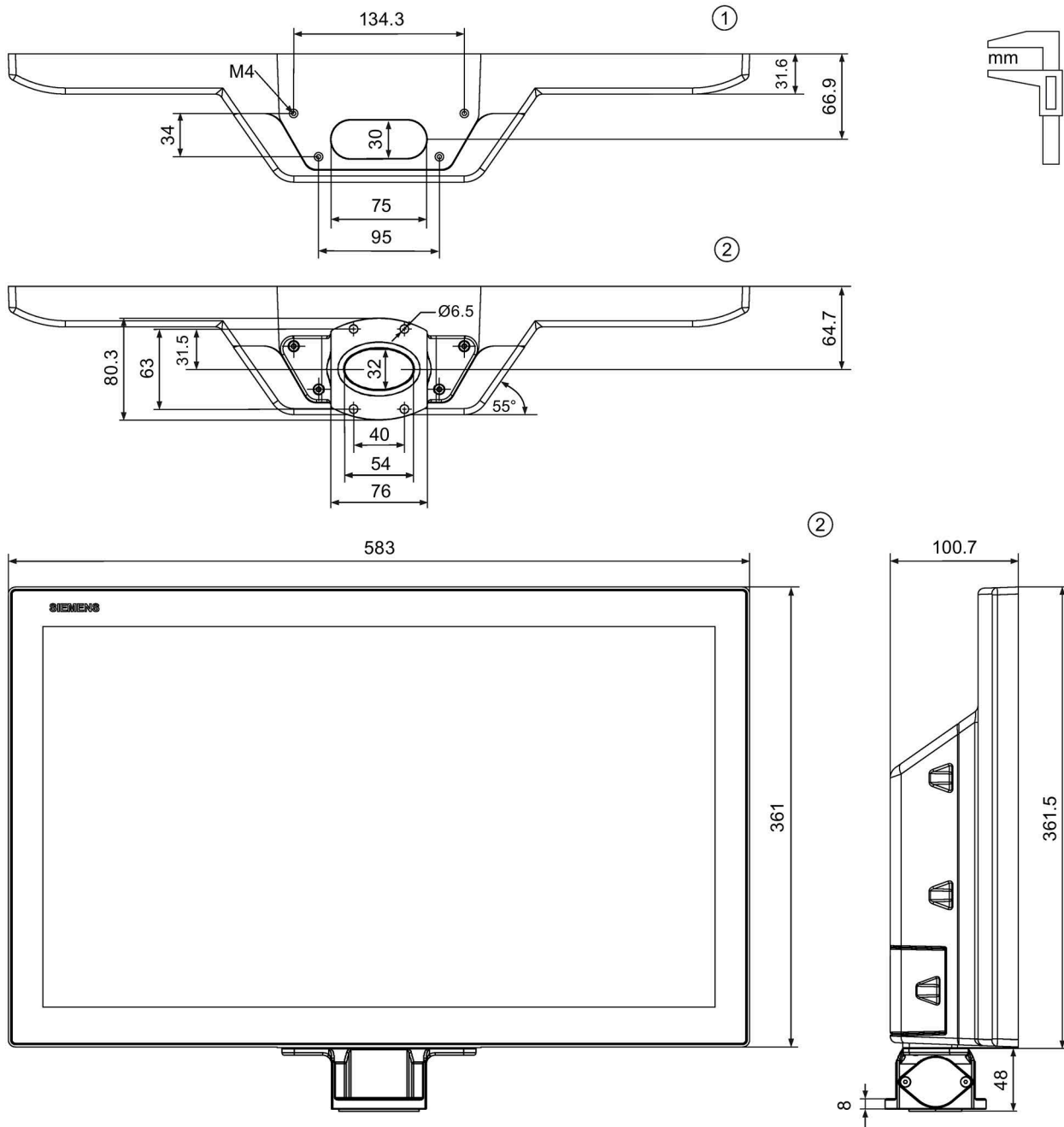
ITC2200 V3 PRO for support arm (extendable, round tube)



- ① with flange mount adapter
- ② without flange mount adapter

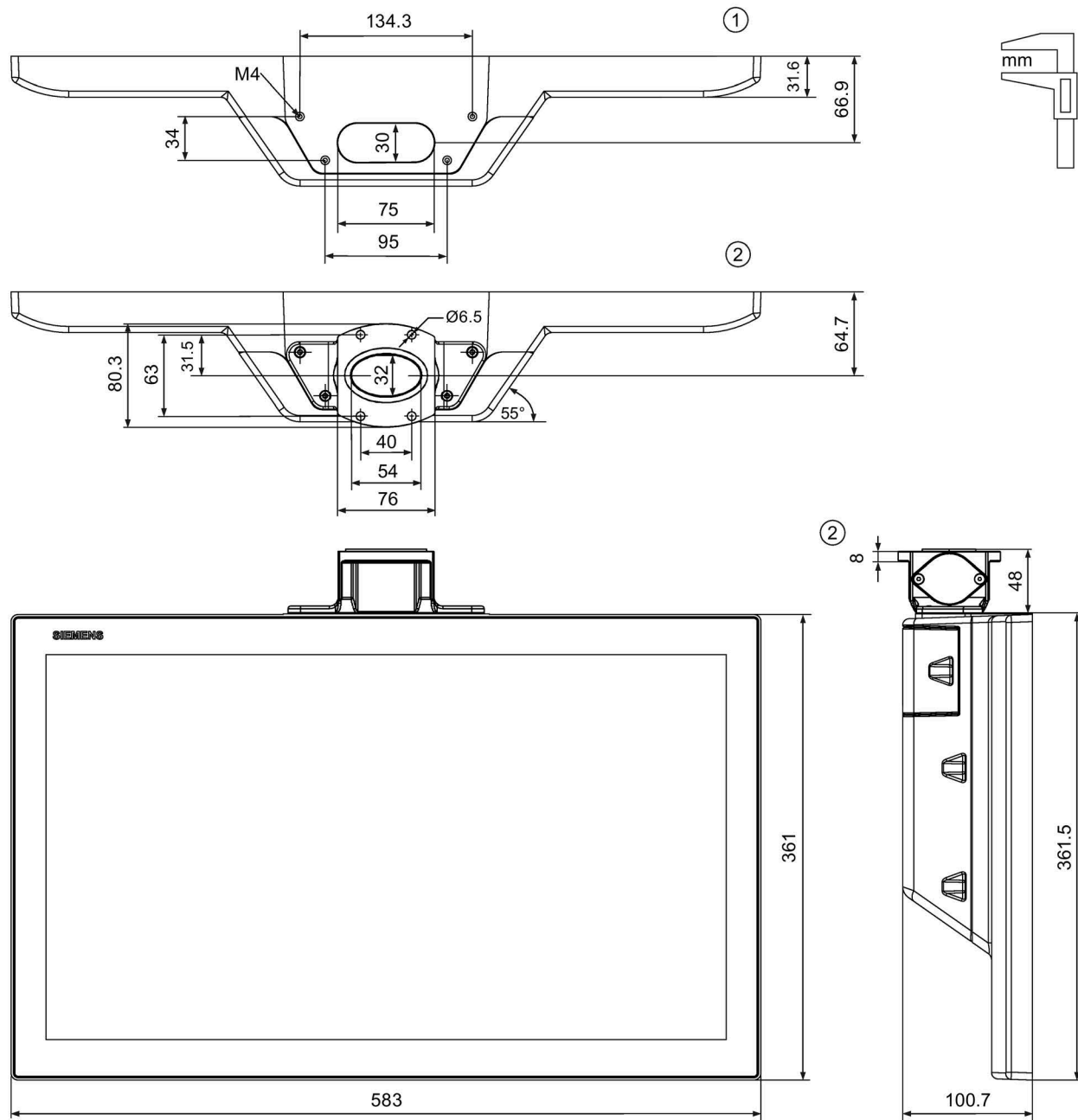
8.6.10 ITC2400 V3 PRO

ITC2400 V3 PRO for pedestal (extendable, flange bottom)



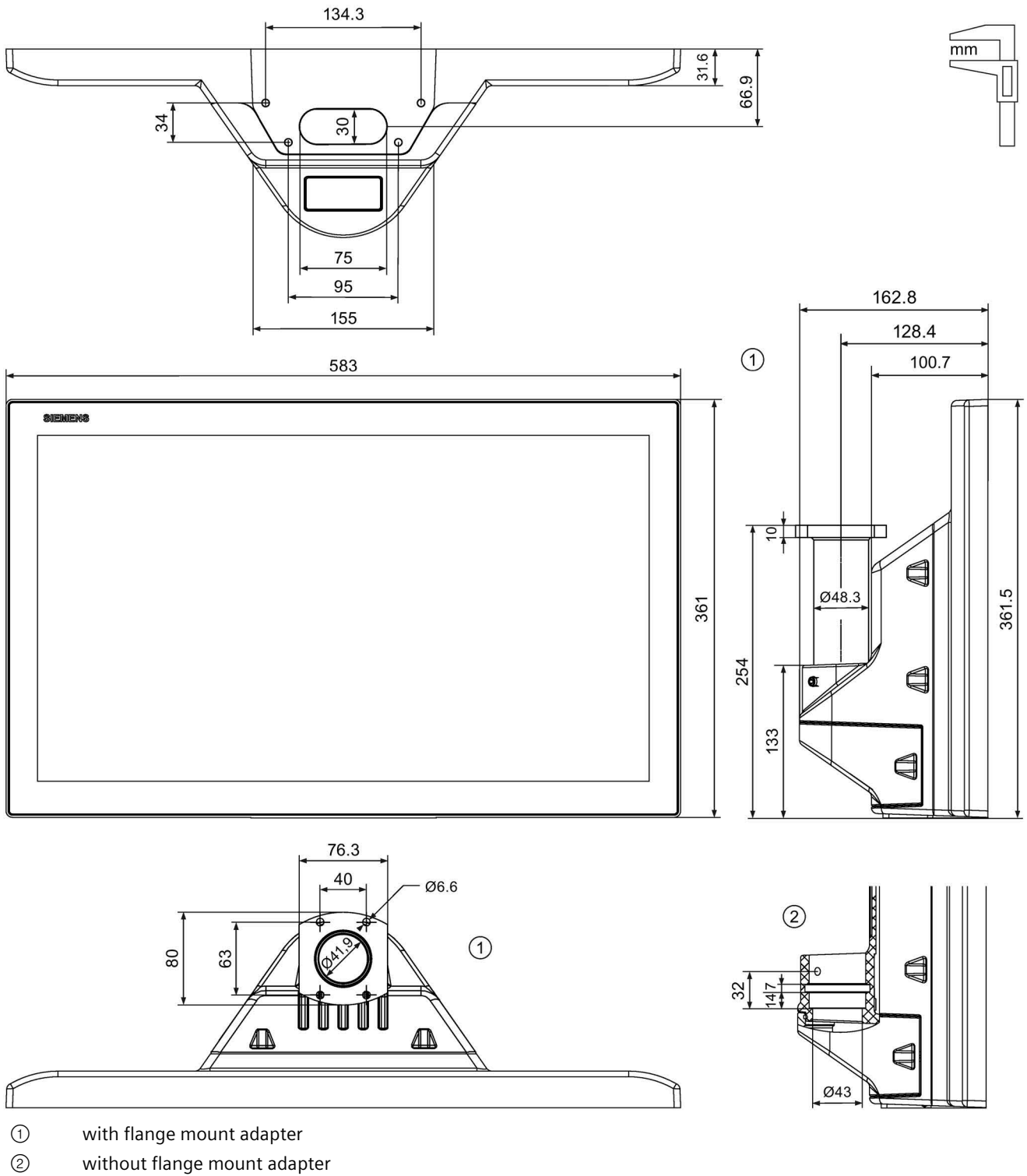
- ① Without base adapter
- ② With base adapter

ITC2400 V3 PRO for support arm (not extendable, flange top)



- ① Without base adapter
- ② With base adapter

ITC2400 V3 PRO for support arm (extendable, round tube)



- ① with flange mount adapter
- ② without flange mount adapter

8.7 Technical specifications

8.7.1 ITC1200/1500 V3 (PRO)

Weight

	ITC1200 V3	ITC1500 V3
Weight without packaging, with power supply plug, mounting clips and strain relief plate	3.7 kg	5.0 kg

Weight of PRO devices for support arm (not extendable, flange top) and for pedestal (extendable, flange bottom)

	ITC1200 V3 PRO	ITC1500 V3 PRO
Weight without packaging	5.0 kg	6.3 kg

Weight of PRO devices for support arm (extendable, round tube)

	ITC1200 V3 PRO	ITC1500 V3 PRO
Weight without packaging	4.9 kg	6.2 kg

Display

	ITC1200 V3 (PRO)	ITC1500 V3 (PRO)
Type	LCD TFT	
Display diagonal	12.1"	15.6"
Active display area	261 x 163 mm	344.2 x 193.5 mm
Resolution HD devices	1280 x 800 pixels	1366 x 768 pixels
Resolution Full HD devices	-	1920 x 1080 pixels
Possible colors	Up to 16 million	
Brightness control	Yes, value range 1 to 100	
Backlighting	LED	
Half Brightness Life time (MTBF 1)	50000 h	
Pixel error class in accordance with ISO 9241-307	I	

¹ MTBF: Operating hours after which the maximum brightness is reduced by half compared to the original value. The MTBF increases with reduced brightness or with the use of a screen saver on the server.

Input device

	ITC1200 V3 (PRO)	ITC1500 V3 (PRO)
Touch screen	Yes, projective-capacitive	

Memory

	ITC1200 V3 (PRO)	ITC1500 V3 (PRO)
RAM	2 GB DDR3 SDRAM	
Memory	8 GB SSD	

Interfaces

	ITC1200 V3 (PRO)	ITC1500 V3 (PRO)
X1 P1 PROFINET (LAN)	1 x RJ45 Gigabit Ethernet, 10/100/1000 Mbps ¹	
X1 P2 LAN	1 x RJ45 Gigabit Ethernet, 10/100/1000 Mbps ¹	
X61 ... X64 USB 2.0	4 x Host ²	

¹ With integrated switch (one IP address only), switch functionality only via LAN

² USB type A, maximum load 500 mA, equivalent to USB standard 2.0

Power supply

	ITC1200 V3 (PRO)	ITC1500 V3 (PRO)
Rated voltage	24 V DC	
Permitted voltage range	+19.2 V to +28.8 V	
Voltage failure buffering time	20 ms, complies with PS2 according to IEC 61131-2	
Rated current	1.3 A	1.8 A
Rated current (min. ... max.), load-dependent	1.1 ... 1.6 A	1.5 ... 2.2 A
Inrush current I ² t	0.5 A ² s	
Power consumption ¹	31.2 W	43.2 W
Maximum permitted transient	35 V (500 ms)	
Minimum time between two transients	50 s	
Internal protection	Yes	

¹ The power loss generally corresponds to the specified value for power consumption.

Miscellaneous

	ITC1200 V3 (PRO)	ITC1500 V3 (PRO)
Audio reproduction	Via onboard beeper	

8.7.2 ITC1900/2200/2400 V3 (PRO)

Weight

	ITC1900 V3	ITC2200 V3	ITC2400 V3
Weight without packaging, with power supply plug, mounting clips and strain relief plate	6.1 kg	7.2 kg	8.7 kg

Weight of PRO devices for support arm (not extendable, flange top) and for pedestal (extendable, flange bottom)

	ITC1900 V3 PRO	ITC2200 V3 PRO	ITC2400 V3 PRO
Weight without packaging	7.4 kg	8.5 kg	10.1 kg

Weight of PRO devices for support arm (extendable, round tube)

	ITC1900 V3 PRO	ITC2200 V3 PRO	ITC2400 V3 PRO
Weight without packaging	7.2 kg	8.1 kg	10.0 kg

Display

	ITC1900 V3 (PRO)	ITC2200 V3 (PRO)	ITC2400 V3 (PRO)
Type	LCD TFT		
Display diagonal	18.5"	21.5"	23.8"
Active display area	409.0 x 230.0 mm	476.0 x 267.8 mm	527.0 x 296.5 mm
Resolution HD devices	1366 x 768 pixels	-	-
Resolution Full HD devices	1920 x 1080 pixels	1920 x 1080 pixels	1920 x 1080 pixels
Possible colors	Up to 16 million		
Brightness control	Yes, value range 1 to 100		
Backlighting	LED		
Half Brightness Life time (MTBF 1)	50000 h	30000 h	30000 h
Pixel error class in accordance with ISO 9241-307	I		

¹ MTBF: Operating hours after which the maximum brightness is reduced by half compared to the original value. The MTBF increases with reduced brightness or with the use of a screen saver on the server.

Input device

	ITC1900 V3 (PRO)	ITC2200 V3 (PRO)	ITC2400 V3 (PRO)
Touch screen	Yes, projective-capacitive		

Memory

	ITC1900 V3 (PRO)	ITC2200 V3 (PRO)	ITC2400 V3 (PRO)
RAM	2 GB DDR3 SDRAM		
Memory	8 GB SSD		

Interfaces

	ITC1900 V3 (PRO)	ITC2200 V3 (PRO)	ITC2400 V3 (PRO)
X1 P1 PROFINET (LAN)	1 x RJ45 Gigabit Ethernet, 10/100/1000 Mbps ¹		
X1 P2 LAN	1 x RJ45 Gigabit Ethernet, 10/100/1000 Mbps ¹		
X61 ... X64 USB 2.0	4 x Host ²		

¹ With integrated switch (one IP address only), switch functionality only via LAN

² USB type A, maximum load 500 mA, equivalent to USB standard 2.0

Power supply

	ITC1900 V3 (PRO)	ITC2200 V3 (PRO)	ITC2400 V3 (PRO)
Rated voltage	24 V DC		
Permitted voltage range	+19.2 V to +28.8 V		
Voltage failure buffering time	20 ms, complies with PS2 according to IEC 61131-2		
Rated current	1.8 A	1.7 A	2.1 A
Rated current (min. ... max.), load-dependent	1.5 ... 2.2 A	1.4 ... 2.1 A	1.7 ... 2.6 A
Inrush current I ² t	0.5 A ² s		
Power consumption ¹	43.2 W	40.8 W	50.4 W
Maximum permitted transient	35 V (500 ms)		
Minimum time between two transients	50 s		
Internal protection	Yes		

¹ The power loss generally corresponds to the specified value for power consumption.

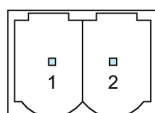
Miscellaneous

	ITC1900 V3 (PRO)	ITC2200 V3 (PRO)	ITC2400 V3 (PRO)
Audio reproduction	Via onboard beeper		

8.8 Description of the ports

8.8.1 Power supply

Plug connector, 2-pin



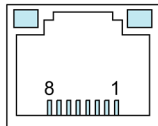
The following table shows the pin assignment of the power supply.

Pin	Assignment
1	+24 VDC
2	GND 24 V

8.8.2 PROFINET (LAN), LAN - 10/100/1000 MBit

Names of interfaces on HMI device: X1 P1 and X1 P2

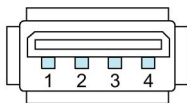
RJ45 plug connector



Pin	Assignment
1	D1+
2	D1-
3	D2+
4	D3+
5	D3-
6	D2-
7	D4+
8	D4-

8.8.3 USB

USB socket



The following table shows the pin assignment of the USB port.

Pin	Assignment
1	+5 VDC, out, max. 500 mA
2	USB-DN
3	USB-DP
4	GND

8.9 Performance data

Performance values

The performance depends on the network capacity in your system. With the SIMATIC WinCC Sm@rtServer option, the performance varies within the values specified in the WinCC documentation.

See also

FAQ 25576569 (<http://support.automation.siemens.com/WW/view/en/25576569>)

Technical Support

A.1 Service and support

You can find additional information and support for the products described on the Internet at the following addresses:

- Technical support (<https://support.industry.siemens.com>)
- Support request form (<https://www.siemens.com/supportrequest>)
- After Sales Information System SIMATIC IPC/PG (<https://www.siemens.com/asis>)
- SIMATIC Documentation Collection (<https://www.siemens.com/simatic-tech-doku-portal>)
- Your local representative (https://www.automation.siemens.com/aspa_app)
- Training center (<https://siemens.com/sitrain>)
- Industry Mall (<https://mall.industry.siemens.com>)

When contacting your local representative or Technical Support, please have the following information at hand:

- MLFB of the device
- BIOS version for industrial PC or image version of the device
- Other installed hardware
- Other installed software

Current documentation

Always use the current documentation available for your product. You can find the latest edition of this manual and other important documents by entering the article number of your device on the Internet (<https://support.industry.siemens.com>). If necessary, filter the comments for the entry type "Manual".

Tools & downloads

Please check regularly if updates and hotfixes are available for download to your device. The download area is available on the Internet at the following link:

After Sales Information System SIMATIC IPC/PG (<https://www.siemens.com/asis>)

A.2 Application examples and FAQs

Application examples

You can find an application example for the "ITC" operating mode on the Internet at the following address: Configuration examples ITC (<https://support.industry.siemens.com/cs/ww/en/view/109758315>)

You can find additional application examples on the Internet at the following address: Thin Clients application examples (<https://support.industry.siemens.com/cs/ww/en/ps/16794/ae>)











FAQs

You can find frequently asked questions on Industrial Thin Clients on the Internet at the following address: FAQs ITC (<https://support.industry.siemens.com/cs/ww/en/ps/16797/faq>)





Markings and symbols

B.1 Safety-relevant symbols

The following table describes symbols that can be added to your SIMATIC device, to its packaging or to an enclosed document in addition to the symbols described in the manuals.

Symbol	Meaning	Reference
	General danger sign Caution / Attention You must following the operating instructions. The operating instructions contain information on the type of the potential hazard and enable you to identify risks and implement countermeasures.	ISO 7000 No. 0434B, DIN ISO 7000 No. 0434B
 ONLY EX MODULES	Attention, only relevant for modules with Ex approval	
	Follow the instructions	ISO 7010 M002
	May be installed by qualified electricians only	IEC 60417 No. 6182
 F<2N DISPLAY F<4N HOUSING	Mechanical load for HMI devices	
 CABLE SPEC.	Connection cables must be designed for the ambient temperature	
 EMC	EMC-compliant installation	
 U = 0V	No mounting or pulling & plugging under voltage	
 230V MODULES	Dangerous electrical voltage for 230V modules	ANSI Z535.2
 24V MODULES	Protection class III, supply only with protective low voltage (SELV/PELV)	IEC 60417-1-5180 "Class III equipment"

B.1 Safety-relevant symbols

Symbol	Meaning	Reference
 <p data-bbox="145 359 330 402">INDOOR USE ONLY INDUSTRIAL USE ONLY</p>	<p data-bbox="360 283 1051 310">Only for industrial applications and indoor areas (control cabinet)</p>	
	<p data-bbox="360 414 965 442">Device is to be integrated or installed in a control cabinet</p>	
 <p data-bbox="161 576 314 619">ZONE 2 USE CABINET IP54</p>	<p data-bbox="360 500 1102 555">Integrate or install devices approved for Ex Zone 2 in a control cabinet with at least IP54</p>	
 <p data-bbox="161 708 314 751">ZONE 22 USE CABINET IP6x</p>	<p data-bbox="360 632 1117 687">Integrate or install devices approved for Ex Zone 22 in a control cabinet with at least IP6x</p>	

Abbreviations

CAL	Client Access License (Windows Server)
DC	Direct Current
DHCP	Dynamic Host Configuration Protocol
DIP	Dual In-Line Package
DNS	Domain Name System
DP	Distributed I/O
ESD	Components and modules endangered by electrostatic discharge
EKS	Electronic Key System
EMC	Electromagnetic Compatibility
EN	European standard
ESD	Components and modules endangered by electrostatic discharge
FAT	File Allocation Table
GND	Ground
HF	High Frequency
HMI	Human Machine Interface
HT	Handheld Terminal
HTML	Hypertext Mark-up Language
HTTP	Hypertext Transfer Protocol
HSK	Horizontal Soft Key
IEC	International Electronic Commission
IP	Internet Protocol
IPC	Industrial Personal Computer
MAC	Media Access Control
MCP	Machine Control Panel
MPI	Multipoint Interface (SIMATIC S7)
MPP	Machine Push Button Panel
MS	Microsoft
MSDN	Microsoft Developer Network
NCK	Numerical Control Kernel
NCU	Numerical Control Unit
NTFS	New Technology File System
OP	Operator Panel
PC	Personal Computer
PCU	Panel Control Unit
PG	Programming device
PLC	Programmable Logic Controller
PPI	Point-to-Point Interface (SIMATIC S7)
PELV	Protective Extra Low Voltage
PN	PROFINET
RDP	Remote Desktop Protocol

RJ45	Registered Jack Type 45
SNC	System Network Center
TCU	Thin Client Unit
TFT	Thin Film Transistor
TFTP	Trivial File Transfer Protocol
TOP	Thin Client Operator Panel
TP	Touch Panel
TS-CAL	Terminal Server Client Access License (Windows Server)
UL	Underwriter's Laboratory
USB	Universal Serial Bus
VNC	Virtual Network Computing
VSK	Vertical Soft Key

Glossary

Browser

A browser is a computer program that is used to start Web sites in the Internet.

Client-server system

A client/server system is a network structure in which the resources are offered by a central server that the workstations (clients) can access.

Degree of protection

The degree of protection specifies the suitability of electronic equipment for a variety of ambient conditions – and the protection of persons against potential danger when using this equipment.

The degree of protection specified by IP differs from the protection class. But both involve protection against touching dangerous electric voltage. The degree of protection also classifies the protection of equipment against dirt and moisture.

Domain Name System (DNS)

The DNS is a service in the Internet that converts domain names into IP addresses.

Dynamic Host Configuration Protocol (DHCP)

DHCP enables dynamic assignment of an IP address and additional configuration parameters to computers in a network, via an appropriate server.

Electromagnetic Compatibility (EMC)

Electromagnetic compatibility (EMC) refers to a usually desirable state, in which technical equipment does not disturb one another with unwanted electrical or electromagnetic effects. Electromagnetic compatibility deals with technical and regulatory questions of undesired, mutual influence in electrical engineering.

EMC

Electromagnetic compatibility is the ability of electrical equipment to function properly in its electromagnetic environment without influencing this environment.

Ethernet

Ethernet is a fixed-cable data network technology for local area networks (LANs). Ethernet enables data transfer in the form of data frames between all devices that are connected in a local area network, for example, computers, printers.

HMI device

An HMI device is a device used for the operation and monitoring of machines and plants. The statuses of the machine or plant are indicated by means of graphic elements or by indicator lamps on the HMI device. The operator controls of the HMI device allow the operator to interact with the processes of the machine or plant.

Plant

General term referring to machines, processing centers, systems, plants and processes which are operated and monitored on an HMI device.

PLC

A PLC is a general term for devices and systems with which the HMI device communicates, for example, SIMATIC S7.

Process visualization

Visualization of technical processes by means of text and graphic elements. Configured plant screens allow operator intervention in active plant processes by means of the input and output data.

PROFINET

PROFINET is a standard for an industrial Ethernet in automation systems.

Project

Result of a configuration using a configuration software. The project normally contains several screens with embedded system-specific objects, basic settings and alarms. The project is transferred to an HMI device and monitored and operated with the HMI device.

Protection class

The protection class is used in electrical engineering to classify and identify electrical equipment in relation to existing safety measures designed to prevent electric shock. There are three protection classes for electrical equipment.

Remote Desktop Protocol (RDP)

RDP enables network access to applications that are executed on a Windows Terminal Server. In this process the RDP regulates transmission of screen content and keyboard and mouse inputs over the network.

Screen

Form of the visualization of all logically related process data for a plant. The visualization of the process data can be supported by graphic objects.

Sm@rtServer

The Sm@rtServer option from SIMATIC WinCC (TIA Portal) enables communication between HMI systems based on Ethernet networks or via the Intranet/Internet. This enables an HMI device to be monitored and remotely controlled by another HMI device.

Virtual Network Computing (VNC)

VNC enables network access to applications that are executed on a remote computer regardless of the platform. In this process the VNC controls transmission of screen content and keyboard and mouse inputs over the network.