

Compact PLC, 24 V DC, ethernet, RS232, RS485, CAN, SWDT




Part no. XC-152-E6-11
 Catalog No. 167851
 Alternate Catalog No. XC-152-E6-11
 EL-Nummer 4560868
 (Norway)

Delivery program

Product range			SmartWire-DT coordinators
Function			With SmartWire-DT master interface Additional field bus interfaces Ethernet Web-server OPC Server Remote Server
Operating system			Windows CE 5.0 (licence incl.)
PLC-licence			CoDeSys Runtime (licence inclusive)
Integrated Web server			yes
Built-in interfaces			1 x Ethernet 10/100 Mbps 1 x USB device 2.0 1 x USB host 2.0 1 x RS485 1 x CANopen®/easyNet 1 x SmartWire-DT
Slots			for SD card: 1
Memory			
Application/marker/retain data			64 MB/4 KB/32 KB

Technical data

General

Standards			EN 61131, UL 508
Approvals			
Approvals			CE, cULus EAC
shipping classification			DNV GL
			
Ambient temperature		°C	0 - +55
Storage	θ	°C	-20 - +60
Degree of Protection			IP20
Battery (service life)			non-replaceable, BR2330 soldered in
Weight		kg	0.49

Power supply

Supply voltage		V DC	24
Permissible range	U _e		20.4 - 28.8 V DC
Maximum power loss	P _v	W	8.5
Note on heat dissipation			Heat dissipation with power consumption for 24 V 6 W for basic device + 2.5 W for USB module

CPU

Processor			RISC CPU, 32 Bit, 400 MHz
-----------	--	--	---------------------------

Memory

Program code/program data			64MB
Cycle time for 1 k of instructions (Bit, Byte)		ms	Normally 0.04

Interfaces

Basic interfaces			
Ethernet			

Profile			FTP SMTP HTTP TCP UDP IP
Data transfer rate		MBit/s	100Base-TX 10Base-T
Potential isolation			500 V _{r.m.s.}
Programming interface			yes
Connections			RJ45
USB			
USB Host			USB 2.0
Potential isolation			None
USB device			USB 2.0
Potential isolation			None
additional interfaces			
PROFIBUS			
			–
CAN			
			✓
Profile			CANopen easyNet (Master/Device)
Data transfer rate		kbit/s	max. 1000
Potential isolation			None
Module		Count	127
Connections			9-pin D-sub (plug)
SmartWire-DT			
			✓
Profile			SmartWire-DT
Data transfer rate		kbit/s	max. 250
Potential isolation			None
Module		Count	99
Connections			Blade terminal SWD4-8MF2
RS485			
			✓
Data transfer rate		kbit/s	max. 57.6
Potential isolation			None
Connections			9-pin D-sub (plug)
RS232			
			–
RTC (real-time clock)			yes

Design verification as per IEC/EN 61439

Technical data for design verification			
Static heat dissipation, non-current-dependent	P _{vs}	W	6
Operating ambient temperature min.		°C	0
Operating ambient temperature max.		°C	55
IEC/EN 61439 design verification			
10.2 Strength of materials and parts			
10.2.2 Corrosion resistance			Meets the product standard's requirements.
10.2.3.1 Verification of thermal stability of enclosures			Meets the product standard's requirements.
10.2.3.2 Verification of resistance of insulating materials to normal heat			Meets the product standard's requirements.
10.2.3.3 Verification of resistance of insulating materials to abnormal heat and fire due to internal electric effects			Meets the product standard's requirements.
10.2.4 Resistance to ultra-violet (UV) radiation			Meets the product standard's requirements.
10.2.5 Lifting			Does not apply, since the entire switchgear needs to be evaluated.
10.2.6 Mechanical impact			Does not apply, since the entire switchgear needs to be evaluated.

10.2.7 Inscriptions			Meets the product standard's requirements.
10.3 Degree of protection of ASSEMBLIES			Meets the product standard's requirements.
10.4 Clearances and creepage distances			Meets the product standard's requirements.
10.5 Protection against electric shock			Does not apply, since the entire switchgear needs to be evaluated.
10.6 Incorporation of switching devices and components			Does not apply, since the entire switchgear needs to be evaluated.
10.7 Internal electrical circuits and connections			Is the panel builder's responsibility.
10.8 Connections for external conductors			Is the panel builder's responsibility.
10.9 Insulation properties			
10.9.2 Power-frequency electric strength			Is the panel builder's responsibility.
10.9.3 Impulse withstand voltage			Is the panel builder's responsibility.
10.9.4 Testing of enclosures made of insulating material			Is the panel builder's responsibility.
10.10 Temperature rise			The panel builder is responsible for the temperature rise calculation. Eaton will provide heat dissipation data for the devices.
10.11 Short-circuit rating			Is the panel builder's responsibility.
10.12 Electromagnetic compatibility			Is the panel builder's responsibility.
10.13 Mechanical function			The device meets the requirements, provided the information in the instruction leaflet (IL) is observed.

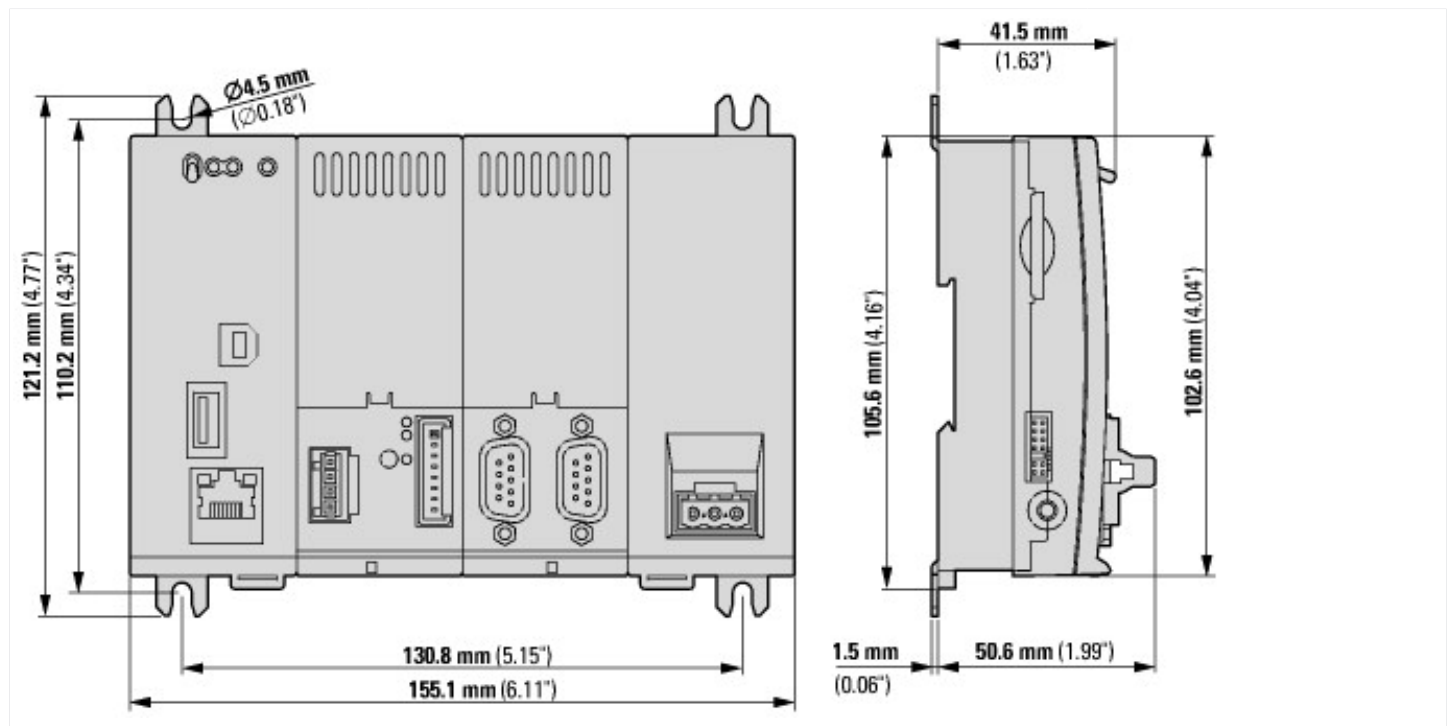
Technical data ETIM 8.0

Programmable logic controllers PLC (EG000024) / PLC device set (EC002581)			
Electric engineering, automation, process control engineering / Control / Programmable logic control (SPS) / PLC device set (ecl@ss10.0.1-27-24-22-19 [BAA707013])			
Contains function building blocks			Yes
Contains basic device			Yes
Contains module rack			No
Contains power supply			Yes
Contains analogue input module			No
Contains analogue output module			No
Contains digital input module			No
Contains digital output module			No
Contains function module			Yes
Contains technology module			Yes
Contains communication module			Yes
Contains memory unit			Yes
Contains simulation module			No
Contains connection cable			No
Contains control unit			No
Contains monitor			No
Contains programming software			No
Contains engineering software			Yes
Contains visualization			Yes
Contains libraries			Yes
Contains documentation			Yes
Contains other components			Yes
Software preinstalled			No

Approvals

Product Standards			UL508, cULus; IEC/EN 61131-2, CE
UL File No.			E205091
UL Category Control No.			NRAQ
CSA File No.			UL report applies to US and Canada
CSA Class No.			-
North America Certification			UL listed, certified by UL for use in Canada
Degree of Protection			IEC:IP20, UL/CSA Tape: open type

Dimensions



Additional product information (links)

SmartWire-DT product range catalog	http://ecat.moeller.net/flip-cat/?edition=SWKAT&startpage=12
Technical data	http://ecat.moeller.net/flip-cat/?edition=SWKAT&startpage=52
f1=1454&f2=1242&f3=1773;Download Software GALILEO	http://applications.eaton.eu/sdlc?LX=11&amp
Product overview (WEB)	http://www.eaton.eu/xc152