

Operating Guide

VLT® Micro Drive FC 51



Contents

| | | |
|----------|---|-----------|
| 1 | Introduction | 5 |
| 1.1 | Purpose of this Operating Guide | 5 |
| 1.2 | Additional Resources | 5 |
| 1.3 | Type Approvals and Certifications | 5 |
| 1.4 | IT Mains | 5 |
| 1.5 | Disposal | 5 |
| 1.6 | CE Declaration | 6 |
| 2 | Safety | 7 |
| 2.1 | Safety Symbols | 7 |
| 2.2 | Qualified Personnel | 7 |
| 2.3 | Safety Precautions | 7 |
| 2.4 | Safety Instructions | 9 |
| 3 | Installation | 10 |
| 3.1 | Before Commencing Repair Work | 10 |
| 3.2 | Side-by-side Installation | 10 |
| 3.3 | Mechanical Dimensions | 10 |
| 3.4 | Electrical Installation in General | 11 |
| 3.5 | Fuses | 11 |
| 3.5.1 | Branch Circuit Protection | 11 |
| 3.5.2 | Short-circuit Protection | 11 |
| 3.5.3 | Overcurrent Protection | 12 |
| 3.5.4 | Non-UL Compliance | 12 |
| 3.5.5 | Recommendation of Fuses | 12 |
| 3.6 | Connecting to Mains and Motor | 13 |
| 3.7 | Control Terminals | 13 |
| 3.8 | Power Circuit | 16 |
| 3.9 | Load Sharing/Brake | 16 |
| 4 | Programming | 18 |
| 4.1 | Local Control Panel (LCP) | 18 |
| 4.2 | Programming on Automatic Motor Tuning (AMT) | 19 |
| 4.2.1 | Mode 1 | 19 |
| 4.2.2 | Mode 2 | 19 |
| 5 | Parameter Overview | 20 |
| 5.1 | Parameter List | 20 |

| | | |
|-----------|---------------------------------------|-----------|
| 6 | Troubleshooting | 25 |
| 6.1 | Warnings and Alarms | 25 |
| 7 | Specifications | 27 |
| 7.1 | Mains Supply 1x200–240 V AC | 27 |
| 7.2 | Mains Supply 3x200–240 V AC | 27 |
| 7.3 | Mains Supply 3x380–480 V AC | 28 |
| 8 | General Technical Data | 31 |
| 8.1 | Protection and Features | 31 |
| 8.2 | Mains Supply (L1/L, L2, L3/N) | 31 |
| 8.3 | Motor Output (U, V, W) | 31 |
| 8.4 | Cable Length and Cross-section | 31 |
| 8.5 | Digital Inputs (Pulse/encoder Inputs) | 31 |
| 8.6 | Analog Inputs | 32 |
| 8.7 | Analog Outputs | 32 |
| 8.8 | RS485 Serial Communication | 32 |
| 8.9 | Control Card, 24 V DC Output | 32 |
| 8.10 | Relay Output | 32 |
| 8.11 | Control Card, +10 V DC Output | 33 |
| 8.12 | Surroundings | 33 |
| 9 | Special Conditions | 34 |
| 9.1 | Derating for Ambient Temperature | 34 |
| 9.2 | Derating for Low Air Pressure | 34 |
| 9.3 | Derating for Running at Low Speeds | 34 |
| 10 | Options and Spare Parts | 35 |
| 10.1 | List of Options and Spare Parts | 35 |

1 Introduction

1.1 Purpose of this Operating Guide

This Operating Guide provides information for safe installation and commissioning of the AC drive. It is intended for use by qualified personnel.

Read and follow the instructions to use the drive safely and professionally.

Pay particular attention to the safety instructions and general warnings. Always keep this Operating Guide with the drive.

VLT[®] is a registered trademark for Danfoss A/S.

1.2 Additional Resources

Other resources are available to understand advanced drive functions and programming.

- The Programming Guide provides greater detail on working with parameters and many application examples.
- The Design Guide provides detailed information about capabilities and functionality to design motor control systems.
- Instructions for operation with optional equipment and replacement of components.

Supplementary publications and manuals are available at: www.danfoss.com.

1.3 Type Approvals and Certifications



For more information on UL 508C thermal memory retention requirements, refer to the section *Motor Thermal Protection* in the product-specific Design Guide.

1.4 IT Mains

NOTICE

IT MAINS

Installation on isolated mains source, that is IT mains. Maximum supply voltage allowed when connected to mains: 440 V.

As an option, Danfoss offers recommended line filters for improved harmonics performance. See *chapter Options and Spare Parts*.

1.5 Disposal



Do not dispose of equipment containing electrical components together with domestic waste. Collect it separately in accordance with local and currently valid legislation.

1.6 CE Declaration



Danfoss A/S

6430 Nordborg
Denmark
CVR nr.: 20 16 57 15

Telephone: +45 7488 2222
Fax: +45 7449 0949

EU DECLARATION OF CONFORMITY

Danfoss A/S
Danfoss Drives A/S

declares under our sole responsibility that the

Product category: Frequency Converter

Type designation(s): FC-051PXXXYY*****

Character XXX: K18, K25, K37, K55, K75, 1K5, 2K2, 3K0, 3K7, 4K0, 5K5, 7K5, 11K, 15K, 18K, 22K.

Character YY: S2, T2, T4.

* may be any number or letter indicating drive options which do not impact this DoC.

The meaning of the 39 characters in the type code string can be found in appendix 00729776.

Covered by this declaration is in conformity with the following directive(s), standard(s) or other normative document(s), provided that the product is used in accordance with our instructions.

Low Voltage Directive 2014/35/EU



EN61800-5-1: 2007 + A1:2017 Adjustable speed electrical power drive systems – Part 5-1: Safety requirements – Electrical, thermal and energy.

EMC Directive 2014/30/EU

EN61800-3:2004 + A1:2012 Adjustable speed electrical power drive systems – Part 3: EMC requirements and specific test methods.

RoHS Directive 2011/65/EU including amendment 2015/863.

EN63000:2018 Technical documentation for the assessment of electrical and electronic products with respect to the restriction of hazardous substances

| | | | |
|---|---|---|---|
| Date: 2020.09.15 Place of issue: Graasten, DK | Issued by  Signature: Name: Gert Kjær Title: Senior Director, GDE | Date: 2020.09.15 Place of issue: Graasten, DK | Approved by  Signature: Name: Michael Termansen Title: VP, PD Center Denmark |
|---|---|---|---|

Danfoss only vouches for the correctness of the English version of this declaration. In the event of the declaration being translated into any other language, the translator concerned shall be liable for the correctness of the translation

2 Safety

2.1 Safety Symbols

The following symbols are used in this manual:

⚠ D A N G E R ⚠

Indicates a hazardous situation which, if not avoided, will result in death or serious injury.

⚠ W A R N I N G ⚠

Indicates a hazardous situation which, if not avoided, could result in death or serious injury.

⚠ C A U T I O N ⚠

Indicates a hazardous situation which, if not avoided, could result in minor or moderate injury.

N O T I C E

Indicates information considered important, but not hazard-related (for example, messages relating to property damage).

2.2 Qualified Personnel

To allow trouble-free and safe operation of the unit, only qualified personnel with proven skills are allowed to transport, store, assemble, install, program, commission, maintain, and decommission this equipment.

Persons with proven skills:

- Are qualified electrical engineers, or persons who have received training from qualified electrical engineers and are suitably experienced to operate devices, systems, plant, and machinery in accordance with pertinent laws and regulations.
- Are familiar with the basic regulations concerning health and safety/accident prevention.
- Have read and understood the safety guidelines given in all manuals provided with the unit, especially the instructions given in the Operating Guide.
- Have good knowledge of the generic and specialist standards applicable to the specific application.

2.3 Safety Precautions

⚠ W A R N I N G

HIGH VOLTAGE

AC drives contain high voltage when connected to AC mains input, DC supply, or load sharing. Failure to perform installation, start-up, and maintenance by qualified personnel can result in death or serious injury.

- Only qualified personnel must perform installation, start-up, and maintenance.

⚠ W A R N I N G

UNINTENDED START

When the drive is connected to the AC mains, DC supply, or load sharing, the motor may start at any time, causing risk of death, serious injury, and equipment or property damage. The motor may start by activation of an external switch, a fieldbus command, an input reference signal from the LCP or LOP, via remote operation using MCT 10 Set-up software, or after a cleared fault condition.

- Press [Off] on the LCP before programming parameters.
- Disconnect the drive from the mains whenever personal safety considerations make it necessary to avoid unintended motor start.
- Check that the drive, motor, and any driven equipment are in operational readiness.

N O T I C E

The [Off/Reset] key is not a safety switch. It does not disconnect the drive from mains.

⚠ W A R N I N G ⚠

DISCHARGE TIME

The drive contains DC-link capacitors, which can remain charged even when the drive is not powered. High voltage can be present even when the warning indicator lights are off.

Failure to wait the specified time after power has been removed before performing service or repair work could result in death or serious injury.

- Stop the motor.
- Disconnect AC mains, permanent magnet type motors, and remote DC-link supplies, including battery back-ups, UPS, and DC-link connections to other drives.
- Wait for the capacitors to discharge fully. The minimum waiting time is specified in the table *Discharge time* and is also visible on the nameplate on top of the drive.
- Before performing any service or repair work, use an appropriate voltage measuring device to make sure that the capacitors are fully discharged.

Table 1: Discharge Time

| Size | Minimum waiting time (minutes) |
|----------------|--------------------------------|
| M1, M2, and M3 | 4 |
| M4 and M5 | 15 |

Leakage current (>3.5 mA)

Follow national and local codes regarding protective earthing of equipment with a leakage current >3.5 mA. AC drive technology implies high frequency switching at high power. This generates a leakage current in the ground connection. A fault current in the drive at the output power terminals might contain a DC component, which can charge the filter capacitors and cause a transient ground current. The ground leakage current depends on various system configurations including RFI filtering, shielded motor cables, and drive power.

EN/IEC61800-5-1 (Power Drive System Product Standard) requires special care if the leakage current exceeds 3.5 mA. Reinforce Grounding in 1 of the following ways:

- Grounding wire of at least 10 mm² (8 AWG).
- 2 separate ground wires both complying with the dimensioning rules.

See EN 60364-5-54 § 543.7 for further information.

Using RCDs

Where residual current devices (RCDs), also known as earth leakage circuit breakers (ELCBs), are used, comply with the following:

- Use RCDs of type B that can detect AC and DC currents.
- Use RCDs with an inrush delay to prevent faults due to transient ground currents.
- Dimension RCDs according to the system configuration and environmental considerations.

Motor thermal protection

Motor overload protection is possible by setting *parameter 1-90 Motor Thermal Protection* to [4] *ETR trip*. For the North American market: Implemented ETR function provides class 20 motor overload protection, in accordance with NEC.

Installation at high altitudes

For altitudes above 2000 m (6562 ft), contact Danfoss regarding PELV.

2.4 Safety Instructions

- Make sure that the drive is properly grounded.
- Do not remove mains connections, motor connections, or other power connections while the drive is connected to power.
- Protect users against supply voltage.
- Protect the motor against overloading according to national and local regulations.

3 Installation

3.1 Before Commencing Repair Work

Procedure

1. Disconnect the drive from mains (and external DC supply, if present).
2. Wait for 4 minutes (M1, M2, and M3) and 15 minutes (M4 and M5) for discharge of the DC-link.
3. Disconnect the DC bus terminals and the brake terminals (if present).
4. Remove the motor cable.

3.2 Side-by-side Installation

The drive can be mounted side by side for IP20 rating units and requires 100 mm (3.9 in) clearance above and below for cooling. Refer to *chapter Specifications* for details on environmental ratings of the drive.

3.3 Mechanical Dimensions

A template for drilling is found on the flap of the packaging.

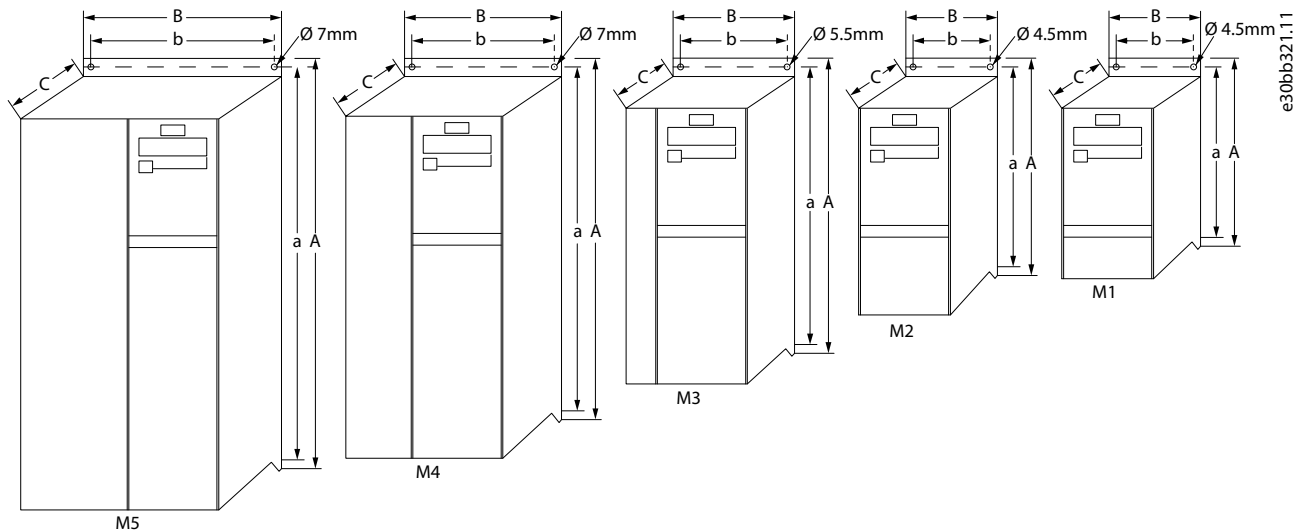


Illustration 1: Mechanical Dimensions

Table 2: Mechanical Dimensions

| Enclosure | Power [kW (hp)] | | | Height [mm (in)] | | | Width [mm (in)] | | Depth [mm (in)] ⁽¹⁾ | Maximum weight [kg (lb)] |
|-----------|----------------------|----------------------|---------------------|------------------|---------------------------------|-------------|-----------------|----------|--------------------------------|--------------------------|
| | 1x200–240 V | 3x200–240 V | 3x380–480 V | A | A (including de-coupling plate) | a | B | b | | |
| M1 | 0.18–0.75 (0.24–1.0) | 0.25–0.75 (0.34–1.0) | 0.37–0.75 (0.5–1.0) | 150 (5.9) | 205 (8.1) | 140.4 (5.5) | 70 (2.8) | 55 (2.2) | 148 (5.8) | 1.1 (2.4) |
| M2 | 1.5 (2.0) | 1.5 (2.0) | 1.5–2.2 (2.0–3.0) | 176 (6.9) | 230 (9.1) | 166.4 (6.6) | 75 (3.0) | 59 (2.3) | 168 (6.6) | 1.6 (3.5) |

| Enclosure | Power [kW (hp)] | | | Height [mm (in)] | | | Width [mm (in)] | | Depth [mm (in)] ⁽¹⁾ | Maximum weight [kg (lb)] |
|-----------|-----------------|-------------------|-------------------|------------------|---------------------------------|--------------|-----------------|-----------|--------------------------------|--------------------------|
| | 1x200–240 V | 3x200–240 V | 3x380–480 V | A | A (including de-coupling plate) | a | B | b | | |
| M3 | 2.2 (3.0) | 2.2–3.7 (3.0–5.0) | 3.0–7.5 (4.0–10) | 239 (9.4) | 294 (11.6) | 226 (8.9) | 90 (3.5) | 69 (2.7) | 194 (7.6) | 3.0 (6.6) |
| M4 | – | – | 11.0–15.0 (15–20) | 292 (11.5) | 347.5 (13.7) | 272.4 (10.7) | 125 (4.9) | 97 (3.8) | 241 (9.5) | 6.0 (13.2) |
| M5 | – | – | 18.5–22.0 (25–30) | 335 (13.2) | 387.5 (15.3) | 315 (12.4) | 165 (6.5) | 140 (5.5) | 248 (9.8) | 9.5 (20.9) |

¹ For LCP with potentiometer, add 7.6 mm (0.3 in).

3.4 Electrical Installation in General

NOTICE

All cabling must comply with national and local regulations on cable cross-sections and ambient temperature. Copper conductors required, 60–75 °C (140–167 °F) recommended.

Table 3: Tightening of Terminals

| Enclosure | Power [kW (hp)] | | | Torque [Nm (in-lb)] | | | | | |
|-----------|----------------------|----------------------|---------------------|---------------------|------------|----------------------|-------------------|----------|-----------|
| | 1x200–240 V | 3x200–240 V | 3x380–480 V | Line | Motor | DC connection/brake | Control terminals | Ground | Relay |
| M1 | 0.18–0.75 (0.24–1.0) | 0.25–0.75 (0.34–1.0) | 0.37–0.75 (0.5–1.0) | 0.8 (7.1) | 0.7 (6.2) | Spade ⁽¹⁾ | 0.15 (1.3) | 3 (26.6) | 0.5 (4.4) |
| M2 | 1.5 (2.0) | 1.5 (2.0) | 1.5–2.2 (2.0–3.0) | 0.8 (7.1) | 0.7 (6.2) | Spade ⁽¹⁾ | 0.15 (1.3) | 3 (26.6) | 0.5 (4.4) |
| M3 | 2.2 (3.0) | 2.2–3.7 (3.0–5.0) | 3.0–7.5 (4.0–10) | 0.8 (7.1) | 0.7 (6.2) | Spade ⁽¹⁾ | 0.15 (1.3) | 3 (26.6) | 0.5 (4.4) |
| M4 | – | – | 11.0–15.0 (15–20) | 1.3 (11.5) | 1.3 (11.5) | 1.3 (11.5) | 0.15 (1.3) | 3 (26.6) | 0.5 (4.4) |
| M5 | – | – | 18.5–22.0 (25–30) | 1.3 (11.5) | 1.3 (11.5) | 1.3 (11.5) | 0.15 (1.3) | 3 (26.6) | 0.5 (4.4) |

¹ Spade connectors (6.3 mm (0.25 in) Faston plugs).

3.5 Fuses

3.5.1 Branch Circuit Protection

To prevent fire hazards, protect the branch circuits in an installation, switch gear, machines, and so on, against short circuits and overcurrent. Follow national and local regulations.

3.5.2 Short-circuit Protection

Use the Danfoss recommended fuses to protect service personnel or other equipment if there is an internal failure in the unit or short circuit on DC-link. If there is a short circuit on the motor or brake output, the drive provides full short-circuit protection.

3.5.3 Overcurrent Protection

To avoid overheating of the cables in the installation, provide overload protection. Always carry out overcurrent protection according to national regulations. Fuses must be designed for protection in a circuit capable of supplying a maximum of 100000 A_{rms} (symmetrical), 480 V maximum.

3.5.4 Non-UL Compliance

If UL/cUL is not to be complied with, use the fuses mentioned in this chapter, which ensure compliance with EN50178/IEC61800-5-1. If there is a malfunction, not following the fuse recommendation may result in damage to the drive and the installation.

3.5.5 Recommendation of Fuses

Table 4: Fuses

| FC 51 | Maximum fuses UL | | | | | | Maximum fuses non-UL |
|--------------------|------------------|----------|----------|------------|----------------|----------------|----------------------|
| | Bussmann | Bussmann | Bussmann | Littelfuse | Ferraz Shawmut | Ferraz Shawmut | |
| kW | Type RK1 | Type J | Type T | Type RK1 | Type CC | Type RK1 | Type gG |
| 1x200–240 V | | | | | | | |
| PK18–PK37 | KTN-R15 | JKS-15 | JJN-15 | KLN-R15 | ATM-R15 | A2K-15R | 16A |
| PK75 | KTN-R25 | JKS-25 | JJN-25 | KLN-R25 | ATM-R25 | A2K-25R | 25A |
| P1K5 | KTN-R35 | JKS-35 | JJN-35 | KLN-R35 | – | A2K-35R | 35A |
| P2K2 | KTN-R50 | JKS-50 | JJN-50 | KLN-R50 | – | A2K-50R | 50A |
| 3x200–240 V | | | | | | | |
| PK25 | KTN-R10 | JKS-10 | JJN-10 | KLN-R10 | ATM-R10 | A2K-10R | 10A |
| PK37 | KTN-R15 | JKS-15 | JJN-15 | KLN-R15 | ATM-R15 | A2K-15R | 16A |
| PK75 | KTN-R20 | JKS-20 | JJN-20 | KLN-R20 | ATM-R20 | A2K-20R | 20A |
| P1K5 | KTN-R25 | JKS-25 | JJN-25 | KLN-R25 | ATM-R25 | A2K-25R | 25A |
| P2K2 | KTN-R40 | JKS-40 | JJN-40 | KLN-R40 | ATM-R40 | A2K-40R | 40A |
| P3K7 | KTN-R40 | JKS-40 | JJN-40 | KLN-R40 | – | A2K-40R | 40A |
| 3x380–480 V | | | | | | | |
| PK37–PK75 | KTS-R10 | JKS-10 | JJS-10 | KLS-R10 | ATM-R10 | A6K-10R | 10A |
| P1K5 | KTS-R15 | JKS-15 | JJS-15 | KLS-R15 | ATM-R15 | A2K-15R | 16A |
| P2K2 | KTS-R20 | JKS-20 | JJS-20 | KLS-R20 | ATM-R20 | A6K-20R | 20A |
| P3K0 | KTS-R40 | JKS-40 | JJS-40 | KLS-R40 | ATM-R40 | A6K-40R | 40A |
| P4K0 | KTS-R40 | JKS-40 | JJS-40 | KLS-R40 | ATM-R40 | A6K-40R | 40A |
| P5K5 | KTS-R40 | JKS-40 | JJS-40 | KLS-R40 | – | A6K-40R | 40A |
| P7K5 | KTS-R40 | JKS-40 | JJS-40 | KLS-R40 | – | A6K-40R | 40A |
| P11K | KTS-R60 | JKS-60 | JJS-60 | KLS-R60 | – | A6K-60R | 63A |

| FC 51 | Maximum fuses UL | | | | | | Maximum fuses non-UL |
|-------|------------------|--------|--------|---------|---|---------|----------------------|
| | KTS-R60 | JKS-60 | JJS-60 | KLS-R60 | – | A6K-60R | |
| P15K | KTS-R60 | JKS-60 | JJS-60 | KLS-R60 | – | A6K-60R | 63A |
| P18K | KTS-R60 | JKS-60 | JJS-60 | KLS-R60 | – | A6K-60R | 80A |
| P22K | KTS-R60 | JKS-60 | JJS-60 | KLS-R60 | – | A6K-60R | 80A |

3.6 Connecting to Mains and Motor

The drive is designed to operate all standard 3-phased asynchronous motors.

The drive is designed to accept mains/ motor cables with a maximum cross-section of 4 mm²/10 AWG (M1, M2, and M3), and a maximum cross-section of 16 mm²/6 AWG (M4 and M5).

- Use a shielded/armored motor cable to comply with EMC emission specifications, and connect this cable to both the decoupling plate and the motor metal.
- Keep motor cable as short as possible to reduce the noise level and leakage currents.
- For further details on mounting of the decoupling plate, see VLT® Micro Drive FC 51 Decoupling Mounting Plate Instructions.
- Also see the chapter EMC-correct Electrical Installation in the VLT® Micro Drive FC 51 Design Guide.

Mounting of Ground Cable, Mains, and Motor Wires

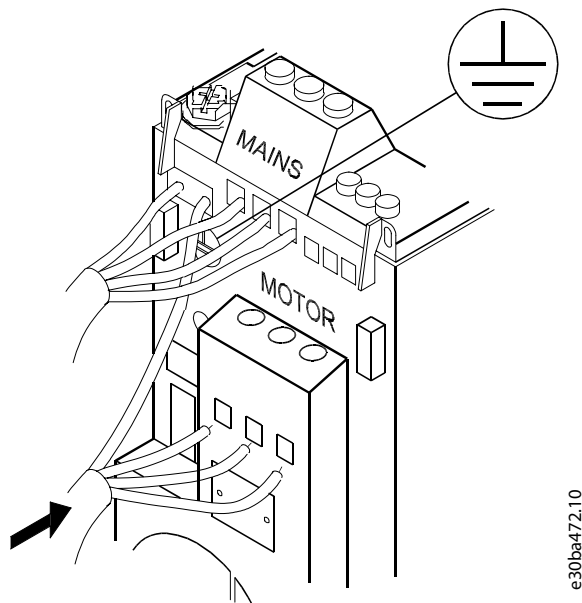


Illustration 2: Mounting of Ground Cable, Mains, and Motor Wires

- Mount the ground wires to the PE terminal.
- Connect motor to terminals U, V, and W.
- Mount mains supply to terminals L1/L, L2, and L3/N (3-phase) or L1/L and L3/N (single-phase) and tighten.

3.7 Control Terminals

All control cable terminals are located underneath the terminal cover in front of the drive. Remove the terminal cover using a screwdriver.

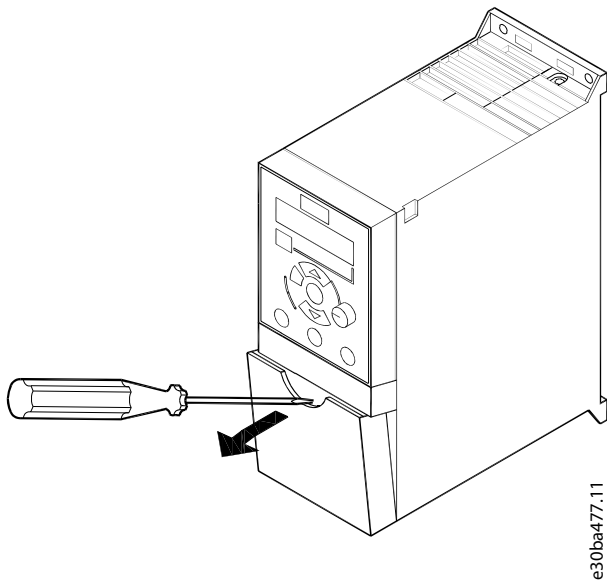


Illustration 3: Removing Terminal Cover

NOTICE

See the back of the terminal cover for outlines of control terminals and switches.

NOTICE

Do not operate switches with power on the drive.

NOTICE

Set parameter 6-19 Terminal 53 Mode according to Switch 4 position.

Table 5: Settings for S200 Switches 1–4

| | |
|----------|--|
| Switch 1 | Off=PNP terminals 29 ⁽¹⁾ |
| | On=NPN terminals 29 |
| Switch 2 | Off=PNP terminal 18, 19, 27, and 33 ⁽¹⁾ |
| | On=NPN terminal 18, 19, 27, and 33 |
| Switch 3 | No function |
| Switch 4 | Off=Terminal 53 0–10 V ⁽¹⁾ |
| | On=Terminal 53 0/4-20 mA |

¹ This is the default setting.

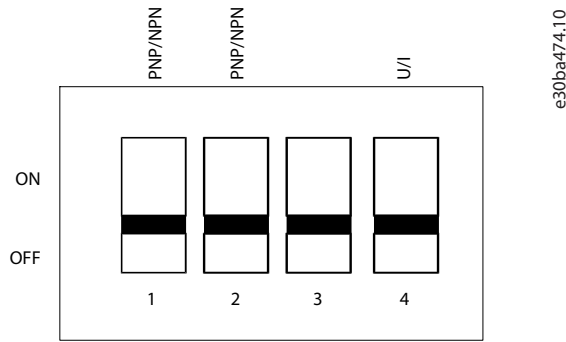


Illustration 4: S200 Switches 1–4

The following illustration shows all control terminals of the drive. Applying start (terminal 18) and an analog reference (terminal 53 or 60) make the drive run.

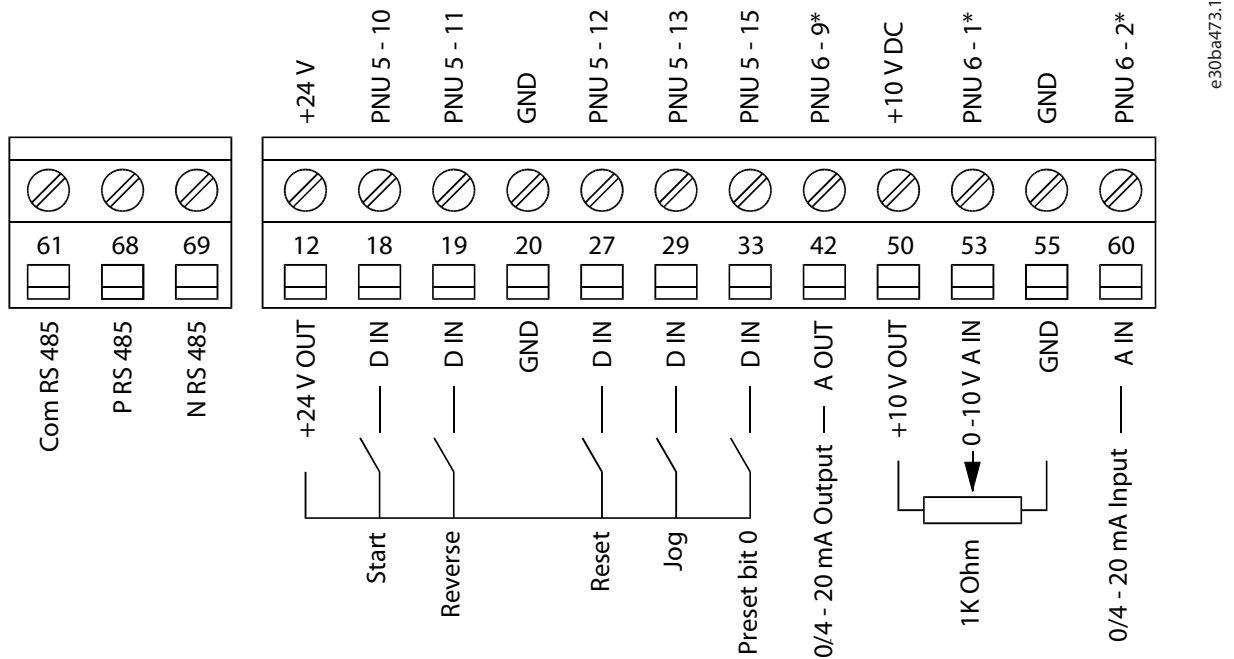


Illustration 5: Overview of Control Terminals in PNP-configuration with Factory Setting

3.8 Power Circuit

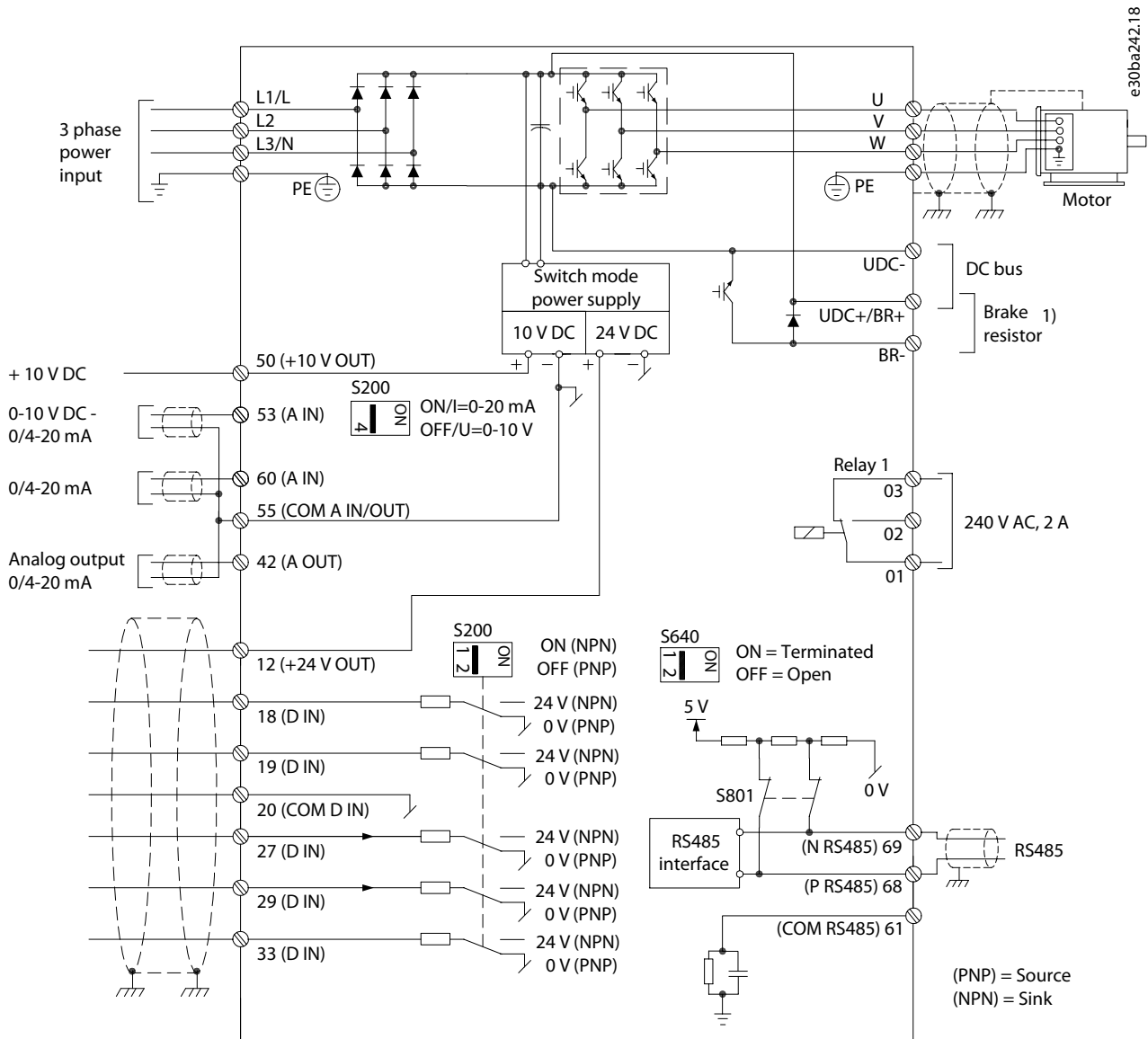


Illustration 6: Diagram Showing all Electrical Terminals

1) Brakes (BR+ and BR-) are not applicable for enclosure size M1.

For information about brake resistors, see VLT® Brake Resistor MCE 101 Design Guide.

Improved power factor and EMC performance can be achieved by installing optional Danfoss line filters.

Danfoss power filters can also be used for load sharing. For more information about load sharing, see VLT® Micro Drive FC 51 Load Sharing application note.

3.9 Load Sharing/Brake

Use 6.3 mm (0.25 in) insulated Faston plugs designed for high voltage for DC (load sharing and brake).

Contact Danfoss or see Load sharing instruction VLT® 5000 for load sharing and VLT® 2800/5000/5000 FLUX/FCD 300 Brake for brake.

Load sharing

Connect terminals -UDC and +UDC/+BR.

Brake

Connect terminals -BR and +UDC/+BR (not applicable for enclosure size M1).

N O T I C E

Voltage levels of up to 850 V DC may occur between terminals +UDC/+BR and -UDC. Not short-circuit protected.

4 Programming

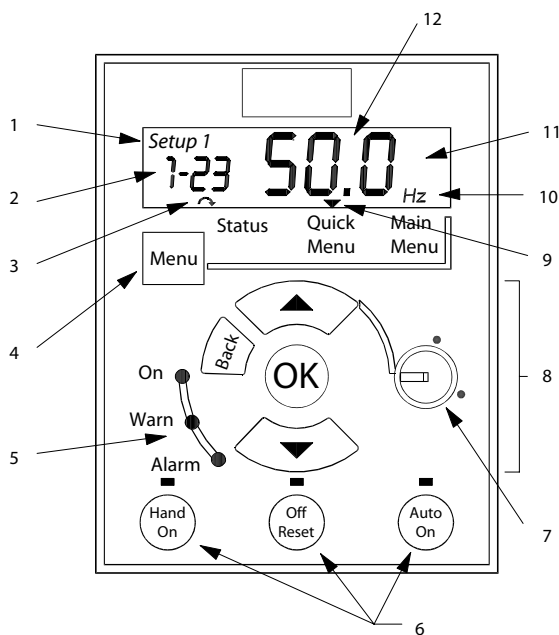
4.1 Local Control Panel (LCP)

For detailed information on programming, see VLT® Micro Drive FC 51 Programming Guide.

NOTICE

The drive can also be programmed from a PC via RS485 com-port by installing the MCT 10 Set-up Software.

- This software can either be ordered using code number 130B1000 or downloaded from the Danfoss web site: www.danfoss.com.



e30ba605.13

Illustration 7: Description of LCP Keys and Display

| | | | |
|---|------------------------|----|------------------------|
| 1 | Set-up number | 7 | Potentiometer (LCP 12) |
| 2 | Parameter number | 8 | Navigation keys |
| 3 | Motor direction | 9 | Selected menu |
| 4 | Menu key | 10 | Unit |
| 5 | Indicator lights | 11 | Numeric display |
| 6 | Operation keys and LED | 12 | Value |

Press [Menu] to select 1 of the following menus:

Status

For readouts only.

Quick Menu

For access to Quick Menus 1 and 2.

Main Menu

For access to all parameters.

Navigation keys

[Back]: For moving to the previous step or layer in the navigation structure.

[▲] [▼]: For manoeuvring between parameter groups, parameters, and within parameters.

[OK]: For selecting a parameter and for accepting changes to parameter settings.

Pressing [OK] for more than 1 s enters Adjust mode. In Adjust mode, it is possible to make fast adjustment by pressing [▲] [▼] combined with [OK].

Press [▲] [▼] to change value. Press [OK] to shift between digits quickly.

To exit Adjust mode, press [OK] more than 1 s again with changes saving or press [Back] without changes saving.

Operation keys

A yellow indicator light above the operation keys indicates the active key.

[Hand On]: Starts the motor and enables control of the drive via the LCP.

[Off/Reset]: The motor stops. If in alarm mode, the motor resets.

[Auto On]: The drive is controlled either via control terminals or serial communication.

[Potentiometer] (LCP12): The potentiometer works in 2 ways depending on the mode in which the drive is running.

In auto-on mode, the potentiometer acts as an extra programmable analog input.

In hand-on mode, the potentiometer controls local reference.

4.2 Programming on Automatic Motor Tuning (AMT)

Run AMT to optimize compatibility between the drive and the motor in VVC⁺ mode.

- The drive builds a mathematical model of the motor for regulating output motor current thus enhancing motor performance.
- Run this procedure on a cold motor for best results. To run AMT, use the numeric LCP (NLCP). There are 2 AMT modes for drives.

NOTICE

In mode 2, the rotor rotates during the AMT progress.

- Do not add any load on the motor in this AMT progress.

4.2.1 Mode 1

Procedure

1. Enter the main menu.
2. Go to *parameter group 1-** Load and Motor*.
3. Press [OK].
4. Set motor parameters using nameplate data for *parameter group 1-2* Motor Data*.
5. Go to *parameter 1-29 Automatic Motor Tuning (AMT)*.
6. Press [OK].
7. Select [2] *Enable AMT*.
8. Press [OK].
9. The test runs automatically and indicates when it is complete.

4.2.2 Mode 2

Procedure

1. Enter the main menu.
2. Go to *parameter group 1-** Load and Motor*.
3. Press [OK].
4. Set motor parameters using nameplate data for *parameter group 1-2* Motor Data*.
5. Go to *parameter 1-29 Automatic Motor Tuning (AMT)*.
6. Press [OK].
7. Select [3] *Complete AMT with Rotating motor*.
8. Press [OK].
9. The test runs automatically and indicates when it is complete.

5 Parameter Overview

5.1 Parameter List

Table 6: Parameter List

| | | | |
|---|---|--|--|
| 0-** Operation/Display | *[0] No copy | [18] 18.50 kW-25.00 hp | 0.05–5.00 s *0.10 s |
| 0-0* Basic Settings | [1] Copy from set-up 1 | [19] 22.00 kW-30.00 hp | 1-7* Start Adjustments |
| 0-03 Regional Settings | [2] Copy from set-up 2 | [20] 30.00 kW-40.00 hp | 1-71 Start Delay |
| *[0] International | [9] Copy from Factory set-up | 1-22 Motor Voltage | 0.0–10.0 s *0.0 s |
| [1] US | 0-6* Password | 50-999 V *Motortype dep. | 1-72 Start Function |
| 0-04 Operating State at Power-up (Hand) | 0-60 Main/Quick Menu Password | 1-23 Motor Frequency | [0] DC hold/delay time |
| [0] Resume | 0–999 *0 | 20–400 Hz *Motortype dep. | [1] DC brake/delay time |
| *[1] Forced stop, ref=old | 0-61 Access to Main/Quick Menu w/o Password | 1-24 Motor Current | *[2] Coast/delay time |
| [2] Forced stop, ref=0 | *[0] Full access | 0.01–26.00 A *Motortype dep. | 1-73 Flying Start |
| 0-1* Set-up Operations | *[0] Full access | 1-25 Motor Nominal Speed | *[0] Disabled |
| 0-10 Active Set-up | [1] LCP:Read Only | 100–9999 rpm *Motortype dep. | [1] Enabled |
| *[1] Set-up 1 | [2] LCP:No Access | 1-29 Automatic Motor Tuning (AMT) | 1-8* Stop Adjustments |
| [2] Set-up 2 | 1-** Load and Motor | *[0] Off | 1-80 Function at Stop |
| [9] Multi Set-up | 1-0* General Settings | [2] Enable AMT | *[0] Coast |
| 0-11 Edit Set-up | 1-00 Configuration Mode | [3] Complete AMT with Rotating motor | [1] DC hold |
| *[1] Set-up 1 | *[0] Speed open loop | 1-3* Adv. Motor Data | 1-82 Min Speed for Function at Stop [Hz] |
| [2] Set-up 2 | [3] Process | 1-30 Stator Resistance (Rs) | 0.0–20.0 Hz *0.0 Hz |
| [9] Active Set-up | 1-01 Motor Control Principle | [Ohm] * Dep. on motor data | 1-9*Motor Temperature |
| 0-12 Link Setups | [0] U/f | 1-33 Stator Leakage Reactance (X1) | 1-90 Motor Thermal Protection |
| [0] Not Linked | *[1] VVC+ | [Ohm] * Dep. on motor data | *[0] No protection |
| *[20] Linked | 1-03 Torque Characteristics | 1-35 Main Reactance (Xh) | [1] Thermistor warning |
| 0-3* LCP Readout | *[0] Constant torque | [Ohm] * Dep. on motor data | [2] Thermistor trip |
| 0-31 Custom Readout Min Value | [2] Auto Energy Optimization | 1-5* Load Indep. Setting | [3] ETR warning 1 |
| 0.00–9999.00 * 0.00 | 1-05 Hand Mode Configuration | 1-50 Motor Magnetisation at Zero Speed | [4] ETR trip 1 |
| 0-32 Custom Readout Max Value | [0] Speed Open Loop | 0–300% *100% | 1-93 Thermistor Resource |
| 0.00–9999.00 * 100.0 | *[2] As mode par 1-00 | 1-52 Min Speed Normal Magnetising [Hz] | *[0] None |
| 0-4* LCP Keypad | 1-2* Motor Data | 0.0–10.0 Hz *0.0Hz | [1] Analog input 53 |
| 0-40 [Hand on] Key on LCP | 1-20 Motor Power | 1-55 U/f Characteristic - U | [6] Digital input 29 |
| [0] Disabled | [1] 0.09 kW-0.12 hp | 0-999.9 V *0 V | 2-** Brakes |
| *[1] Enabled | [2] 0.12 kW-0.16 hp | 1-56 U/f Characteristic - F | 2-0* DC-Brake |
| 0-41 [Off / Reset] Key on LCP | [3] 0.18 kW-0.25 hp | 0-1000 Hz *0 Hz | 2-00 DC Hold Current |
| [0] Disable All | [4] 0.25 kW-0.33 hp | 1-6* Load Depen. Setting | 0–150% *50% |
| *[1] Enable All | [5] 0.37 kW-0.50 hp | 1-60 Low Speed Load Compensation | 2-01 DC Brake Current |
| [2] Enable Reset Only | [6] 0.55 kW-0.75 hp | 0–199% *100% | 0–150% *50% |
| 0-42 [Auto on] Key on LCP | [7] 0.75 kW-1.00 hp | 1-61 High Speed Load Compensation | 2-02 DC Braking Time |
| [0] Disabled | [8] 1.10 kW-1.50 hp | 0–199% *100% | 0.0–60.0 s *10.0 s |
| *[1] Enabled | [9] 1.50 kW-2.00 hp | 1-62 Slip Compensation | 2-04 DC Brake Cut In Speed |
| 0-5* Copy/Save | [10] 2.20 kW-3.00 hp | -400–399% *100% | 0.0–400.0 Hz *0.0Hz |
| 0-50 LCP Copy | [11] 3.00 kW-4.00 hp | 1-63 Slip Compensation Time Constant | 2-1* Brake Energy Funct. |
| *[0] No copy | [12] 3.70 kW-5.00 hp | | 2-10 Brake Function |
| [1] All to LCP | [13] 4.00 kW-5.40 hp | | *[0] Off |
| [2] All from LCP | [14] 5.50 kW-7.50 hp | | [1] Resistor brake |
| [3] Size indep. from LCP | [15] 7.50 kW-10.00 hp | | [2] AC brake |
| 0-51 Set-up Copy | [16] 11.00 kW-15.00 hp | | 2-11 Brake Resistor (ohm) |
| | [17] 15.00 kW-20.00 hp | | |

Table 7: Parameter List

| | | | |
|--|---|---|---|
| Min/Max/default: Powersize dep. 2-14 Brake Voltage reduce 0-100 *0 2-16 AC Brake, Max current 0-150% *100% 2-17 Overvoltage Control * [0] Disabled [1] Enabled (not at stop) [2] Enabled 2-2* Mechanical Brake 2-20 Release Brake Current 0.00–100.0 A *0.00 A 2-22 Activate Brake Speed [Hz] 0.0–400.0 Hz *0.0 Hz 3-** Reference / Ramps 3-0* Reference Limits 3-00 Reference Range * [0] Min - Max [1] -Max - +Max 3-02 Minimum Reference -4999–4999 *0.000 3-03 Maximum Reference -4999–4999 *50.00 3-1* References 3-10 Preset Reference -100.0–100.0% *0.00% 3-11 Jog Speed [Hz] 0.0–400.0 Hz *5.0 Hz 3-12 Catch up/slow Down Value 0.00–100.0% * 0.00% 3-14 Preset Relative Reference -100.0–100.0% *0.00% 3-15 Reference Resource 1 [0] No function * [1] Analog Input 53 [2] Analog input 60 [8] Pulse input 33 [11] Local bus reference [21] LCP Potentiometer 3-16 Reference Resource 2 [0] No function [1] Analog in 53 * [2] Analog in 60 [8] Pulse input 33 [11] Local bus reference | [21] LCP Potentiometer 3-17 Reference Resource 3 [0] No function [1] Analog Input 53 [2] Analog input 60 [8] Pulse input 33 * [11] Local bus reference [21] LCP Potentiometer 3-18 Relative Scaling Reference Resource * [0] No function [1] Analog in 53 [2] Analog in 60 [8] Pulse input 33 [11] Local bus reference [21] Lcp Potentiometer 3-4* Ramp 1 3-40 Ramp 1 Type * [0] Linear [2] Sine2 ramp 3-41 Ramp 1 Ramp up Time 0.05–3600 s *3.00 s (10.00s) ⁽¹⁾ 3-42 Ramp 1 Ramp Down Time 0.05–3600 s *3.00s (10.00s) ⁽¹⁾ 3-5* Ramp 2 3-50 Ramp 2 Type * [0] Linear [2] Sine2 ramp 3-51 Ramp 2 Ramp up Time 0.05–3600 s *3.00s (10.00s) ⁽¹⁾ 3-52 Ramp 2 Ramp down Time 0.05–3600 s *3.00s (10.00s) ⁽¹⁾ 3-8* Other Ramps 3-80 Jog Ramp Time 0.05–3600 s *3.00s (10.00s) ⁽¹⁾ 3-81 Quick Stop Ramp Time 0.05–3600 s *3.00 s (10.00s) ⁽¹⁾ 4-** Limits/Warnings 4-1* Motor Limits 4-10 Motor Speed Direction [0] Clockwise [1] Counter clockwise * [2] Both directions 4-12 Motor Speed Low Limit [Hz] 0.0–400.0 Hz *0.0 Hz | 4-14 Motor Speed High Limit [Hz] 0.1–400.0 Hz *65.0 Hz 4-16 Torque Limit Motor Mode 0–400% *150% 4-17 Torque Limit Generator Mode 0–400% *100% 4-4* Adj. Warnings 2 4-40 Warning Freq. Low 0.00–Value of 4-41 Hz *0.0 Hz 4-41 Warning Freq. High Value of 4-40–400.0 Hz *400.00 Hz 4-5* Adj. Warnings 4-50 Warning Current Low 0.00–100.00 A *0.00 A 4-51 Warning Current High 0.0–100.00 A *100.00 A 4-54 Warning Reference Low -4999.000–Value of 4-55 * -4999.000 4-55 Warning Reference High Value of 4-54–4999.000 *4999.000 4-56 Warning Feedback Low -4999.000–Value of 4-57 * -4999.000 4-57 Warning Feedback High Value of 4-56–4999.000 *4999.000 4-58 Missing Motor Phase Function [0] Off * [1] On 4-6* Speed Bypass 4-61 Bypass Speed From [Hz] 0.0–400.0 Hz *0.0 Hz 4-63 Bypass Speed To [Hz] 0.0–400.0 Hz *0.0 Hz 5-** Digital In/Out 5-1* Digital Inputs 5-10 Terminal 18 Digital Input [0] No function [1] Reset [2] Coast inverse [3] Coast and reset inverse [4] Quick stop inverse | [5] DC-brake inverse [6] Stop inverse * [8] Start [9] Latched start [10] Reversing [11] Start reversing [12] Enable start forward [13] Enable start reverse [14] Jog [16-18] Preset ref bit 0-2 [19] Freeze reference [20] Freeze output [21] Speed up [22] Speed down [23] Set-up select bit 0 [28] Catch up [29] Slow down [34] Ramp bit 0 [60] Counter A (up) [61] Counter A (down) [62] Reset counter A [63] Counter B (up) [64] Counter B (down) [65] Reset counter B 5-11 Terminal 19 Digital Input See par. 5-10. * [10] Reversing 5-12 Terminal 27 Digital Input See par. 5-10. * [1] Reset 5-13 Terminal 29 Digital Input See par. 5-10. * [14] Jog 5-15 Terminal 33 Digital Input See par. 5-10. * [16] Preset ref bit 0 [26] Precise Stop Inverse [27] Start, Precise Stop inverse [32] Pulse Input 5-3* Digital Outputs 5-34 On Delay, Terminal 42 Digital Output 0.00–600.00 s * 0.01 s 5-35 Off Delay, Terminal 42 Digital Output 0.00–600.00 s * 0.01 s 5-4* Relays 5-40 Function Relay * [0] No operation [1] Control ready [2] Drive ready |
|--|---|---|---|

¹ M4 and M5 only.

Table 8: Parameter List

| | | | |
|---------------------------------------|--|--|---|
| [3] Drive ready/remote control | 21–5000 Hz *5000 Hz | 6-25 Terminal 60 High Ref./ Feedb. Value | 7-30 Process PI Normal/ Inverse Control |
| [4] Enable/no warning | 5-57 Terminal 33 Low Ref./ Feedb. Value | -4999–4999 *50.00 | *[0] Normal |
| [5] VLT running | -4999–4999 *0.000 | 6-26 Terminal 60 Filter Time Constant | [1] Inverse |
| [6] Running/no warning | 5-58 Terminal 33 High Ref./ Feedb. Value | 0.01–10.00 s *0.01 s | 7-31 Process PI Anti Windup |
| [7] Run in range/no warning | -4999–4999 *50.000 | 6-8* LCP potmeter | [0] Disable |
| [8] Run on ref/no warning | 6-** Analog In/Out | 6-80 LCP Potmeter Enable | *[1] Enable |
| [9] Alarm | 6-0* Analog I/O Mode | [0] Disabled | 7-32 Process PI Start Speed |
| [10] Alarm or warning | 6-00 Live Zero Timeout Time | *[1] Enable | 0.0–200.0 Hz *0.0 Hz |
| [12] Out of current range | 1-99 s *10 s | 6-81 LCP potmeter Low Ref. | 7-33 Process PI Proportional Gain |
| [13] Below current, low | 6-01 Live Zero TimeoutFunction | -4999–4999 *0.000 | 0.00–10.00 *0.01 |
| [14] Above current, high | *[0] Off | 6-82 LCP potmeter High Ref. | 7-34 Process PI Integral Time |
| [16] Below frequency, low | [1] Freeze output | -4999–4999 *50.00 | 0.10–9999.00 s *9999.00 s |
| [17] Above frequency, high | [2] Stop | 6-9* Analog Output xx | 7-38 Process PI Feed Forward Factor |
| [19] Below feedback, low | [3] Jogging | 6-90 Terminal 42 Mode | 0–400% *0% |
| [20] Above feedback, high | [4] Max. speed | *[0] 0-20 mA | 7-39 On Reference Bandwidth |
| [21] Thermal warning | [5] Stop and trip | [1] 4-20 mA | 0–200% *5% |
| [22] Ready, no thermal warning | 6-1* Analog Input 1 | [2] Digital Output | 8-** Comm. and Options |
| [23] Remote ready, no thermal warning | 6-10 Terminal 53 Low Voltage | 6-91 Terminal 42 Analog Output | 8-0* Comm. General Settings |
| [24] Ready, Voltage OK | 0.00–10.00 V *0.07 V | *[0] No operation | 8-01 Control Site |
| [25] Reverse | 6-11 Terminal 53 High Voltage | [10] Output Frequency | *[0] Digital and ctrl.word |
| [26] Bus OK | 0.01–10.00 V *10.00 V | [11] Reference | [1] Digital only |
| [28] Brake, no brake warning | 6-12 Terminal 53 Low Current | [12] Feedback | [2] Controlword only |
| [29] Brake ready, no fault | 0.00-20.00 *0.14 | [13] Motor Current | 8-02 Control Word Source |
| [30] BrakeFault (IGBT) | 6-13 Terminal 53 High Current | [16] Power | [0] None |
| [32] Mech brake control | 0.01–20.00 mA *20.00 mA | [19] DC Link Voltage | *[1] FC RS485 |
| [36] Control word bit 11 | 6-14 Terminal 53 Low Ref./ Feedb. Value | [20] Bus Reference | 8-03 Control Word Timeout Time |
| [41] Below reference, low | -4999-4999 *0.000 | 6-92 Terminal 42 Digital Output | 0.1–6500.0 s *1.0 s |
| [42] Above reference, high | 6-15 Terminal 53 High Ref./ Feedb. Value | See parameter 5-40 | 8-04 Control Word Timeout Function |
| [51] Local ref. active | -4999-4999 *50.000 | *[0] No Operation | *[0] Off |
| [52] Remote ref. active | 6-16 Terminal 53 Filter Time Constant | [80] SL Digital Output A | [1] Freeze Output |
| [53] No alarm | 0.01–10.00 s *0.01 s | 6-93 Terminal 42 Output Min Scale | [2] Stop |
| [54] Start command activ | 6-19 Terminal 53 mode | 0.00-200.0% *0.00% | [3] Jogging |
| [55] Running reverse | *[0] Voltage mode | 6-94 Terminal 42 Output Max Scale | [4] Max. Speed |
| [56] Drive in hand mode | [1] Current mode 4 | 0.00-200.0% *100.0% | [5] Stop and trip |
| [57] Drive in auto mode | 6-2* Analog Input 2 | 6-98 Drive Type | 8-06 Reset Control Word Timeout |
| [60-63] Comparator 0-3 | 6-21 Reserved for testing | 9-9 *9 | *[0] No Function |
| [70-73] Logic rule 0-3 | 0-1 *0 | 7-** Controllers | [1] Do reset |
| [81] SL digital output B | 6-22 Terminal 60 Low Current | 7-2* Process Ctrl. Feedb | 8-3* FC Port Settings |
| 5-41 On Delay, Relay | 0.00–20.00 mA *0.14 mA | 7-20 Process CL Feedback 1 Resource | 8-30 Protocol |
| 0.00–600.00 s *0.01 s | 6-23 Terminal 60 High Current | *[0] No function | *[0] FC |
| 5-42 Off Delay, Relay | 0.00–20.00 mA *20.00 mA | [1] Analog in 53 | [2] Modbus RTU |
| 0.00–600.00 s *0.01 s | 6-24 Terminal 60 Low Ref./ Feedb. Value | [2] Analog in 60 | 8-31 Address |
| 5-5* Pulse Input | -4999-4999 *0.000 | [8] Pulse input 33 | 1-247 *1 |
| 5-55 Terminal 33 Low Frequency | | [11] Local bus | 8-32 FC Port Baud Rate |
| 20–4999 Hz *20 Hz | | 7-3* Process PI Ctrl. | [0] 2400 Baud |
| 5-56 Terminal 33 High Frequency | | | [1] 4800 Baud |

Table 9: Parameter List

| | | | |
|---|---|---|--|
| <p>*[2] 9600 Baud [3] 19200 Baud [4] 38400 Baud 8-33 FC Port Parity *[0] Even Parity, 1 Stop Bit [1] Odd Parity, 1 Stop Bit [2] No Parity, 1 Stop Bit [3] No Parity, 2 Stop Bits 8-35 Minimum Response Delay 0.001–0.500 *0.010 s 8-36 Max Response Delay 0.100–10.000 s *5.000 s 8-4* FC MC protocol set 8-42 FC Port PCD Write Configuration *[0] None [1] [302] Minimum Reference [2] [303] Maximum Reference [3] [312] Catch up/Slow Down Value [4] [341] Ramp 1 Ramp up time [5] [342] Ramp 1 Ramp down time [6] [351] Ramp 2 Ramp up time [7] [352] Ramp 2 Ramp down time [8] [380] Jog Ramp Time [9] [381] Quick Stop Time [10] [412] Motor Speed Low Limit [Hz] [11] [414] Motor Speed High Limit [Hz] [12] [416] Torque Limit Motor Mode [13] [417] Torque Limit Generator Mode [14] FC Port CTW [15] FC Port REF 8-43 FC Port PCD Read Configuration *[0] None [1] [1500] Operation Hours [2] [1501] Running Hours [3] [1502] kWh Counter [4] [1600] Control Word [5] [1601] Reference [Unit] [6] [1602] Reference % [7] [1603] Status Word [8] [1605] Main Actual Value [%]</p> | <p>[9] [1609] Custom Readout [10] [1610] Power [kW] [11] [1611] Power [hp] [12] [1612] Motor Voltage [13] [1613] Frequency [14] [1614] Motor Current [15] [1615] Frequency [%] [16] [1618] Motor Thermal [17] [1630] DC Link Voltage [18] [1634] Heatsink Temp. [19] [1635] Inverter Thermal [20] [1638] SL Controller State [21] [1650] External Reference [22] [1651] Pulse Reference [23] [1652] Feedback [Unit] [24] [1660] Digital Input 18, 19, 27, 33 [25] [1661] Digital Input 29 [26] [1662] Analog Input 53 (V) [27] [1663] Analog Input 53 (mA) [28] [1664] Analog Input 60 [29] [1665] Analog Output 42 [mA] [30] [1668] Freq. Input 33 [Hz] [31] [1671] Relay Output [bin] [32] [1672] Counter A [33] [1673] Counter B [34] [1690] Alarm Word [35] [1692] Warning Word [36] [1694] Ext. Status Word 8-5* Digital/Bus 8-50 Coasting Select [0] DigitalInput [1] Bus [2] Logic AND *[3] Logic OR 8-51 Quick Stop Select See par. 8-50 * [3] Logic OR 8-52 DC Brake Select See par. 8-50 *[3] Logic OR 8-53 Start Select See par. 8-50 *[3] Logic OR 8-54 Reversing Select See par. 8-50 *[3] Logic OR 8-55 Set-up Select See par. 8-50 *[3] Logic OR 8-56 Preset Reference Select See parameter 8-50 * [3] Logic OR</p> | <p>8-8* FC Port Diagnostics 8-80 Bus Message Count 0-65535 *0 8-81 Bus Error Count 0-65535 *0 8-82 Slave Messages Rcvd 0-65535 *0 8-83 Slave Error Count 0-65535 *0 8-9* Bus Jog / Feedback 8-94 Bus feedback 1 -32768-32767 *0 13-** Smart Logic 13-0* SLC Settings 13-00 SL Controller Mode *[0] Off [1] On 13-01 Start Event [0] False [1] True [2] Running [3] In range [4] On reference [7] Out of current range [8] Below I low [9] Above I high [16] Thermal warning [17] Mains out of range [18] Reversing [19] Warning [20] Alarm (trip) [21] Alarm (triplock) [22-25] Comparator 0-3 [26-29] Logic rule 0-3 [33] Digital input 18 [34] Digital input 19 [35] Digital input 27 [36] Digital input 29 [38] Digital input 33 *[39] Start command [40] Drive stopped 13-02 Stop Event See parameter 13-01 * [40] Drive stopped 13-03 Reset SLC *[0] Do not reset [1] Reset SLC 13-1* Comparators 13-10 Comparator Operand *[0] Disabled [1] Reference</p> | <p>[2] Feedback [3] Motor speed [4] Motor current [6] Motor power [7] Motor voltage [8] DC-link voltage [12] Analog in 53 [13] Analog in 60 [18] Pulse input 33 [20] Alarm number [30] Counter A [31] Counter B 13-11 Comparator Operator [0] Less Than *[1] Approx. Equal [2] Greater Than 13-12 Comparator Value -9999–9999 *0.0 13-2* Timers 13-20 SL Controller Timer 0.0–3600 s *0.0 s 13-4* Logic Rules 13-40 Logic Rule Boolean 1 See par. 13-01 *[0] False [30] - [32] SL Time-out 0-2 13-41 Logic Rule Operator 1 *[0] Disabled [1] AND [2] OR [3] AND NOT [4] OR NOT [5] NOT AND [6] NOT OR [7] NOT AND NOT [8] NOT OR NOT 13-42 Logic Rule Boolean 2 See par. 13-40 * [0] False 13-43 Logic Rule Operator 2 See par. 13-41 *[0] Disabled 13-44 Logic Rule Boolean 3 See par. 13-40 * [0] False 13-5* States 13-51 SL Controller Event See par. 13-40 *[0] False 13-52 SL Controller Action *[0] Disabled [1] No action [2] Select set-up 1 [3] Select set-up 2 [10-17] Select preset ref 0-7 [18] Select ramp 1</p> |
|---|---|---|--|

Table 10: Parameter List

| | | | |
|-----------------------------------|---|-----------------------------------|--|
| [19] Select ramp 2 | *[0] No action | 0-2000 *0 | 16-51 Pulse Reference |
| [22] Run | [1] Service reset | 15-97 Application Type | -200.0-200.0% *0.0 % |
| [23] Run reverse | 14-29 Service Code | 0-0xFFFFFFFF *0 | 16-52 Feedback |
| [24] Stop | 0-0x7FFFFFFF *0 | 15-98 Drive Identification String | -4999.000-4999.000 *0.000 |
| [25] Qstop | 14-4* Energy Optimising | 16-** Data Readouts | 16-6* Inputs/Outputs |
| [26] Dcstop | 14-41 AEO Minimum Magnetisation | 16-0* General Status | 16-60 Digital input 18, 19, 27, 33 |
| [27] Coast | 40-75 %*66 % | 16-00 Control Word | 0-0x1111 *0 |
| [28] Freeze output | 14-9* Fault Settings | 0-65535 *0 | 16-61 Digital input 29 |
| [29] Start timer 0 | 14-90 Fault level | 16-01 Reference [Unit] | 0-0x01 *0 |
| [30] Start timer 1 | *[3] Trip Lock | -4999.000-4999.000 *0.000 | 16-62 Analog Input 53 (V) |
| [31] Start timer 2 | [4] Trip with delayed reset | 16-02 Reference % | 0.00-10.00 V *0.00 V |
| [32] Set digital output A low | 15-** Drive Information | -200.0-200.0% *0.0% | 16-63 Analog Input 53 (mA) |
| [33] Set digital output B low | 15-0* Operating Data | 16-03 Status Word | 0.00-20.00 mA *0.00 mA |
| [38] Set digital output A high | 15-00 Operating Time | 0-65535 *0 | 16-64 Analog Input 60 |
| [39] Set digital output B high | 0-9999 *0 | 16-05 Main Actual Value [%] | 0.00-20.00 mA *0.00 mA |
| [60] Reset Counter A | 15-01 Running Hours | -200.0-200.0% *0.0% | 16-65 Analog Output 42 [mA] |
| [61] Reset Counter B | 0-60000 *0 | 16-09 Custom Readout | 0.00-20.00 mA *0.00 mA |
| 14-** Special Functions | 15-02 kWh Counter | Dep. on par. 0-31, 0-32 | 16-68 Pulse Input 33 |
| 14-0* Inverter Switching | 0-65535 *0 | 16-1* Motor Status | 20-5000 Hz *20 Hz |
| 14-01 Switching Frequency | 15-03 Power Up's | 16-10 Power [kW] | 16-71 Relay Output [bin] |
| [0] 2.0 kHz | 0-2147483647 *0 | 0.000-65.535 kW *0.000 kW | 0-1 *0 |
| *[1] 4.0 kHz | 15-04 Over Temp's | 16-11 Power [hp] | 16-72 Counter A |
| [2] 8.0 kHz | 0-65535 *0 | 0.000-65.535 Hp *0.000 Hp | -32768-32767 *0 |
| [4] 16.0 kHz | 15-05 Over Volt's | 16-12 Motor Voltage | 16-73 Counter B |
| 14-03 Overmodulation | 0-65535 *0 | 0-65535 V *0 V | -32768-32767 *0 |
| [0] Off | 15-06 Reset kWh Counter | 16-13 Frequency | 16-8* Fieldbus/FC Port |
| *[1] On | *[0] Do not reset | 0.0-6553.5 Hz *0.0 Hz | 16-86 FC Port REF 1 |
| 14-1* Mains monitoring | [1] Reset counter | 16-14 Motor Current | -32768-32767 *0 |
| 14-12 Function at Mains Imbalance | 15-07 Reset Running Hours Counter | 0.00-655.35 A *0.00 A | 0x8000-0x7FFF |
| *[0] Trip | *[0] Do not reset | 16-15 Frequency [%] | 16-9* Diagnosis Readouts |
| [1] Warning | [1] Reset counter | 0.0-6553.5% *0.0 % | 16-90 Alarm Word |
| [2] Disabled | 15-3* Fault Log | 16-18 Motor Thermal | 0-0xFFFFFFFFFUL *0 |
| 14-2* Trip Reset | 15-30 Fault Log: Error Code | 0-100 % *0 % | 16-92 Warning Word |
| 14-20 Reset Mode | 0-255 *0 | 16-3* Drive Status | 0-0x7FFFFFFFFFUL *0 |
| *[0] Manual reset | 15-4* Drive Identification | 16-30 DC Link Voltage | 16-94 Ext. Status Word |
| [1-10] Automatic reset x (1-10) | 15-40 FC Type | 0-65535 V *0 V | 0-0x7FFFFFFFFFUL *0 |
| [11] Automatic reset x 15 | 15-41 Power Section | 16-34 Heat sink Temp. | 18-** Extended Motor Data |
| [12] Automatic reset x 20 | 15-42 Voltage | 0-255 *0 | 18-8* Motor Resistors |
| [13] Infinite auto reset | 15-43 Software Version | 16-35 Inverter Thermal | 18-80 Stator Resistance (Rs in high resolution) |
| [14] Reset at power-up | 15-46 Frequency Converter Ordering No | 0-255% *0% | 0.000-99.990 ohm *0.000 ohm |
| 14-21 Automatic Restart Time | 15-48 LCP Id No | 16-36 Inv.Nom. Current | 18-81 Stator Leakage Reactance (X1 in high resolution) |
| 0-600s * 10s | 15-49 Software ID Control Card | 0.00-655.35 A *0.00 A | 0.000-999.900 ohm *0.000 ohm |
| 14-22 Operation Mode | 15-50 Software ID Power Card | 16-37 Inv. Max. Current | |
| *[0] Normal Operation | 15-51 Frequency Converter Serial Number | 0-255 *0 | |
| [2] Initialisation | 15-9* Parameter Info | 16-38 SL Controller State | |
| 14-26 Action At Inverter Fault | 15-92 Parameter List | 0-255 *0 | |
| [0] Trip | | 16-5* Ref./Feedb. | |
| *[1] Warning | | 16-50 External Reference | |
| 14-28 Production Settings | | -200.0-200.0% *0.0 % | |

6 Troubleshooting

6.1 Warnings and Alarms

Table 11: Warnings and Alarms

| Number | Description | Warning | Alarm | Trip lock | Error | Cause of problem |
|--------|----------------------------------|---------|-------|-----------|-------|--|
| 2 | Live zero error | X | X | – | – | Signal on terminal 53 or 54 is less than 50% of the value set in: <ul style="list-style-type: none"> • <i>Parameter 6-10 Terminal 53 Low Voltage.</i> • <i>Parameter 6-12 Terminal 53 Low Current.</i> • <i>Parameter 6-22 Terminal 54 Low Current.</i> |
| 4 | Mains phase loss ⁽¹⁾ | X | X | X | – | Missing phase on the supply side or too high voltage imbalance. Check the supply voltage. |
| 7 | DC overvoltage ⁽¹⁾ | X | X | – | – | DC-link voltage exceeds the limit. |
| 8 | DC undervoltage ⁽¹⁾ | X | X | – | – | DC-link voltage drops below voltage warning low-limit. |
| 9 | Inverter overload | X | X | – | – | More than 100% load for a long time. |
| 10 | Motor ETR overtemperature | X | X | – | – | Motor is too hot due to more than 100% load for a long time. |
| 11 | Motor thermistor overtemperature | X | X | – | – | Thermistor or thermistor connection is disconnected. |
| 12 | Torque limit | X | – | – | – | Torque exceeds value set in either <i>parameter 4-16 Torque Limit Motor Mode</i> or <i>parameter 4-17 Torque Limit Generator Mode</i> . |
| 13 | Overcurrent | X | X | X | – | Inverter peak current limit is exceeded. |
| 14 | Ground fault | X | X | X | – | Discharge from output phases to ground. |
| 16 | Short circuit | – | X | X | – | Short circuit in motor or on motor terminals. |
| 17 | Control word timeout | X | X | – | – | No communication to drive. |
| 25 | Brake resistor short-circuited | – | X | X | – | Brake resistor is short-circuited, thus the brake function is disconnected. |
| 27 | Brake chopper short-circuited | – | X | X | – | Brake transistor is short-circuited, thus the brake function is disconnected. |
| 28 | Brake check | – | X | – | – | Brake resistor is not connected/working. |
| 29 | Power board over temp | X | X | X | – | Heat sink cutout temperature has been reached. |
| 30 | Motor phase U missing | – | X | X | – | Motor phase U is missing. Check the phase. |
| 31 | Motor phase V missing | – | X | X | – | Motor phase V is missing. Check the phase. |
| 32 | Motor phase W missing | – | X | X | – | Motor phase W is missing. Check the phase. |
| 38 | Internal fault | – | X | X | – | Contact the local Danfoss supplier. |
| 47 | Control voltage fault | – | X | X | – | 24 V DC supply is overloaded. |

| Number | Description | Warning | Alarm | Trip lock | Error | Cause of problem |
|--------|--|---------|-------|-----------|-------|--|
| 51 | AMA check U_{nom} and I_{nom} | – | X | – | – | Wrong setting for motor voltage and/or motor current. |
| 52 | AMA low I_{nom} | – | X | – | – | The motor current is too low. Check the settings. |
| 59 | Current limit | X | – | – | – | The drive is overloaded. |
| 63 | Mechanical brake low | – | X | – | – | Actual motor current has not exceeded the release brake current within the start delay time window. |
| 80 | Drive initialized to default value | – | X | – | – | All parameter settings are initialized to default settings. |
| 84 | The connection between drive and LCP is lost | – | – | – | X | No communication between LCP and drive. |
| 85 | Key disabled | – | – | – | X | See <i>parameter group 0-4* LCP</i> . |
| 86 | Copy fail | – | – | – | X | An error occurred while copying from drive to LCP, or from LCP to drive. |
| 87 | LCP data invalid | – | – | – | X | Occurs when copying from LCP if the LCP contains erroneous data - or if no data was uploaded to the LCP. |
| 88 | LCP data not compatible | – | – | – | X | Occurs when copying from LCP if data are moved between drives with major differences in software versions. |
| 89 | Parameter read only | – | – | – | X | Occurs when trying to write to a read-only parameter. |
| 90 | Parameter database busy | – | – | – | X | LCP and RS485 connection are trying to update parameters simultaneously. |
| 91 | Parameter value is not valid in this mode | – | – | – | X | Occurs when trying to write an illegal value to a parameter. |
| 92 | Parameter value exceeds the minimum/maximum limits | – | – | – | X | Occurs when trying to set a value outside the range. |
| nw run | Not while running | – | – | – | X | Parameters can only be changed when the motor is stopped. |
| Err. | A wrong password was entered | – | – | – | X | Occurs when using a wrong password for changing a password-protected parameter. |

¹ These faults are caused by mains distortions. Install a Danfoss line filter to rectify this problem.

7 Specifications

7.1 Mains Supply 1x200–240 V AC

Table 12: Mains Supply 1x200–240 V AC

| Normal overload 150% for 1 minute | | | | | |
|---|----------------------------|---------------|-------------|-------------|---------------|
| Drive | PK18 | PK37 | PK75 | P1K5 | P2K2 |
| Typical shaft output [kW] | 0.18 | 0.37 | 0.75 | 1.5 | 2.2 |
| Typical shaft output [hp] | 0.25 | 0.5 | 1 | 2 | 3 |
| Enclosure protection rating IP20 | M1 | M1 | M1 | M2 | M3 |
| Output current | | | | | |
| Continuous (3x200–240 V AC) [A] | 1.2 | 2.2 | 4.2 | 6.8 | 9.6 |
| Intermittent (3x200–240 V AC) [A] | 1.8 | 3.3 | 6.3 | 10.2 | 14.4 |
| Maximum cable size | | | | | |
| (Mains, motor) [mm ² /AWG] | 4/10 | | | | |
| Maximum input current | | | | | |
| Continuous (1x200–240 V) [A] | 3.3 | 6.1 | 11.6 | 18.7 | 26.4 |
| Intermittent (1x200–240 V) [A] | 4.5 | 8.3 | 15.6 | 26.4 | 37 |
| Maximum mains fuses [A] | See <i>chapter Fuses</i> . | | | | |
| Environment | | | | | |
| Estimated power loss [W], Best case/typical ⁽¹⁾ | 12.5/ 15.5 | 20/ 25 | 36.5/ 44 | 61/ 67 | 81/ 85.1 |
| Weight enclosure IP20 [kg] | 1.1 | 1.1 | 1.1 | 1.6 | 3.0 |
| Efficiency [%], Best case/typical ⁽²⁾ | 95.6/ 94.5 | 96.5/ 95.6 | 96.6/ 96 | 97/ 96.7 | 96.9/ 97.1 |

¹ Applies for dimensioning of drive cooling. If the switching frequency is higher than the default setting, the power losses may increase. LCP and typical control card power consumptions are included. For power loss data according to EN 50598-2, refer to Danfoss [MyDrive® ecoSmart](#)

² Efficiency measured at nominal current. For energy efficiency class, see [8.12 Surroundings](#). For part load losses, see Danfoss [MyDrive® ecoSmart](#).

7.2 Mains Supply 3x200–240 V AC

Table 13: Mains Supply 3x200–240 V AC

| Normal overload 150% for 1 minute | | | | | | |
|-----------------------------------|------|------|------|------|------|------|
| Drive | PK25 | PK37 | PK75 | P1K5 | P2K2 | P3K7 |
| Typical shaft output [kW] | 0.25 | 0.37 | 0.75 | 1.5 | 2.2 | 3.7 |
| Typical shaft output [hp] | 0.33 | 0.5 | 1 | 2 | 3 | 5 |
| Enclosure protection rating IP20 | M1 | M1 | M1 | M2 | M3 | M3 |
| Output current | | | | | | |

| | | | | | | |
|---|----------------------------|---------------|---------------|---------------|---------------|---------------|
| Continuous (3x200–240 V AC) [A] | 1.5 | 2.2 | 4.2 | 6.8 | 9.6 | 15.2 |
| Intermittent (3x200–240 V AC) [A] | 2.3 | 3.3 | 6.3 | 10.2 | 14.4 | 22.8 |
| Maximum cable size | | | | | | |
| (Mains, motor) [mm ² /AWG] | 4/10 | | | | | |
| Maximum input current | | | | | | |
| Continuous (3x200–240 V) [A] | 2.4 | 3.5 | 6.7 | 10.9 | 15.4 | 24.3 |
| Intermittent (3x200–240 V) [A] | 3.2 | 4.6 | 8.3 | 14.4 | 23.4 | 35.3 |
| Maximum mains fuses [A] | See <i>chapter Fuses</i> . | | | | | |
| Environment | | | | | | |
| Estimated power loss [W], Best case/typical ⁽¹⁾ | 14/ 20 | 19/ 24 | 31.5/ 39.5 | 51/ 57 | 72/ 77.1 | 115/ 122.8 |
| Weight enclosure IP20 [kg] | 1.1 | 1.1 | 1.1 | 1.6 | 3.0 | 3.0 |
| Efficiency [%], Best case/typical ⁽²⁾ | 96.4/ 94.9 | 96.7/ 95.8 | 97.1/ 96.3 | 97.4/ 97.2 | 97.2/ 97.4 | 97.3/ 97.4 |

¹ Applies for dimensioning of drive cooling. If the switching frequency is higher than the default setting, the power losses may increase. LCP and typical control card power consumptions are included. For power loss data according to EN 50598-2, refer to Danfoss [MyDrive® ecoSmart](#).

² Efficiency measured at nominal current. For energy efficiency class, see [8.12 Surroundings](#). For part load losses, see Danfoss [MyDrive® ecoSmart](#).

7.3 Mains Supply 3x380–480 V AC

Table 14: Mains Supply 3x380–480 V AC

| Normal overload 150% for 1 minute | | | | | | |
|--|------|------|------|------|------|------|
| Drive | PK37 | PK75 | P1K5 | P2K2 | P3K0 | P4K0 |
| Typical shaft output [kW] | 0.37 | 0.75 | 1.5 | 2.2 | 3.0 | 4.0 |
| Typical shaft output [hp] | 0.5 | 1 | 2 | 3 | 4 | 5.5 |
| Enclosure protection rating IP20 | M1 | M1 | M2 | M2 | M3 | M3 |
| Output current | | | | | | |
| Continuous (3x380–440 V) [A] | 1.2 | 2.2 | 3.7 | 5.3 | 7.2 | 9.0 |
| Intermittent (3x380–440 V) [A] | 1.8 | 3.3 | 5.6 | 8.0 | 10.8 | 13.7 |
| Continuous (3x440–480 V) [A] | 1.1 | 2.1 | 3.4 | 4.8 | 6.3 | 8.2 |
| Intermittent (3x440–480 V) [A] | 1.7 | 3.2 | 5.1 | 7.2 | 9.5 | 12.3 |
| Maximum cable size | | | | | | |
| (Mains, motor) [mm ² /AWG] | 4/10 | | | | | |
| Maximum input current | | | | | | |
| Continuous (3x380–440 V) [A] | 1.9 | 3.5 | 5.9 | 8.5 | 11.5 | 14.4 |
| Intermittent (3x380–440 V) [A] | 2.6 | 4.7 | 8.7 | 12.6 | 16.8 | 20.2 |

| | | | | | | |
|---|----------------------------|---------------|---------------|---------------|--------------|----------------|
| Continuous (3x440–480 V) [A] | 1.7 | 3.0 | 5.1 | 7.3 | 9.9 | 12.4 |
| Intermittent (3x440–480 V) [A] | 2.3 | 4.0 | 7.5 | 10.8 | 14.4 | 17.5 |
| Maximum mains fuses [A] | See <i>chapter Fuses</i> . | | | | | |
| Environment | | | | | | |
| Estimated power loss [W], Best case/typical ⁽¹⁾ | 18.5/ 25.5 | 28.5/ 43.5 | 41.5/ 56.5 | 57.5/ 81.5 | 75/ 101.6 | 98.5/ 133.5 |
| Weight enclosure IP20 [kg] | 1.1 | 1.1 | 1.6 | 1.6 | 3.0 | 3.0 |
| Efficiency [%], Best case/typical ⁽²⁾ | 96.8/ 95.5 | 97.4/ 96 | 98/ 97.2 | 97.9/ 97.1 | 98/ 97.2 | 98/ 97.3 |

¹ Applies for dimensioning of drive cooling. If the switching frequency is higher than the default setting, the power losses may increase. LCP and typical control card power consumptions are included. For power loss data according to EN 50598-2, refer to Danfoss [MyDrive® ecoSmart](#).

² Efficiency measured at nominal current. For energy efficiency class, see [8.12 Surroundings](#). For part load losses, see Danfoss [MyDrive® ecoSmart](#).

Table 15: Mains Supply 3x380–480 V AC

| | | | | | | |
|--|----------------------------|-------------|-------------|-------------|-------------|-------------|
| Normal overload 150% for 1 minute | | | | | | |
| Drive | P5K5 | P7K5 | P11K | P15K | P18K | P22K |
| Typical shaft output [kW] | 5.5 | 7.5 | 11 | 15 | 18.5 | 22 |
| Typical shaft output [hp] | 7.5 | 10 | 15 | 20 | 25 | 30 |
| Enclosure protection rating IP20 | M3 | M3 | M4 | M4 | M5 | M5 |
| Output current | | | | | | |
| Continuous (3x380–440 V) [A] | 12 | 15.5 | 23 | 31 | 37 | 43 |
| Intermittent (3x380–440 V) [A] | 18 | 23.5 | 34.5 | 46.5 | 55.5 | 64.5 |
| Continuous (3x440–480 V) [A] | 11 | 14 | 21 | 27 | 34 | 40 |
| Intermittent (3x440–480 V) [A] | 16.5 | 21.3 | 31.5 | 40.5 | 51 | 60 |
| Maximum cable size | | | | | | |
| (Mains, motor) [mm ² /AWG] | 4/10 | | 16/6 | | | |
| Maximum input current | | | | | | |
| Continuous (3x380–440 V) [A] | 19.2 | 24.8 | 33 | 42 | 34.7 | 41.2 |
| Intermittent (3x380–440 V) [A] | 27.4 | 36.3 | 47.5 | 60 | 49 | 57.6 |
| Continuous (3x440–480 V) [A] | 16.6 | 21.4 | 29 | 36 | 31.5 | 37.5 |
| Intermittent (3x440–480 V) [A] | 23.6 | 30.1 | 41 | 52 | 44 | 53 |
| Maximum mains fuses [A] | See <i>chapter Fuses</i> . | | | | | |
| Environment | | | | | | |
| Estimated power loss [W], | 131/ | 175/ | 290/ | 387/ | 395/ | 467/ |

| | | | | | | |
|---|-------------|-------------|---------------|---------------|-------------|---------------|
| Best case/typical ⁽¹⁾ | 166.8 | 217.5 | 342 | 454 | 428 | 520 |
| Weight enclosure IP20 [kg] | 3.0 | 3.0 | – | – | – | – |
| Efficiency [%], Best case/typical ⁽²⁾ | 98/ 97.5 | 98/ 97.5 | 97.8/ 97.4 | 97.7/ 97.4 | 98.1/ 98 | 98.1/ 97.9 |

¹ Applies for dimensioning of drive cooling. If the switching frequency is higher than the default setting, the power losses may increase. LCP and typical control card power consumptions are included. For power loss data according to EN 50598-2, refer to Danfoss [MyDrive® ecoSmart](#).

² Efficiency measured at nominal current. For energy efficiency class, see [8.12 Surroundings](#). For part load losses, see Danfoss [MyDrive® ecoSmart](#).

8 General Technical Data

8.1 Protection and Features

- Electronic motor thermal protection against overload.
- Temperature monitoring of the heat sink ensures that the drive trips if there is overtemperature.
- The drive is protected against short circuits between motor terminals U, V, W.
- When a motor phase is missing, the drive trips and issues an alarm.
- When a mains phase is missing, the drive trips or issues a warning (depending on the load).
- Monitoring of the DC-link voltage ensures that the drive trips when the DC-link voltage is too low or too high.
- The drive is protected against ground faults on motor terminals U, V, W.

8.2 Mains Supply (L1/L, L2, L3/N)

Mains supply (L1/L, L2, L3/N)

| | |
|--|---|
| Supply voltage | 200–240 V ±10% |
| Supply voltage | 380–480 V ±10% |
| Supply frequency | 50/60 Hz |
| Maximum imbalance temporary between mains phases | 3.0% of rated supply voltage |
| True power factor | ≥0.4 nominal at rated load |
| Displacement power factor (cosφ) near unity | (>0.98) |
| Switching on input supply L1/L, L2, L3/N (power-ups) | Maximum 2 times/minute |
| Environment according to EN60664-1 | Overvoltage category III/pollution degree 2 |

The unit is suitable for use on a circuit capable of delivering not more than 100000 RMS symmetrical Amperes, 240/480 V maximum.

8.3 Motor Output (U, V, W)

| | |
|---------------------|--|
| Output voltage | 0–100% of supply voltage |
| Output frequency | 0–200 Hz (VVC ⁺), 0–400 Hz (u/f) |
| Switching on output | Unlimited |
| Ramp times | 0.05–3600 s |

8.4 Cable Length and Cross-section

| | |
|---|---|
| Maximum motor cable length, shielded/armored (EMC-correct installation) | 15 m (49 ft) |
| Maximum motor cable length, unshielded/unarmored | 50 m (164 ft) |
| Maximum cross-section to motor, mains | See <i>chapter Specifications</i> for more information. |
| Connection to load sharing/brake (M1, M2, M3) | 6.3 mm insulated Faston plugs |
| Maximum cross-section to load sharing/brake (M4, M5) | 16 mm ² /6 AWG |
| Maximum cross-section to control terminals, rigid wire | 1.5 mm ² /16 AWG (2x0.75 mm ²) |
| Maximum cross-section to control terminals, flexible cable | 1 mm ² /18 AWG |
| Maximum cross-section to control terminals, cable with enclosed core | 0.5 mm ² /20 AWG |
| Minimum cross-section to control terminals | 0.25 mm ² /24 AWG |

8.5 Digital Inputs (Pulse/encoder Inputs)

| | |
|---|--------------------|
| Programmable digital inputs (pulse/encoder) | 5 (1) |
| Terminal number | 18, 19, 27, 29, 33 |
| Logic | PNP or NPN |
| Voltage level | 0–24 V DC |

| | |
|--|-----------------------------|
| Voltage level, logic 0 PNP | <5 V DC |
| Voltage level, logic 1 PNP | >10 V DC |
| Voltage level, logic 0 NPN | >19 V DC |
| Voltage level, logic 1 NPN | <14 V DC |
| Maximum voltage on input | 28 V DC |
| Input resistance, R_i | Approximately 4000 Ω |
| Maximum pulse frequency at terminal 33 | 5000 Hz |
| Minimum pulse frequency at terminal 33 | 20 Hz |

8.6 Analog Inputs

| | |
|-----------------------------------|------------------------------|
| Number of analog inputs | 2 |
| Terminal number | 53, 60 |
| Voltage mode (terminal 53) | Switch S200=OFF(U) |
| Current mode (terminal 53 and 60) | Switch S200=ON(I) |
| Voltage level | 0–10 V |
| Input resistance, R_i | Approximately 10000 Ω |
| Maximum voltage | 20 V |
| Current level | 0/4–20 mA (scalable) |
| Input resistance, R_i | Approximately 200 Ω |
| Maximum current | 30 mA |

8.7 Analog Outputs

| | |
|---|-----------------------------------|
| Number of programmable analog outputs | 1 |
| Terminal number | 42 |
| Current range at analog output | 0/4–20 mA |
| Maximum load to common at analog output | 500 Ω |
| Maximum voltage at analog output | 17 V |
| Accuracy on analog output | Maximum error: 0.8% of full scale |
| Scan interval | 4 ms |
| Resolution on analog output | 8 bit |

8.8 RS485 Serial Communication

| | |
|-----------------|------------------------------------|
| Terminal number | 68 (P, TX+, RX+), 69 (N, TX-, RX-) |
| Terminal number | 61 common for terminals 68 and 69 |

8.9 Control Card, 24 V DC Output

| | |
|--------------------------|--------|
| Terminal number | 12 |
| Maximum load (M1 and M2) | 100 mA |
| Maximum load (M3) | 50 mA |
| Maximum load (M4 and M5) | 80 mA |

8.10 Relay Output

| | |
|--|-----------------------------|
| Programmable relay output | 1 |
| Relay 01 terminal number | 01–03 (break), 01–02 (make) |
| Maximum terminal load (AC-1) ⁽¹⁾ on 01–02 (NO) (Resistive load) | 250 V AC, 2 A |
| Maximum terminal load (AC-15) ⁽¹⁾ on 01–02 (NO) (Inductive load @ $\cos\phi$ 0.4) | 250 V AC, 0.2 A |

| | |
|--|---|
| Maximum terminal load (DC-1) ⁽¹⁾ on 01–02 (NO) (Resistive load) | 30 V DC, 2 A |
| Maximum terminal load (DC-13) ⁽¹⁾ on 01–02 (NO) (Inductive load) | 24 V DC, 0.1 A |
| Maximum terminal load (AC-1) ⁽¹⁾ on 01–03 (NC) (Resistive load) | 250 V AC, 2 A |
| Maximum terminal load (AC-15) ⁽¹⁾ on 01–03 (NC) (Inductive load @ cosφ 0.4) | 250 V AC, 0.2 A |
| Maximum terminal load (DC-1) ⁽¹⁾ on 01–03 (NC) (Resistive load) | 30 V DC, 2 A |
| Minimum terminal load on 01–03 (NC), 01–02 (NO) | 24 V DC 10 mA, 24 V AC 20 mA |
| Environment according to EN 60664-1 | Overvoltage category III/pollution degree 2 |

¹ IEC 60947 part 4 and 5.

8.11 Control Card, +10 V DC Output

| | |
|-----------------|---------------|
| Terminal number | 50 |
| Output voltage | 10.5 V ±0.5 V |
| Maximum load | 25 mA |

NOTICE

All inputs, outputs, circuits, DC supplies, and relay contacts are galvanically isolated from the supply voltage (PELV) and other high-voltage terminals.

8.12 Surroundings

| | |
|--|--|
| Enclosure protection rating | IP20 |
| Enclosure kit available | IP21, TYPE 1 |
| Vibration test | 1.0 g |
| Maximum relative humidity | 5–95% (IEC 60721-3-3; Class 3K3 (non-condensing) during operation) |
| Aggressive environment (IEC 60721-3-3), coated | Class 3C3 |
| Test method according to IEC 60068-2-43 H2S (10 days) | |
| Ambient temperature ⁽¹⁾ | Maximum 40 °C (104 °F) |
| Minimum ambient temperature during full-scale operation | 0 °C (32 °F) |
| Minimum ambient temperature at reduced performance | -10 °C (14 °F) |
| Temperature during storage/transport | -25 to +65/70 °C (-13 to +149/158 °F) |
| Maximum altitude above sea level without derating ⁽¹⁾ | 1000 m (3280 ft) |
| Maximum altitude above sea level with derating ⁽¹⁾ | 3000 m (9842 ft) |
| Safety standards | EN/IEC 61800-5-1, UL 508C |
| EMC standards, Emission | EN 61800-3, EN 61000-6-3/4, EN 55011, IEC 61800-3 |
| EMC standards, Immunity | EN 61800-3, EN 61000-6-1/2, EN 61000-4-2, EN 61000-4-3, EN 61000-4-4, EN 61000-4-5, EN 61000-4-6 |
| Energy efficiency class ⁽²⁾ | IE2 |

¹ Refer to *chapter Special Conditions* for:

- Derating for high ambient temperature.
- Derating for high altitude.

² Determined according to EN 50598-2 at:

- Rated load.
- 90% rated frequency.
- Switching frequency factory setting.
- Switching pattern factory setting.

9 Special Conditions

9.1 Derating for Ambient Temperature

The ambient temperature measured over 24 hours should be at least 5 °C (9 °F) lower than the maximum ambient temperature.

If the drive is operated at high ambient temperature, decrease the continuous output current.

The drive has been designed for operation at maximum 50 °C (122 °F) ambient temperature with 1 motor size smaller than nominal. Continuous operation at full load at 50 °C (122 °F) ambient temperature reduces the lifetime of the drive.

9.2 Derating for Low Air Pressure

The cooling capability of air is decreased at low air pressure.

⚠ CAUTION ⚠

INSTALLATION AT HIGH ALTITUDE

For altitudes above 2000 m (6560 ft), contact Danfoss regarding PELV.

Below 1000 m (3280 ft) altitude, no derating is necessary, but above 1000 m (3280 ft), decrease the ambient temperature or the maximum output current.

Decrease the output by 1% per 100 m (328 ft) altitude above 1000 m (3280 ft), or reduce the maximum ambient temperature by 1 °C (1.8 °F) per 200 m (656 ft).

9.3 Derating for Running at Low Speeds

When a motor is connected to a drive, check that the cooling of the motor is adequate.

A problem may occur at low speeds in constant torque applications. Running continuously at low speeds – less than half the nominal motor speed – may require extra air cooling. Alternatively, select a larger motor (1 size up).

10 Options and Spare Parts

10.1 List of Options and Spare Parts

Table 16: List of Options and Spare Parts

| Ordering number | Description |
|-----------------|---|
| 132B0100 | VLT® Control Panel LCP 11 w/o potentiometer |
| 132B0101 | VLT® Control Panel LCP 12 with potentiometer |
| 132B0102 | LCP Remote Mounting Kit , w/3 m (10 ft) cable, IP55 with LCP 11, IP21 with LCP 12 |
| 132B0103 | IP20 to NEMA Type 1 conversion kit, M1 |
| 132B0104 | IP20 to NEMA Type 1 conversion kit, M2 |
| 132B0105 | IP20 to NEMA Type 1 conversion kit, M3 |
| 132B0106 | Decoupling plate mounting kit, M1 and M2 |
| 132B0107 | Decoupling plate mounting kit, M3 |
| 132B0108 | IP20 to IP21/Type1 conversion kit, M1 |
| 132B0109 | IP20 to IP21/Type1 conversion kit, M2 |
| 132B0110 | IP20 to IP21/Type1 conversion kit, M3 |
| 132B0111 | DIN rail mounting kit, M1/M2 |
| 132B0120 | IP20 to Nema 1 conversion kit, M4 |
| 132B0121 | IP20 to Nema 1 conversion kit, M5 |
| 132B0122 | Decoupling plate mounting kit, M4, M5 |
| 132B0126 | Enclosure size M1 spare parts kits |
| 132B0127 | Enclosure size M2 spare parts kits |
| 132B0128 | Enclosure size M3 spare parts kits |
| 132B0129 | Enclosure size M4 spare parts kits |
| 132B0130 | Enclosure size M5 spare parts kits |
| 132B0131 | Blank cover |
| 130B2522 | VLT® Line Filter MCC 107 for 132F0001 |
| 130B2522 | VLT® Line Filter MCC 107 for 132F0002 |
| 130B2533 | VLT® Line Filter MCC 107 for 132F0003 |
| 130B2525 | VLT® Line Filter MCC 107 for 132F0005 |
| 130B2530 | VLT® Line Filter MCC 107 for 132F0007 |
| 130B2523 | VLT® Line Filter MCC 107 for 132F0008 |
| 130B2523 | VLT® Line Filter MCC 107 for 132F0009 |
| 130B2523 | VLT® Line Filter MCC 107 for 132F0010 |

| Ordering number | Description |
|-----------------|---------------------------------------|
| 130B2526 | VLT® Line Filter MCC 107 for 132F0012 |
| 130B2531 | VLT® Line Filter MCC 107 for 132F0014 |
| 130B2527 | VLT® Line Filter MCC 107 for 132F0016 |
| 130B2523 | VLT® Line Filter MCC 107 for 132F0017 |
| 130B2523 | VLT® Line Filter MCC 107 for 132F0018 |
| 130B2524 | VLT® Line Filter MCC 107 for 132F0020 |
| 130B2526 | VLT® Line Filter MCC 107 for 132F0022 |
| 130B2529 | VLT® Line Filter MCC 107 for 132F0024 |
| 130B2531 | VLT® Line Filter MCC 107 for 132F0026 |
| 130B2528 | VLT® Line Filter MCC 107 for 132F0028 |
| 130B2527 | VLT® Line Filter MCC 107 for 132F0030 |

Danfoss line filters and brake resistors are available upon request.

Index

| | | |
|--|----------------------------------|--------|
| + | Mains supply 3x200–240 V AC..... | 27 |
| +10 V DC output..... | Mains supply 3x380–480 V AC..... | 28, 29 |
| | Mechanical dimensions..... | 10 |
| 2 | Motor output (U, V, W)..... | 31 |
| 24 V DC output..... | Motor thermal protection..... | 8 |
| | | |
| A | N | |
| Additional resources..... | Navigation keys..... | 18 |
| Ambient temperature..... | Non-UL compliance..... | 12 |
| Analog input..... | | |
| | O | |
| B | Operation keys..... | 19 |
| Brake..... | Options and Spare Parts..... | 35 |
| Branch circuit protection..... | Overcurrent protection..... | 12 |
| | Overload protection..... | 31 |
| C | | |
| Cable length and cross-section..... | P | |
| Control card..... | Power circuit..... | 16 |
| | | |
| D | Q | |
| Derating for ambient temperature..... | Qualified personnel..... | 5, 7 |
| Derating for low air pressure..... | Quick Menu..... | 18 |
| Derating for running at low speed..... | | |
| Digital input..... | R | |
| Discharge time..... | Relay output..... | 32 |
| | Residual current devices..... | 8 |
| E | RS485..... | 32 |
| Energy efficiency..... | | |
| Energy efficiency class..... | S | |
| | Short-circuit protection..... | 11 |
| F | Side-by-side installation..... | 10 |
| Fuse..... | Status..... | 18 |
| | Surroundings..... | 33 |
| I | Switches | |
| Installation | Disconnect..... | 7 |
| Qualified personnel..... | Symbols..... | 7 |
| IT mains..... | | |
| | T | |
| L | Thermal protection..... | 5 |
| Leakage current..... | | |
| Load sharing..... | U | |
| | Unintended start..... | 7 |
| M | | |
| Main Menu..... | V | |
| Mains supply (L1/L, L2, L3/N)..... | Voltage | |
| Mains supply 1x200–240 V AC..... | Safety warning..... | 7 |
| | level..... | 31 |

Danfoss A/S
Ulsnaes 1
DK-6300 Graasten
vlt-drives.danfoss.com

Danfoss can accept no responsibility for possible errors in catalogs, brochures, and other printed material. Danfoss reserves the right to alter its products without notice. This also applies to products already on order provided that such alterations can be made without subsequential changes being necessary in specifications already agreed. All trademarks in this material are property of the respective companies. Danfoss and the Danfoss logotype are trademarks of Danfoss A/S. All rights reserved.

