

Repeater

KFD0-CS-Ex1.54

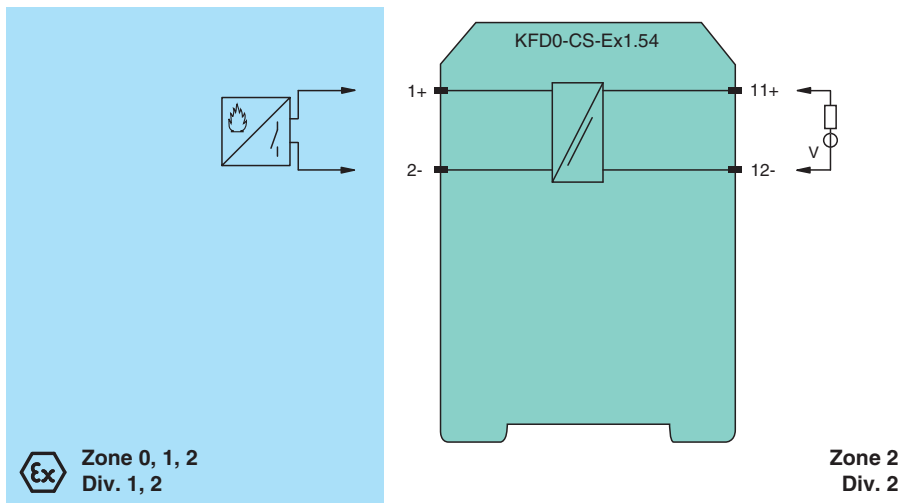
- 1-channel isolated barrier
- 24 V DC supply (loop powered)
- SMART fire alarm input
- Current input 1 mA ... 20 mA
- Up to SIL 3 acc. to IEC/EN 61508



Function

This isolated barrier is used for intrinsic safety applications. It provides control and signal transfer for SMART compatible fire and smoke alarm transmitters inside hazardous areas. Digital signals may be superimposed on the analog values in the hazardous or safe area and are transferred bidirectionally. The fall time of the digital signal must be less than 50 μ s, the current in the hazardous area must be bigger than 1 mA. Since this isolator is loop-powered, use the technical data to verify that proper voltage is available to the field devices.

Connection



Technical Data

| | |
|---|--|
| General specifications | |
| Signal type | Analog input |
| Functional safety related parameters | |
| Safety Integrity Level (SIL) | SIL 3 |
| Supply | |
| Rated voltage | U_r loop powered |
| Power dissipation | < 0.2 W for $U_{in} = 24$ V, $I_o = 20$ mA |
| Control circuit | |
| Connection | terminals 11+, 12- |
| Voltage | 0 ... 24 V for 4 V $\leq U_e \leq 24$ V: $\geq U_e - (0.41 \times \text{input current in mA}) - 0.5$ |
| Current | 0 ... 20 mA |

Release date: 2021-11-25 Date of issue: 2021-11-25 Filename: 207802_eng.pdf

Refer to "General Notes Relating to Pepperl+Fuchs Product Information".

Pepperl+Fuchs Group
www.pepperl-fuchs.com

USA: +1 330 486 0002
pa-info@us.pepperl-fuchs.com

Germany: +49 621 776 2222
pa-info@de.pepperl-fuchs.com

Singapore: +65 6779 9091
pa-info@sg.pepperl-fuchs.com



Technical Data

| | | | |
|--|----------------|--|--|
| Field circuit | | | |
| Connection | | terminals 1+, 2- | |
| Short-circuit current | | ≤ 65 mA | |
| Transmission range | | voltage: 4 ... 20 V DC/0 ... 6 V _{pp} AC current: 1 ... 20 mA | |
| Transfer characteristics | | | |
| Deviation | | | |
| After calibration | | ≤ 3.5 mA current loss at 20 mA load current | |
| Influence of ambient temperature | | ± 20 µA / K | |
| Rise time/fall time | | ≤ 50 µs (load current ≥ 1 mA) | |
| Galvanic isolation | | | |
| Input/Output | | safe electrical isolation acc. to IEC/EN 60079-11, voltage peak value 375 V | |
| Indicators/settings | | | |
| Labeling | | space for labeling at the front | |
| Directive conformity | | | |
| Electromagnetic compatibility | | | |
| Directive 2014/30/EU | | EN 61326-1:2013 (industrial locations) | |
| Conformity | | | |
| Electromagnetic compatibility | | NE 21:2006 | |
| Degree of protection | | IEC 60529:2001 | |
| Protection against electrical shock | | UL 61010-1 | |
| Ambient conditions | | | |
| Ambient temperature | | -20 ... 60 °C (-4 ... 140 °F) | |
| Mechanical specifications | | | |
| Degree of protection | | IP20 | |
| Connection | | screw terminals | |
| Mass | | approx. 100 g | |
| Dimensions | | 20 x 107 x 115 mm (0.8 x 4.2 x 4.5 inch) (W x H x D) , housing type B1 | |
| Mounting | | on 35 mm DIN mounting rail acc. to EN 60715:2001 | |
| Data for application in connection with hazardous areas | | | |
| EU-type examination certificate | | BAS 00 ATEX 7087 | |
| Marking | | Ⓜ II (1)GD, I (M1) [Ex ia Ga] IIC, [Ex ia Da] IIIC, [Ex ia Ma] I (-20 °C ≤ T _{amb} ≤ 60 °C) [circuit(s) in zone 0/1/2] | |
| Voltage | U _o | 28 V | |
| Current | I _o | 93 mA | |
| Power | P _o | 653 mW | |
| Supply | | | |
| Maximum safe voltage | U _m | 253 V (Attention! The rated voltage can be lower.) | |
| Certificate | | | |
| Marking | | Ⓜ II 3G Ex nA II T4 Gc [device in zone 2] | |
| Galvanic isolation | | | |
| Input/Output | | safe electrical isolation acc. to IEC/EN 60079-11, voltage peak value 375 V | |
| Directive conformity | | | |
| Directive 2014/34/EU | | EN 60079-0:2012+A11:2013 , EN 60079-11:2012 , EN 60079-15:2010 | |
| International approvals | | | |
| FM approval | | | |
| Control drawing | | 116-0129 (cFMus) | |
| UL approval | | | |
| Control drawing | | 116-0348 (cULus) | |
| IECEx approval | | | |
| IECEx certificate | | IECEx BAS 08.0079 IECEx BAS 10.0007X | |
| IECEx marking | | [Ex ia Ga] IIC , [Ex ia Da] IIIC , [Ex ia Ma] I Ex nA II T4 Gc | |

Release date: 2021-11-25 Date of issue: 2021-11-25 Filename: 207802_eng.pdf

Refer to "General Notes Relating to Pepperl+Fuchs Product Information".

Pepperl+Fuchs Group
www.pepperl-fuchs.comUSA: +1 330 486 0002
pa-info@us.pepperl-fuchs.comGermany: +49 621 776 2222
pa-info@de.pepperl-fuchs.comSingapore: +65 6779 9091
pa-info@sg.pepperl-fuchs.com

PEPPERL+FUCHS

Technical Data

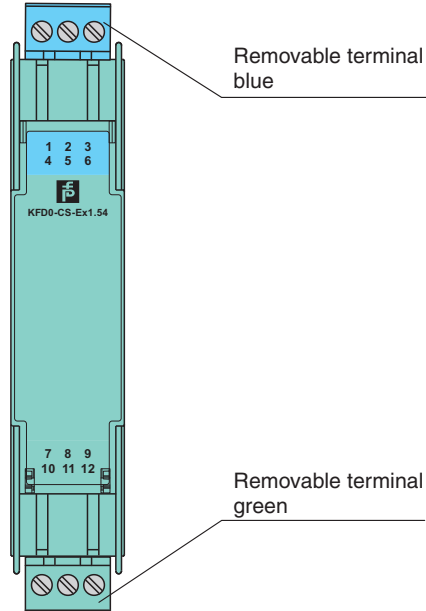
General information

Supplementary information

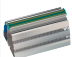
Observe the certificates, declarations of conformity, instruction manuals, and manuals where applicable. For information see www.pepperl-fuchs.com.

Assembly




Front view



Matching System Components

| | | |
|---|------------------|--|
|  | K-DUCT-BU | Profile rail, wiring comb field side, blue |
|---|------------------|--|

Accessories

| | | |
|---|------------------|--|
|  | KF-ST-5GN | Terminal block for KF modules, 3-pin screw terminal, green |
|  | KF-ST-5BU | Terminal block for KF modules, 3-pin screw terminal, blue |
|  | KF-CP | Red coding pins, packaging unit: 20 x 6 |

Release date: 2021-11-25 Date of issue: 2021-11-25 Filename: 207802_eng.pdf