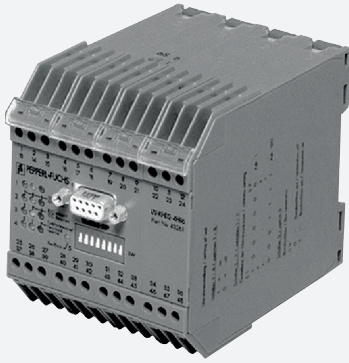


Control interface unit IRI-KHD2-4HB6



- PROFIBUS DP acc. to EN 50170
- 4 read heads can be connected
- Transmission of all read fix codes in one cycle
- Address adjustment via DIP switches
- Connectable bus termination
- 3 LEDs per read head for function indication
- LED for power on / bus communication

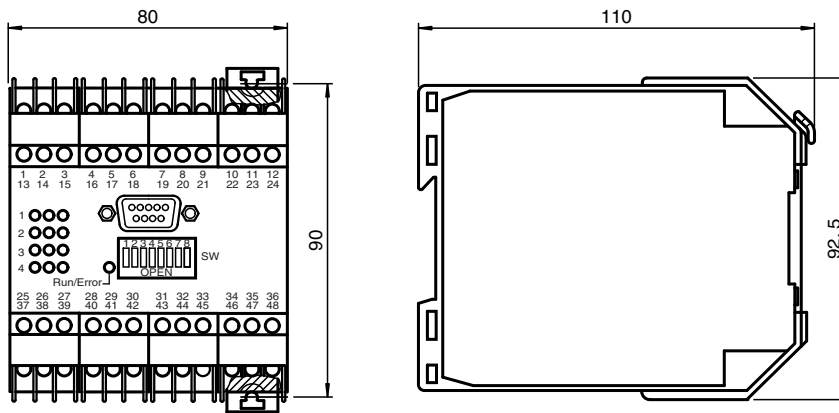
Control interface unit System IV with PROFIBUS DP interface



Function

The control interface unit is operated as a slave on the PROFIBUS DP. Up to 4 read heads can be connected to the control interface unit. All read heads connected to the device are detected and the codes which are read in transmitted in a cycle. The address is set via DIP switches, and the terminating resistor for the bus is connected via a rotary switch.

Dimensions



Technical Data

General specifications

Number of reading heads max. 4

Indicators/operating means

LED green	read head active (4 LEDs, 1 per head)
LED yellow	code carrier detected (4 LEDs, 1 per head)
LED red	reserved (4 LEDs, 1 per head)
LED red/green	device status permanent green: device operating / bus communication active red-green flashing: device operational / bus communication faulty permanent red: device errors
DIP switch	setting the station address

Release date: 2020-03-31 Date of issue: 2020-03-31 Filename: 050807_eng.pdf

Refer to "General Notes Relating to Pepperl+Fuchs Product Information".

Pepperl+Fuchs Group
www.pepperl-fuchs.com

USA: +1 330 486 0001
fa-info@us.pepperl-fuchs.com

Germany: +49 621 776 1111
fa-info@de.pepperl-fuchs.com

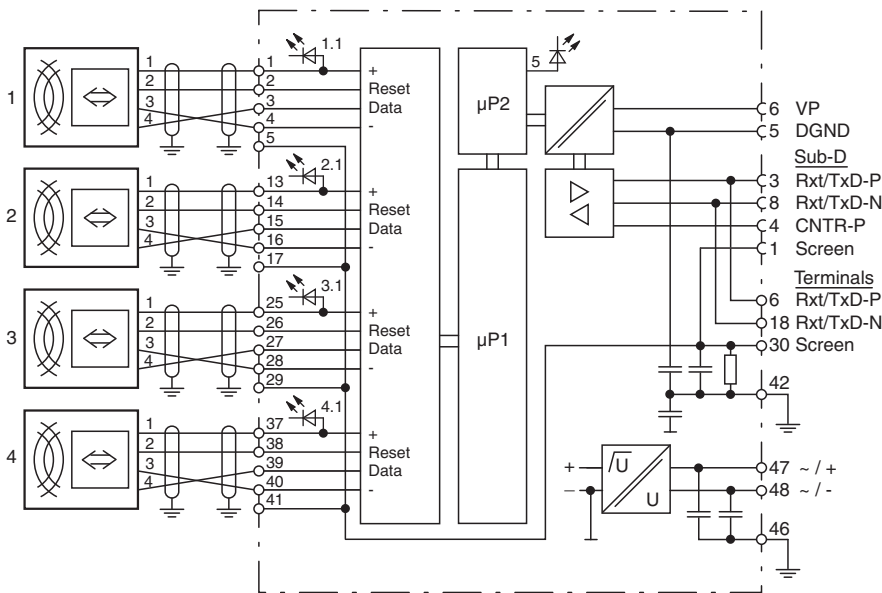
Singapore: +65 6779 9091
fa-info@sg.pepperl-fuchs.com

PF PEPPERL+FUCHS

Technical Data

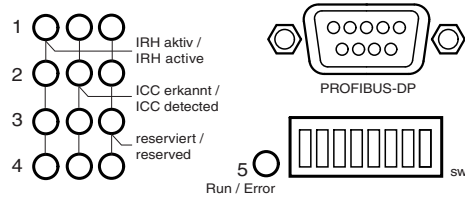
Rotary switch		bus termination 0 = not active 1 = active
Electrical specifications		
Rated operating voltage	U_e	18 ... 30 V DC , ripple 10 % _{SS}
No-load supply current	I_0	≤ 120 mA , with active read head 190 mA
Current consumption		250 mA
Power consumption	P_0	6 W
Interface		
Physical		RS-485
Protocol		PROFIBUS DP acc. to EN 50170
Transfer rate		9.6 ; 19.2 ; 44.44 ; 93.75 ; 187.5 ; 500 ; 1500 Bit/s (planned 12000) all self synchronising
Ambient conditions		
Ambient temperature		-25 ... 70 °C (-13 ... 158 °F)
Storage temperature		-25 ... 85 °C (-13 ... 185 °F)
Climatic conditions		air humidity max. 75 %
Mechanical specifications		
Degree of protection		IP20 according to EN 60529
Connection		terminals, max. core cross section 2 x 2.5 mm ² , 9-pin Sub-D built-in connector
Material		
Housing		Makrolon 6485
Construction type		K-System, 80 mm (4 TE)

Connection



Release date: 2020-03-31 Date of issue: 2020-03-31 Filename: 050807_eng.pdf

Assembly



Release date: 2020-03-31 Date of issue: 2020-03-31 Filename: 050807_eng.pdf

Refer to "General Notes Relating to Pepperl+Fuchs Product Information".

Pepperl+Fuchs Group
www.pepperl-fuchs.com

USA: +1 330 486 0001
fa-info@us.pepperl-fuchs.com

Germany: +49 621 776 1111
fa-info@de.pepperl-fuchs.com

Singapore: +65 6779 9091
fa-info@sg.pepperl-fuchs.com